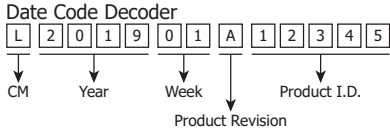
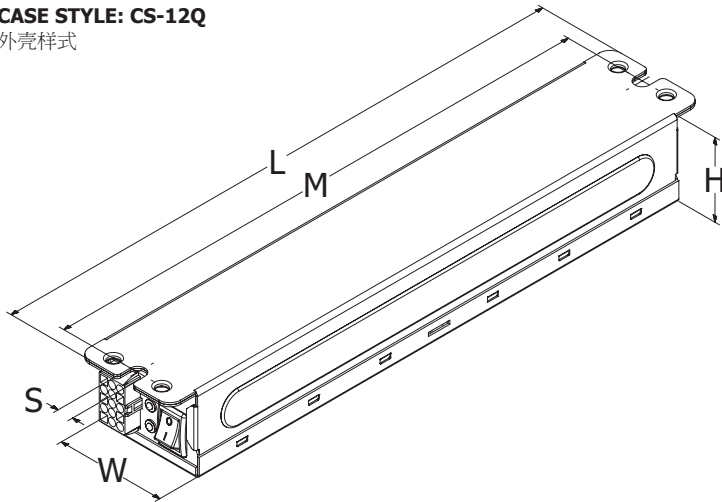


IAQ164G6MV

Click on image to view 3D model
(Download and Open in Adobe Reader 7 or later)



CASE STYLE: CS-12Q
外壳样式

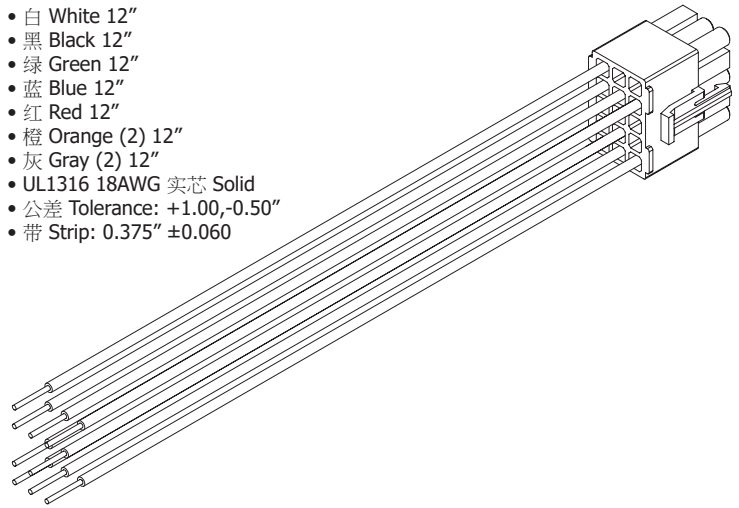


L	W	H	M	S
11-11/16	2-5/32	1-5/8	11-1/8	5/16
11.69	2.17	1.61	11.10	0.32
29.7cm	5.5cm	4.1cm	28.2cm	0.81cm

INPUT/OUTPUT WIRE HARNESS (3P50104)

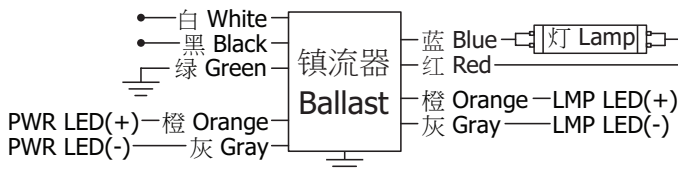
输入/输出线束

- 白 White 12"
- 黑 Black 12"
- 绿 Green 12"
- 蓝 Blue 12"
- 红 Red 12"
- 橙 Orange (2) 12"
- 灰 Gray (2) 12"
- UL1316 18AWG 实芯 Solid
- 公差 Tolerance: +1.00,-0.50"
- 带 Strip: 0.375" ±0.060



WIRING DIAGRAM: WD-042

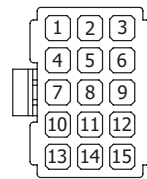
接线图



For 1 Lamp Application Cap Any Unused Leads, Insulate to 600 Volts.

CONNECTOR WIRE LAYOUT

连接器线布局



- | | |
|---------------------------|----------------------------|
| 1. 绿 Green (地线 Ground) | 9. NC |
| 2. 黑 Black (火线 Live) | 10. 红 Red (灯 Lamp) |
| 3. 橙 Orange (输入 PWR LED+) | 11. 蓝 Blue (灯 Lamp) |
| 4. NC | 12. 橙 Orange (输出 LMP LED+) |
| 5. 白 White (零线 Neutral) | 13. NC |
| 6. 灰 Gray (输入 PWR Led-) | 14. NC |
| 7. NC | 15. 灰 Gray (输出 LMP LED-) |
| 8. NC | |

WARRANTY:

Robertson Worldwide warrants to the purchaser that this product will be free from defects in material or workmanship for a period of 5 years from date of manufacture when properly installed and under normal condition of use. Specifications subject to change without notice.

For more information on Robertson Worldwide products, visit www.RobertsonLighting.com