

INTELLIGENT DISINFECTION ROBOT

Haze Bot Atomizing Disinfection Robot

The Haze Bot Atomizing Disinfection robot effectively purifies the air by rapidly atomizing the disinfectant and spraying the area to be disinfected automatically. It can be controlled by its app, allowing contactless disinfection. Its ease of use makes it simple to deploy and easy to maintain and manage.

PRODUCT FEATURES

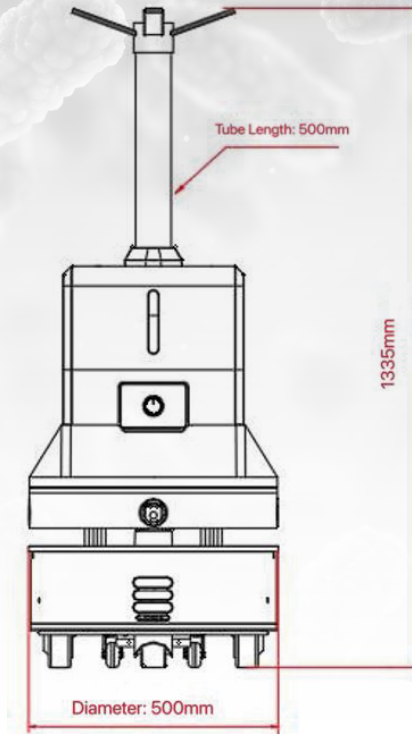
- + **RAPID DISINFECTION**
Disinfects an area of 1000 SQM in just 150 mins.
- + **FUNCTIONS NON-STOP**
It can be deployed 24X7, which comes handy in time-critical situations.
- + **ENSURES ALL ROUND SAFETY**
Unlike Human sanitization workers, it doesn't miss a spot.
- + **INTELLIGENT CHARGING**
It doesn't require human intervention to recharge.
- + **CONTACTLESS CONTROLS**
Disinfection schedules can be set using an app, reducing human contact.
- + **INTELLIGENT NAVIGATION**
Uses laser-guided navigation to detect obstacles and operate efficiently without getting stuck.

PRODUCT SPECIFICATIONS

PARAMETERS	INDEX
Navigation	Autonomous Path Planning
Charging Method	Autonomous charging
Spray Efficiency	3000 ml / Heavy fog
Liquid Volume	16 L
Supported Disinfection Solutions	Sodium hypochlorite, hydrogen peroxide, peroxyacetic acid, etc.
Moving speed	0 - 1m / s
Working Time	6 Hours (autonomous recharge)
Controls	Voice Intercom, Remote Control
Safety Measures	Laser and radar obstacle avoidance Liquid shortage and power cut protection
Obstacle Crossing and Grade Ability	± 10 mm, ≤ 8°

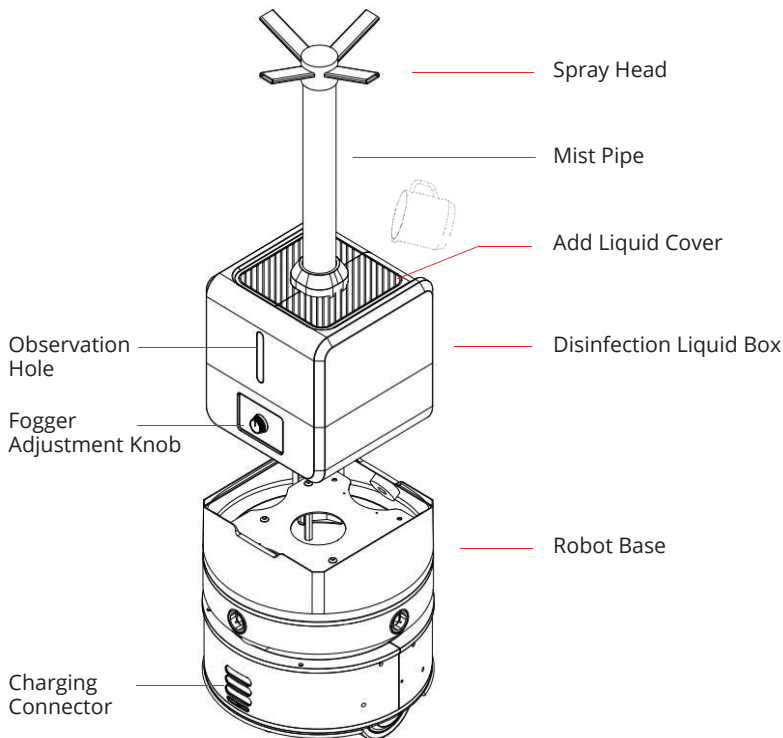


PRODUCT DIMENSIONS



PRODUCT PARTS DETAILS

Front Functional Parts



Back Functional Parts

