

## SWP01 Solar LED Wall Pack

### Outdoor Wall-Mounted Luminaires

#### OVERVIEW

<b>Wattage (W)</b>	5/8W Selectable 10/15W Selectable
<b>Lumen Package (lm)</b>	1,150 to 3,450 lm
<b>Color Temperature (CCT)</b>	3000K/4000K Selectable
<b>Efficacy (lm/W)</b>	230 lm/W



SWP01-15WCS-50B



SWP01-15WCS-50F

#### DETAILS

This wall-mounted solar LED fixture delivers dependable outdoor illumination without wiring or trenching. Designed for optimal energy efficiency, it pairs a 50W bifacial mono-crystalline solar panel with a high-capacity LiFePO battery. With selectable brightness, dual CCT options, and smart time-based dimming, this luminaire provides consistent dusk-to-dawn performance for pathways, building perimeters, and remote installations.

#### KEY FEATURES

- Color & Wattage Selectable
- Efficient Dimming: Up to 2 days per charge
- Optional Flexible Solar Panel
- Built Tough: IP65, IK08 rated build
- 3m (9.8 ft) Cord

#### APPLICATIONS

Engineered for outdoor & off-grid locations, such as:

- Building Entrances
- Pathways & Perimeters
- Storage Units
- Temporary Work Zones
- Mobile Structures
- Off-Grid Environments

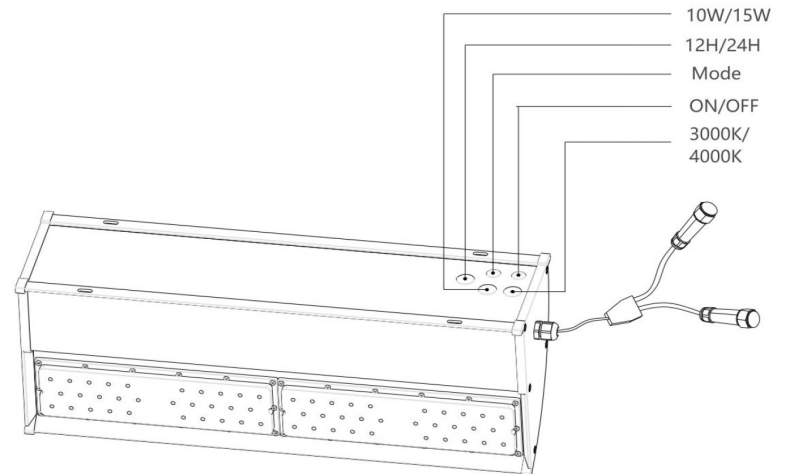
#### QUICK SHIP ORDERING GUIDE

SKU Root	Wattage / Lumens	CCT	Solar
SWP01-	15W - 10/15W Selectable, 2,300 to 3,450 lumens	CS - 3000K/4000K Selectable	-50B - 50W Bifacial Solar Panel -50F - 50W Flexible Solar Panel

Example: **SWP01-15WCS-50B**

#### DIP SWITCH

Selectable power, CCT and mode. (Details in Specifications.)



# SWP01 Solar LED Wall Pack

## Outdoor Wall-Mounted Luminaires

### SPECIFICATIONS

<b>Wattage &amp; Lumens</b>	5/8W Selectable, 1,150 to 1,840 lumens 10/15W Selectable, 2,300 to 3,450 lumens
<b>Efficacy</b>	230 lm/W
<b>CCT</b>	3000K/4000K Selectable
<b>CRI (Ra)</b>	70
<b>Controls</b>	CCT & Power Selectable Timer Dimming
<b>Battery Type</b>	LiFePO4
<b>Battery Capacity</b>	8W: 12.8V/12AH 15W: 12.8V/24AH
<b>Solar Panel Type</b>	Mono-Crystalline Bifacial Solar Panel with 3m (9.8 ft) Cord
<b>Solar Panel Wattage</b>	8W: 18V/25W 15W: 18V/50W
<b>Charging Time</b>	6-7 hours*
<b>Operating Time</b>	Time Control: 1-2 Days*
<b>Solar Charge Controller</b>	MPPT
<b>Working Mode</b>	12H Work Mode First Hour 100% Brightness 2nd Hour 80% 3rd-4th Hour 60% 5th Hour Till Dawn 20% 24H Work Mode - On Demand Lighting, Switch Accessory Required
<b>LED Type</b>	LED 5050
<b>Average Lifetime</b>	L70: 50,000 hours
<b>Beam Angle</b>	90°
<b>Mounting</b>	Wall Mount
<b>Operating Temperature</b>	-20°C to 60°C (-4°F to 140°F) Battery Charging Temperature: 0°C to 45°C (32°F to 113°F)
<b>Material</b>	Aluminum Housing, Polycarbonate Optical Lens, LiFePO4 Battery, Mono-crystalline Solar Panel
<b>Fixture Color</b>	Black
<b>IP Rating</b>	IP65
<b>IK Rating</b>	IK08
<b>Warranty</b>	5 Years

\*Performance based on ideal conditions - solar lights are heavily affected by sunlight levels temperatures, snow, dirt, and other conditions.

## SWP01 Solar LED Wall Pack

Outdoor Wall-Mounted Luminaires

### COMPLETE ORDERING GUIDE

Example: **SWP01-08WCS-25B**

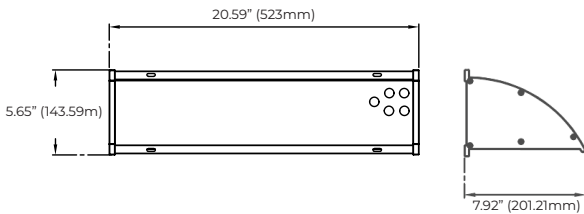
SKU Root	Wattage / Lumens	CCT	Solar
SWP01-	<b>08W</b> - 5/8W Selectable, 1,150 to 1,840 lumens	<b>CS</b> - 3000K/4000K Selectable	<b>-25B</b> - 25W Bifacial Solar Panel
	<b>15W</b> - 10/15W Selectable, 2,300 to 3,450 lumens		<b>-25F</b> - 25W Flexible Solar Panel
			<b>-50B</b> - 50W Bifacial Solar Panel
			<b>-50F</b> - 50W Flexible Solar Panel

\* Items in **GREEN** are Quick Ship. Items in **BLACK** are by special order.

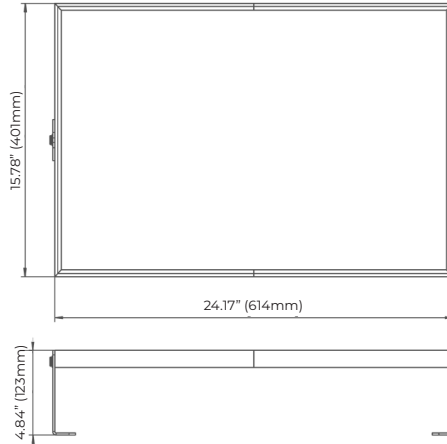
### PRODUCT DIMENSIONS

MODEL	10/15W
Product Dimension	20.59" x 7.92" x 5.65" (523 x 201.20 x 143.59 mm)
Solar Panel Dimension	24.17" x 15.78" x 4.84" (614 x 401 x 123 mm)
Flexible Solar Panel Dimension	22.63" x 11.14" x .10" (575 x 283 x 2.5 mm)
Luminaire Net Weight	19.84 lbs (9 kgs)

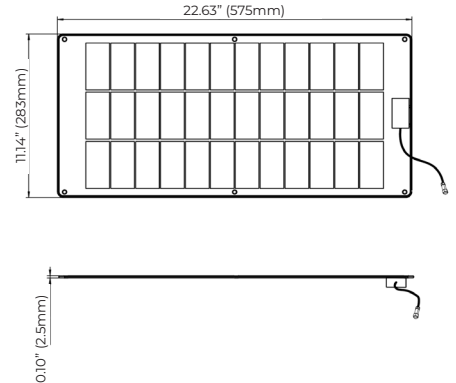
Wall Pack



Bifacial Solar Panel



Flexible Solar Panel



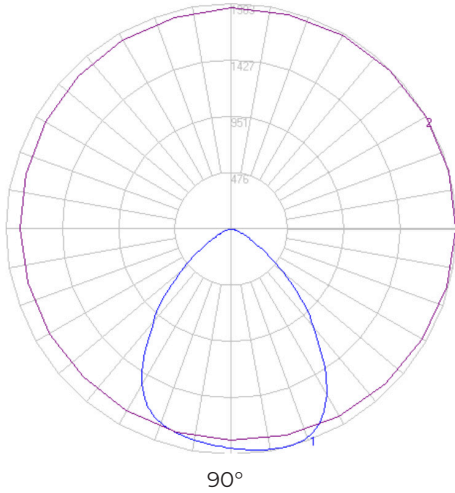
### PERFORMANCE

Model	Wattage	Lumens	Efficacy
SWP01-08WCS-25B	5	1150	230
SWP01-08WCS-25F	8	1840	230
SWP01-15WCS-50B	10	2300	230
SWP01-15WCS-50F	15	3450	230

## SWP01 Solar LED Wall Pack

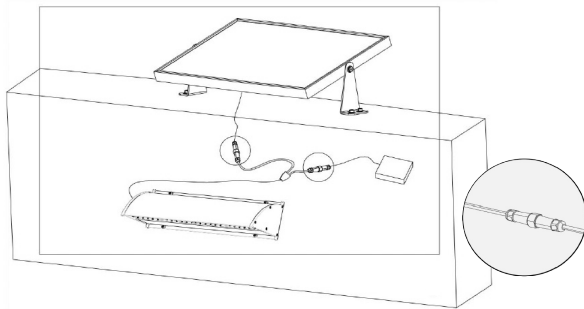
Outdoor Wall-Mounted Luminaires

### PHOTOMETRICS

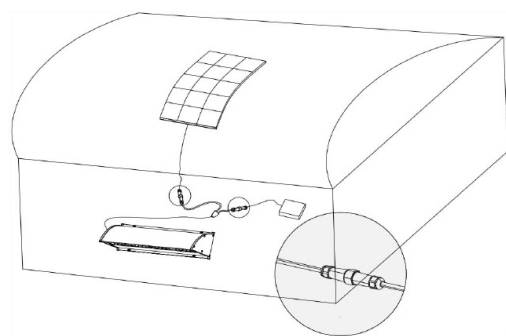


### MOUNTING

Bifacial Solar Panel



Flexible Solar Panel



### ACCESSORIES

SKU	Description	Image
SLA-CP-PWRSW	Daily Mode/Push Button (24H Working Switch)	