

Exit & Emergency

Emergency LED Driver

- 30 Watt Emergency Driver
- Constant Power Output
- Integral Lithium Ion Battery
- Painted Cast Aluminum, Water-tight Housing
- 0-10V Dimming Compatible
- Wireless Remote Control

Certifications

- UL 924 Wet-Location listed for field or factory installation
- California Energy Commission (CEC) Title 20 Compliant
- NFPA 101 and NFPA 70
- FCC and RoHS Compliant



Ordering Information

Product SKU	Product Code	Product Description
96104	BBU-30W	Emergency Battery Pack 30 Watt for 60W-240W Round High Bays (Hoverbay & Essential) 100-347V, 90-min Runtime, 0-10V Dimming, Remote Programming Device Included

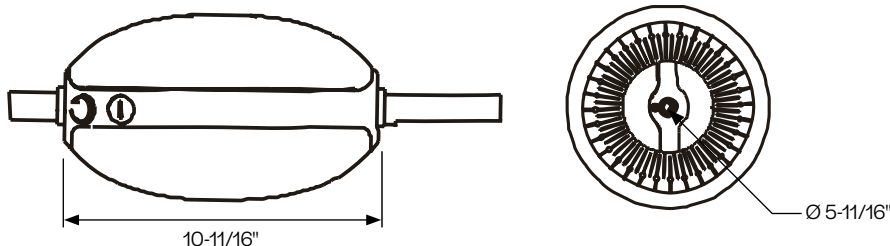
Emergency LED Driver

Specifications Table

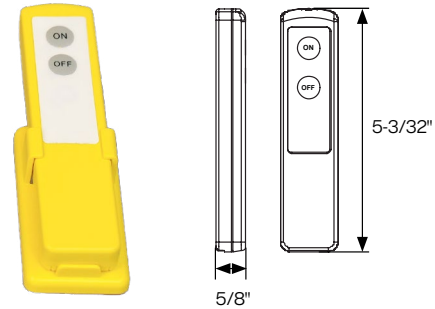
	BBU-30W
Housing	Cast Aluminum
Input Power	15 Watts
Input Voltage	100-347 VAC
Input Current	200mA Max
Input Frequency	50/60 Hz
EM Output Power	30 Watts
Output Voltage	170 VDC
Output Type	Constant Power
Wiring Configuration	Cord x2
Test Switch Type	Wireless Remote Control
Special Feature	0-10V Dimming; 12V Aux Power for Sensors
Battery Chemistry	Maintenance Free Lithium Ion
Battery Configuration	Integral
Operating Temp	5°C to 50°C (41°F to 122°F)
Discharge Time	>90 Minutes
Recharge Time	<24 Hours
Protections	Input over current; Output over charge; Battery over discharge; Output short circuit
Listings & Compliance	UL 924 Listed, CEC Title 20, NFPA 101 & NFPA 70
Environment	Wet Location Listed
Field Installable	Yes
Warranty*	5 Year

* All life safety equipment, including emergency lighting for path of egress must be maintained, serviced, and tested in accordance with all National Fire Protection Association (NFPA) and local codes. Failure to perform the required maintenance, service, or testing could jeopardize the safety of occupants and will void all warranties.

Dimensions



Remote Control Included



Remote

Test Switch & Indicator
Red ON: Charging mode
Red OFF: Discharging mode

Emergency Test Function:

Press the ON button on the remote to activate emergency mode. The fixture will switch to emergency lighting and the indicator light will turn off.
Press the OFF button to return the fixture to normal operation.
Note: The remote control must be aimed toward the indicator light at approximately a 45° angle for proper signal transmission.
Requires two (2) AAA batteries (not included).

Compatibility

Compatible Fixture Types	Compatible Halco Series
Round High Bays	ERHB
	HRHB

Included in Box



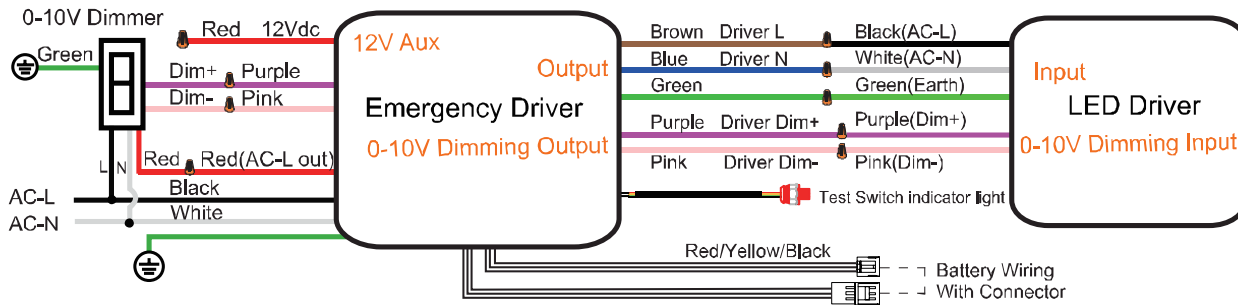
Exit & Emergency

Emergency LED Driver

Wiring Diagram

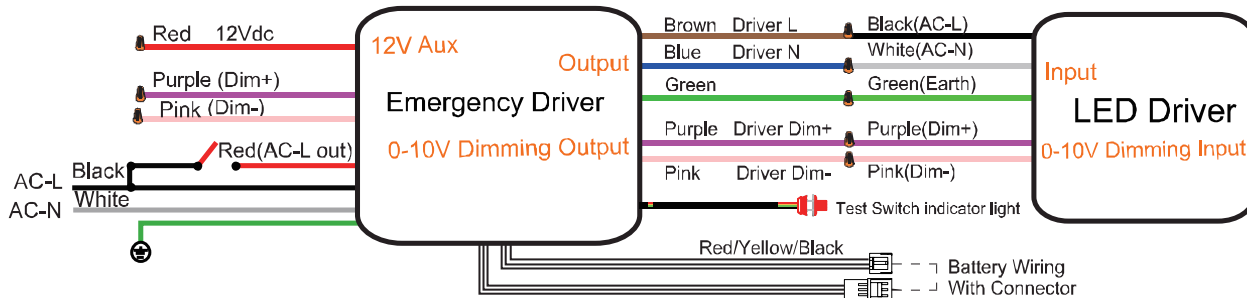
1. With Dimmer

For UFO LED Highbay 150W and have 0-10V dimming function.



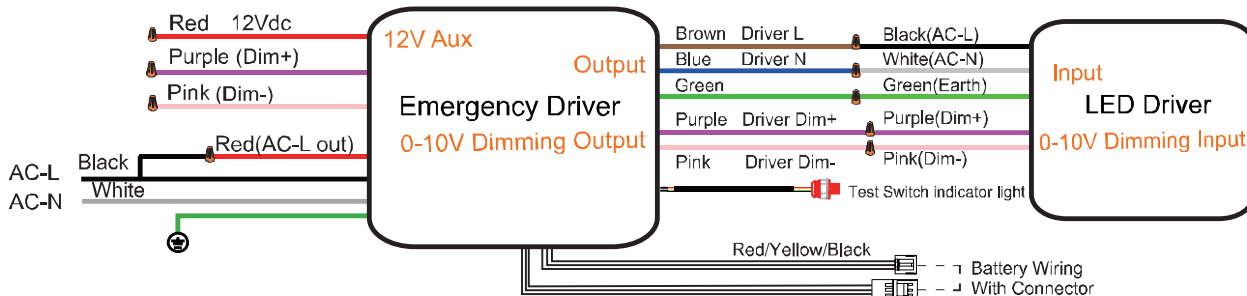
2. With Wall Switch (Without Dimmer)

For UFO LED Highbay 150W and have 0-10V dimming function.



3. Without Wall Switch & Dimmer, 24hour lighting

For UFO LED Highbay 150W and have 0-10V dimming function.



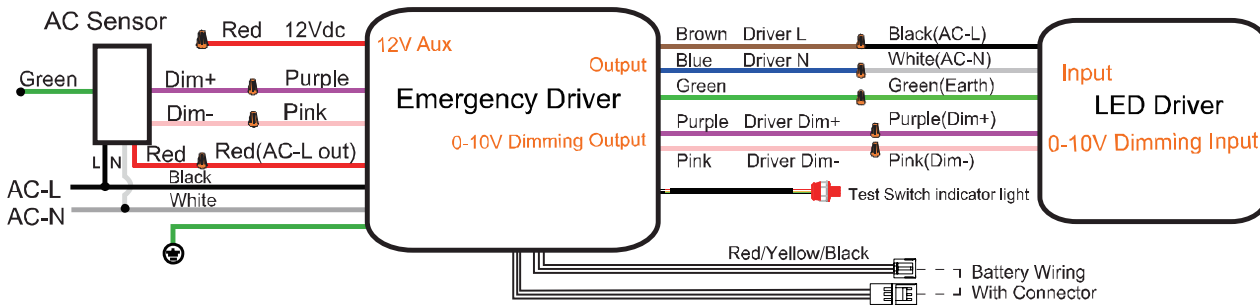
Exit & Emergency

Emergency LED Driver

Wiring Diagram

4. With Sensor (100-277/347V AC)

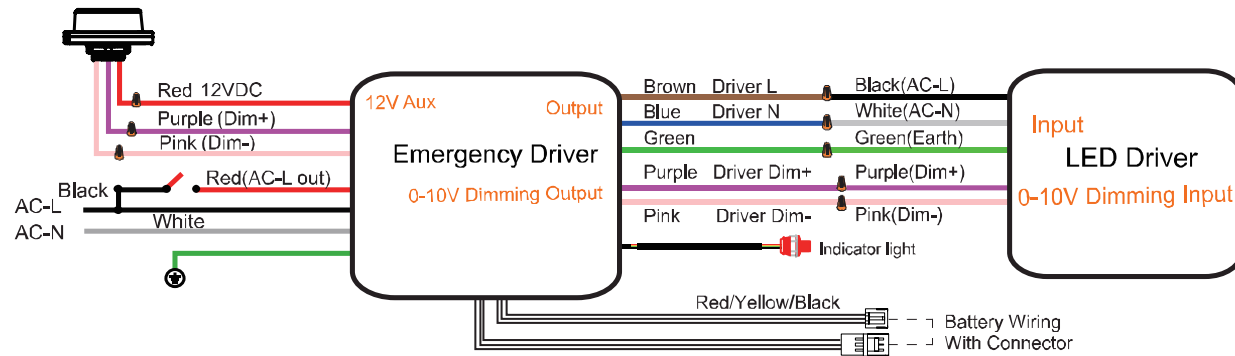
For UFO LED Highbay 150W and have 0-10V dimming function.



5. With 12VDC Sensor

(The sensor operates at less than 30mA and requires a 12VDC connection. Connect the sensor only to the emergency LED driver's 12VDC output. Do not connect it to the UFO LED driver's 12VDC wire. Ensure the DC12V sensor is plugged in before connecting power to the mains.)

For UFO LED Highbay 150W and have 0-10V dimming function.



IMPORTANT	RECOMMENDATION
Emergency driver 0-10V dimming wires must be connected to UFO LED driver dimming wires for EM to function properly, will NOT operate if not connected.	Emergency output power $\geq 20\%$ output power of UFO LED high bay