

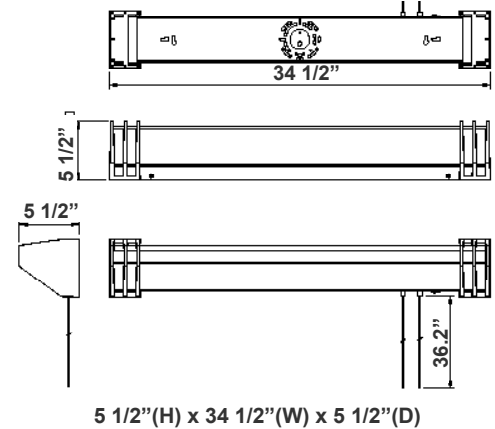
POB SERIES Commercial Lighting

POB-VB-3FT-56W
PATIENT OVERBED HEALTHCARE LIGHT WITH PULL CHAIN AND INDICATOR LIGHT

Customer Name: _____

Project Name: _____

Note: _____ Type: _____



The Patient Overbed Healthcare Light from Westgate Mfg offers soft, glare-free illumination with an easy-to-use pull chain for patient control and an integrated indicator light for operational status. Designed for energy efficiency and durability, it ensures long-lasting performance and reduced costs. Ideal for hospitals, nursing homes, and assisted living facilities, this light enhances patient care and satisfaction.

Features

- LED Strip Lights
- 5-Year Warranty
- 50,000 Hours Rated Life
- Lens: Frosted Diffuse Polycarbonate Lens

Technical Specifications

Electrical:

- Voltage: 120-277VAC 50/60Hz
- Wattage: 20W UP 36W DOWN, 1W Night Light
- Power Factor: >0.9
- Efficacy: 76 LPW

Lighting:

- Total Lumens: 4300LM
- Color Temperatures: 2700K/3000K/4000K
- Color Rendering Index: CRI ≥ 80
- Beam Angle: 120°
- 50,000 Hours Rated Life

Mechanical:

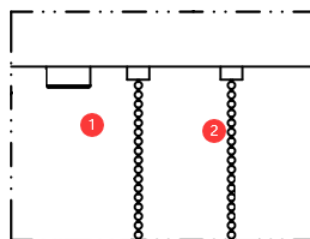
- White Finish
- Housing: Heavy Die-Formed Steel, White Powder Coated
- Lens Snaps Into The Tabs Of The Housing Fixture
- Mounting: Surface Mount, Wall Mount
- Operating Temperature: -4°F -113°F
- Suitable For Damp Location
- 5-Year Warranty

Applications:

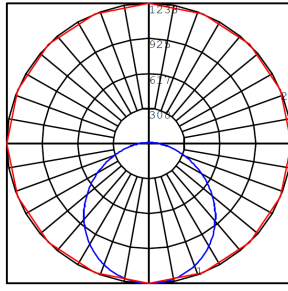
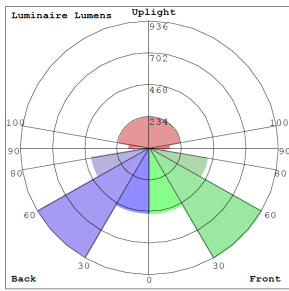
- Hospitals
- Nursing homes
- Assisted living facilities
- Rehabilitation centers
- Hospice care facilities

Pull Chain Steps

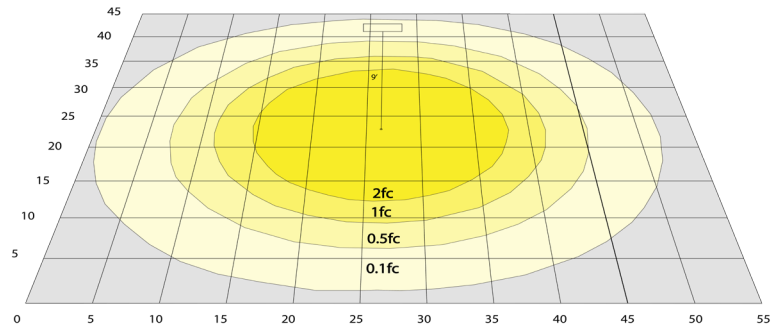
- #1
• On/Off The Night Light
- #2
• 1- Up light
- 2- Downlight
- 3- Up/down on
- 4- Off



Photometrics: POB-VB-3FT-56W



BUD Rating: B1-U3-G2



60W 5000K, Area 45'x 55' Mounting Height: 9'

Other Views:



Side View



Front View

Performance Table: POB-VB-3FT-56W

| MODEL NO. | Wattage | Voltage | Lumens | Color Temp. | BUG Rating | LPW |
|----------------|-----------------|----------|--------|-------------------------|------------|-----|
| POB-VB-3FT-56W | 20W UP 36W DOWN | 120~277V | 4300LM | 2700K 3000K 4000K | B1-U3-G2 | 76 |

Sample Ordering

Model Model Size Wattage

POB - VB - 3FT - 56W

Factory-Installed Options:

Blank = No Option For Accessories

OPT-HBC-125TL-WH = NEMA TWIST-LOCK PLUG 8FT, 15A, 125V, WHITE

OPT-HBC-277TL-WH = NEMA TWIST-LOCK PLUG 8FT, 15A, 277V, WHITE

OPT-HBC-125SB-WH = STRAIGHT BLADE PLUG 10FT, 15A, 125V, 3-CONDUCTOR 18AWG, WHITE

FACTORY-INSTALLED OPTIONS:



OPT-HBC-125SB-WH



OPT-HBC-125TL-WH



OPT-HBC-277TL-WH

