

KT-RKITXXPS-XXPD-8CSA-VDIM /G2

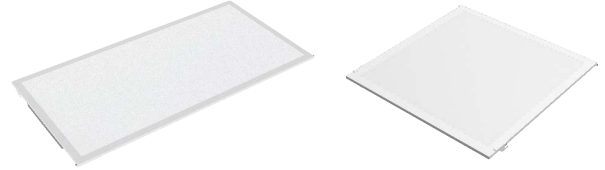
LED PANEL DOORFRAME RETROFIT KIT

DESCRIPTION

LED panel doorframe kit
120-277V input | 0-10V dimming



10 YEAR LIMITED WARRANTY



PRODUCT FEATURES

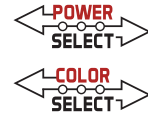
- Used to Upgrade existing 1x4, 2x2, and 2x4' fluorescent recessed troffers, without modifying existing fixture mounting.
- Keystone Power Select technology. (see Performance Specifications for details)
- Keystone Color Select Technology: Adjustable CCT (3500K, 4000K, or 5000K)
- Construction features precise optical lenses over each individual LED, offering optimal light diffusion and consistent surface illumination, with no risk of yellowing over product lifetime
- Powered by Keystone 0-10V Dimming LED Driver
- Compatible with Keystone SmartSafe LED Emergency Drivers
- Suitable for damp locations
- Over 50% energy savings compared to traditional fluorescent troffers
- Operating temp range -20°C/-4°F to 40°C/104°F
- LED chip lifetime: L70 >100,000 hours @ 25°C/77°F ambient fixture temperature

PERFORMANCE SPECIFICATIONS

Catalog Number	Nominal Size	Input Voltage	Selectable Wattage	Selectable CCT	Lumen Output	Efficacy	CRI	Power Factor	Lifetime
KT-RKIT35PS-14PD-8CSA-VDIM /G2*	1' x 4'	120-277V	35W	3500K	3,780	110 lm/W	>80	>0.9	50,000 Hours
				4000K	3,850	113 lm/W			
				5000K	3,850	113 lm/W			
			30W	3500K	3,300	110 lm/W			
				4000K	3,360	113 lm/W			
				5000K	3,360	113 lm/W			
			20W	3500K	2,200	110 lm/W			
				4000K	2,260	113 lm/W			
				5000K	2,260	113 lm/W			
KT-RKIT35PS-22PD-8CSA-VDIM /G2*	2' x 2'	120-277V	35W	3500K	3,780	110 lm/W	>80	>0.9	50,000 Hours
				4000K	3,850	113 lm/W			
				5000K	3,850	113 lm/W			
			30W	3500K	3,300	110 lm/W			
				4000K	3,360	113 lm/W			
				5000K	3,360	113 lm/W			
			20W	3500K	2,200	110 lm/W			
				4000K	2,260	113 lm/W			
				5000K	2,260	113 lm/W			
KT-RKIT45PS-24PD-8CSA-VDIM /G2*	2' x 4'	120-277V	45W	3500K	4,860	108 lm/W	>80	>0.9	50,000 hrs
				4000K	4,950	110 lm/W			
				5000K	4,950	110 lm/W			
			35W	3500K	3,850	110 lm/W			
				4000K	3,920	112 lm/W			
				5000K	3,920	112 lm/W			
			30W	3500K	3,300	110 lm/W			
				4000K	3,390	113 lm/W			
				5000K	3,390	113 lm/W			

ONE CATALOG NUMBER WITH 9 DIFFERENT OPTIONS

* Preset to highest lumen output (5000K)
* Color Uniformity: CCT (Correlated Color Temperature) range as per guidelines outlined in ANSI C78.377-2017.

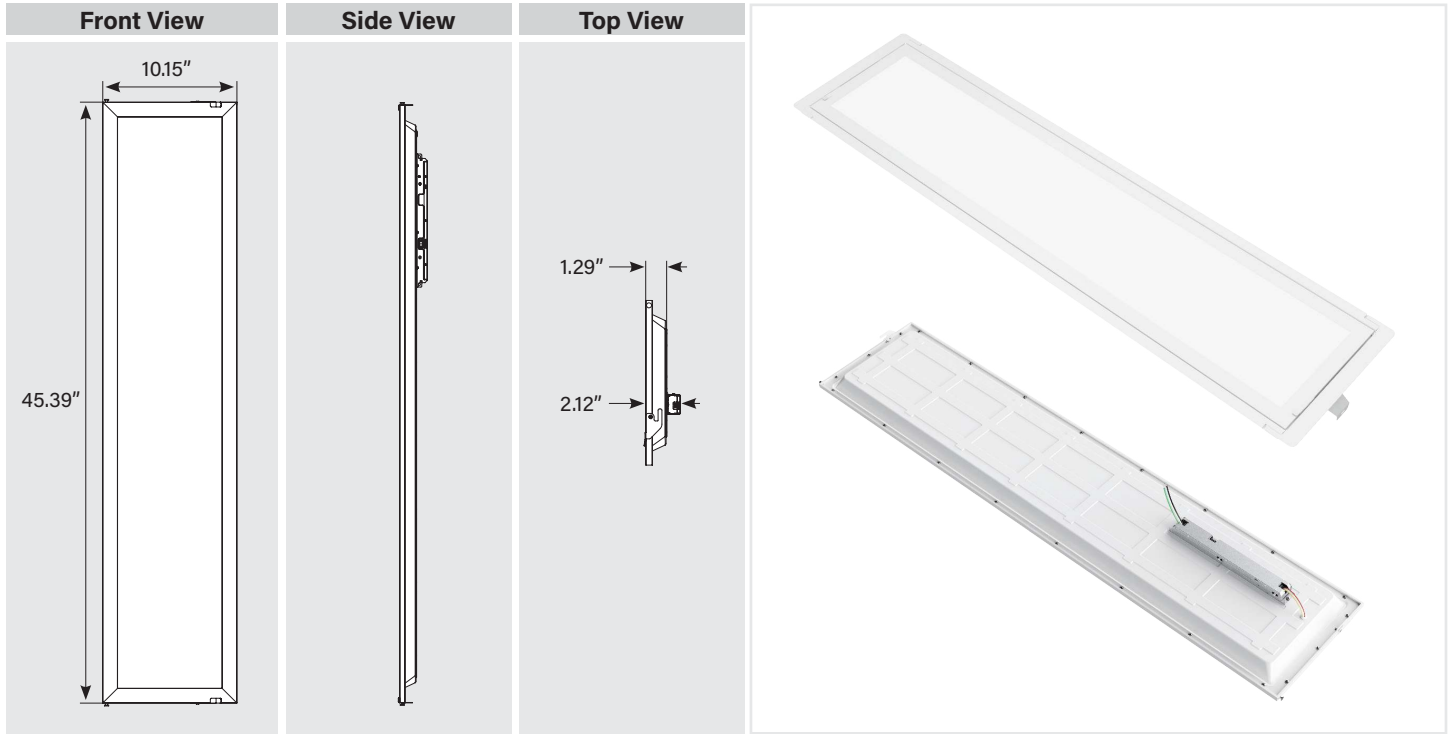


KT-RKITXXPS-XXPD-8CSA-VDIM /G2

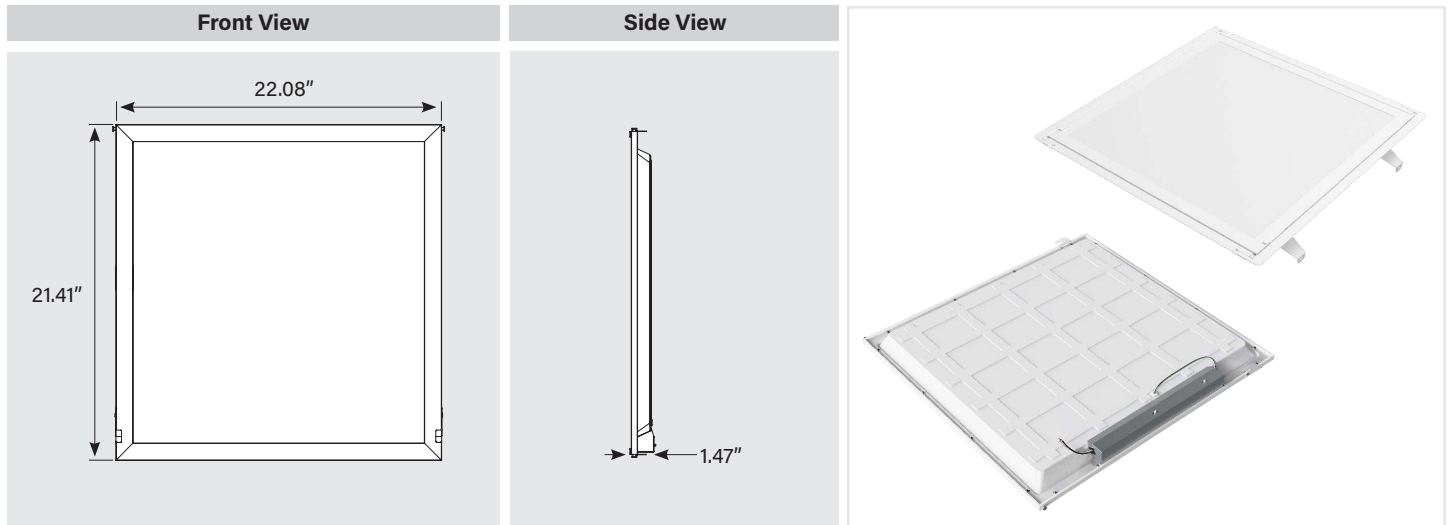
LED PANEL DOORFRAME RETROFIT KIT

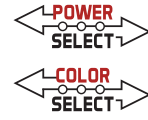
PHYSICAL SPECIFICATIONS

KT-RKIT35PS-14PD-8CSA-VDIM /G2



KT-RKIT35PS-22PD-8CSA-VDIM /G2



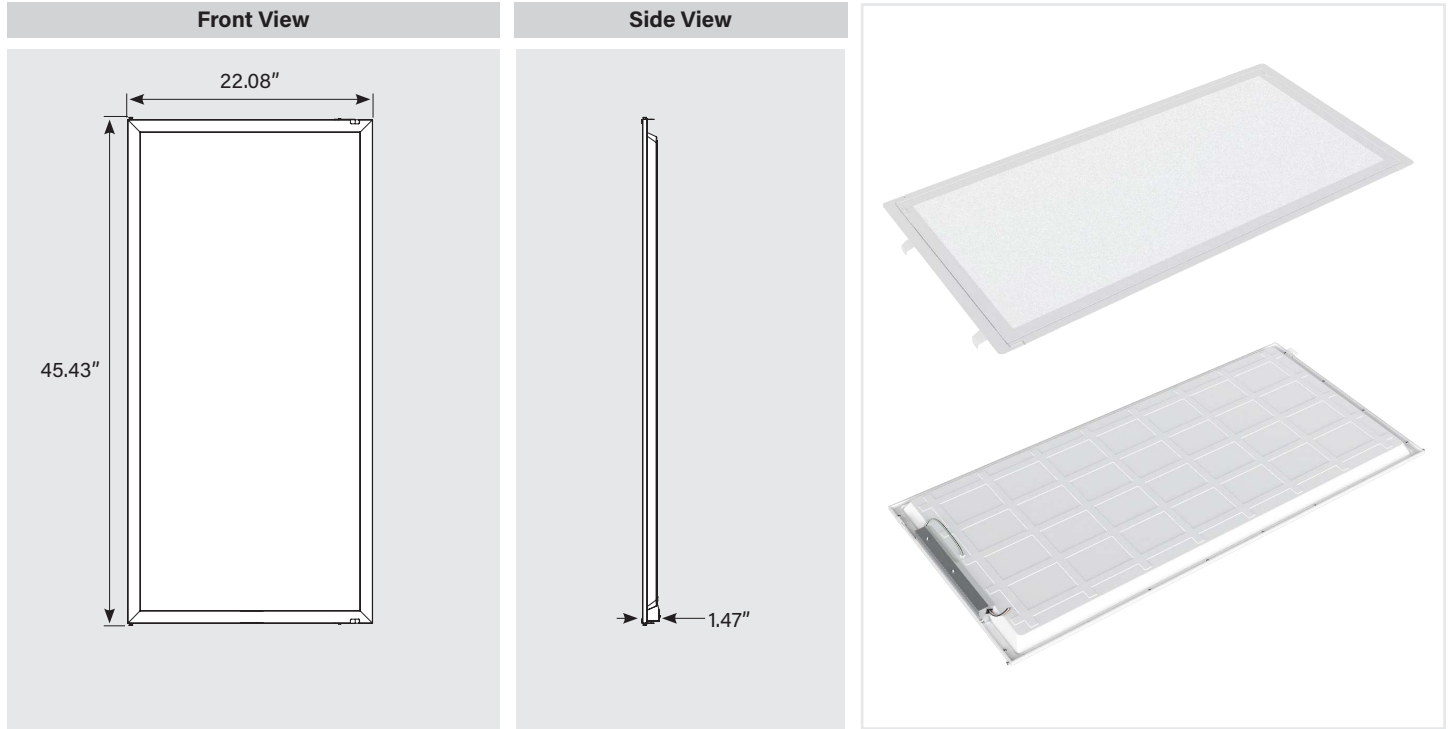


KT-RKITXXPS-XXPD-8CSA-VDIM /G2

LED PANEL DOORFRAME RETROFIT KIT

PHYSICAL SPECIFICATIONS (CONTINUED)

KT-RKIT45PS-24PD-8CSA-VDIM /G2



WEIGHT SPECIFICATIONS

Catalog Number	1 Piece
KT-RKIT35PS-14PD-8CSA-VDIM /G2	8 lbs
KT-RKIT35PS-22PD-8CSA-VDIM /G2	8 lbs
KT-RKIT45PS-24PD-8CSA-VDIM /G2	16 lbs

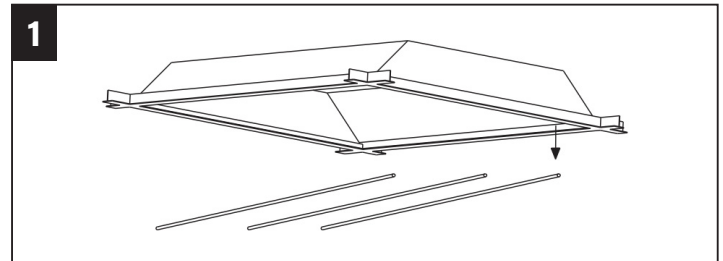
KT-RKITXXPS-XXPD-8CSA-VDIM /G2

LED PANEL DOORFRAME RETROFIT KIT

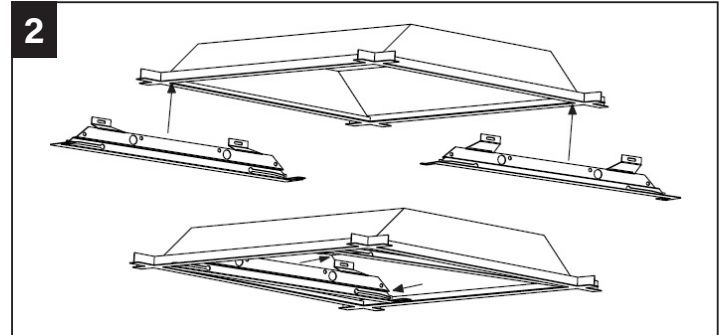
INSTALLATION INSTRUCTIONS

Always turn off the power supply from main circuit breaker first!

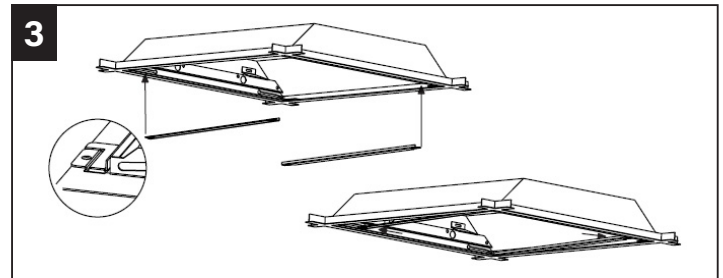
1. Dismantle accessories from the original housing (ballast, fluorescent tube, sockets, bracket and other accessories that may interfere the installation). Note: The original housing must be retained in place. Reserve the L&N wire of original housing to connect retrofit kit in later step. Plug previous holes from ballast with appropriate screws and nuts.



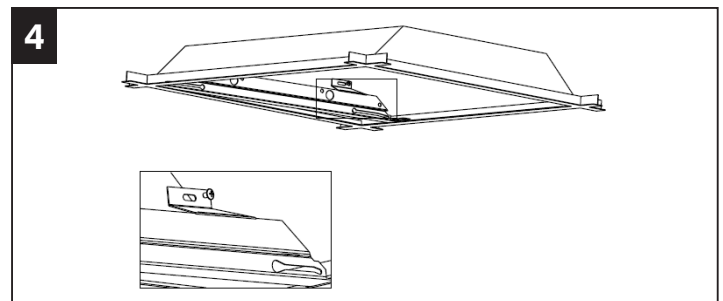
2. Insert the two brackets into the clearance between the housing and T-grid.



3. Insert the two side bars into the clearance between the brackets and the T-grid.



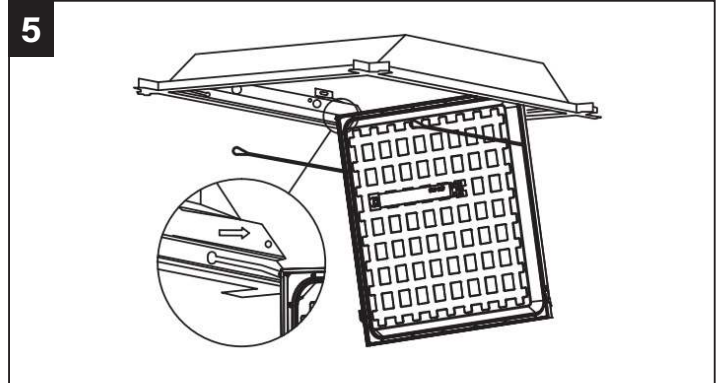
4. Using the included self-tapping screws, use electronic screwdriver to secure brackets into place through bracket mounting holes from inside of the fixture. Caution: Luminaire wiring and electrical parts may be damaged when drilling for installation of LED retrofit kit. Ensure that enclosed wiring and components have not been damaged.



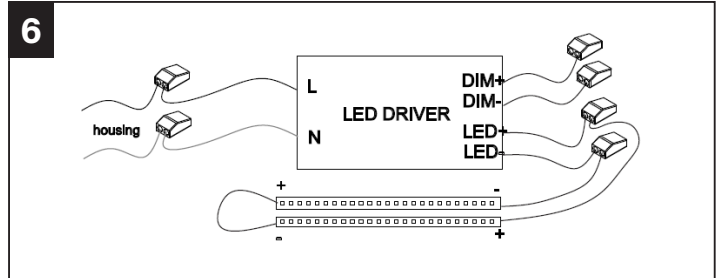
KT-RKITXXPS-XXPD-8CSA-VDIM /G2

LED PANEL DOORFRAME RETROFIT KIT

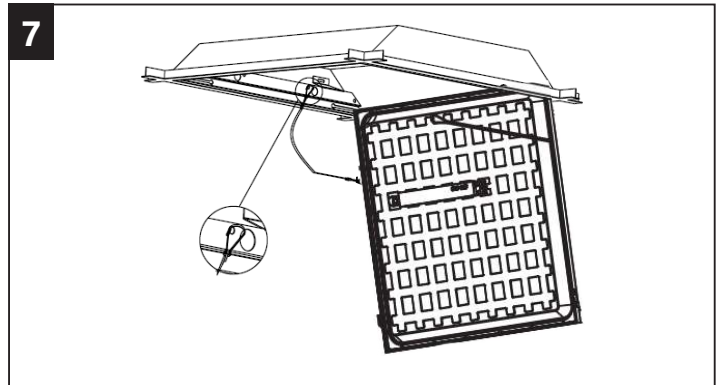
5. Embed the rotary screws on the edge of the panel into the bracket chutes. Push to the end in the direction of chutes to secure panel.



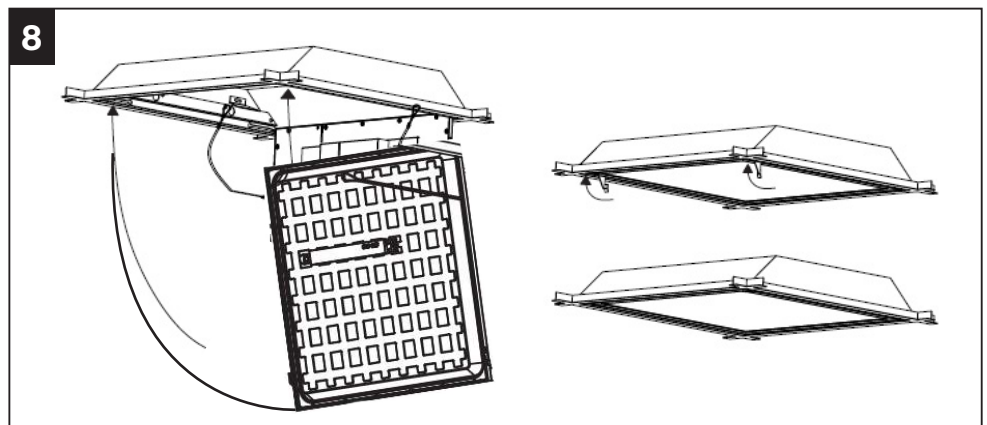
6. Connect L&N wire from original housing to the driver of the retrofit using appropriate connectors. If using 0-10V dimmer, connect DIM+,DIM- to 0-10V dimmer wires. Connect the green ground wire of the retrofit kit to the fixture with a wiring cap to ensure grounding safety.

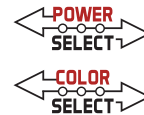


7. Attach clips from the retrofit kit to the brackets.



8. Close the retrofit kit door into the fixture and rotate the clips to secure the door closed.





KT-RKITXXPS-XXPD-8CSA-VDIM /G2

LED PANEL DOORFRAME RETROFIT KIT

COMPONENT SUMMARY

CATALOG NUMBER	QUANTITY
LED Module including - LED Driver/Power Supply and LED Array (Not Field Replaceable)	1
Mounting Bars	2
Mounting Brackets	2
Installation Instructions	1
Luminaire Marking Labels	1
Miscellaneous Hardware include 4 pcs M4.6*13 screws	1

ORDERING INFORMATION

CATALOG NUMBER	CARTON QTY.	UPC	EASY CODE	DLC PRODUCT ID
KT-RKIT35PS-14PD-8CSA-VDIM /G2	1	843654162386	GJU-97	S-5P5H4D
KT-RKIT35PS-22PD-8CSA-VDIM /G2	1	843654162393	COP-33	S-K9NWVD
KT-RKIT45PS-24PD-8CSA-VDIM /G2	1	843654162409	AFD-40	S-DS7RGR
KT-RKIT35PS-14PD-8CSA-VDIM /G2 /2pk	2	843654171708	TPS-22	S-5P5H4D
KT-RKIT35PS-22PD-8CSA-VDIM /G2 /2pk	2	843654171715	UHW-41	S-K9NWVD
KT-RKIT45PS-24PD-8CSA-VDIM /G2 /2pk	2	843654171722	UID-73	S-DS7RGR

CATALOG NUMBER BREAKDOWN

KT-RKITXXPS-XXPD-8CSA-VDIM /G2 /XX

1
2
3
4
5
6
7
8
9
10
11
1

1 Keystone Technologies

2 Retrofit Kit

3 Wattage

4 Power Select

5 Nominal Size

6 Panel Doorframe

7 80 CRI

8 Color Select

9 Color Select Designation

10 0-10V Dimming

11 Generation 2

12 XX

9 Color Select Designation

A	3500K, 4000K, 5000K
---	---------------------

12 XX

/2PK	2 Pack
------	--------