

KT-RKITXXPS-XS-8CSA-VDIM /CR

CONTROL READY LED STRIP RETROFIT

DESCRIPTION

LED Strip Retrofit | 120-277V Input | 0-10V Dimming | 3500/4000/5000K



PRODUCT FEATURES

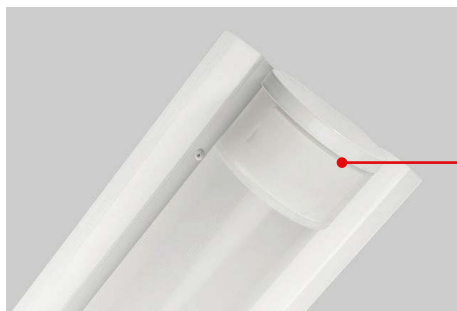
- Features Keystone Color Select technology Adjust CCT between 3500/4000/5000K
- Features Keystone Power Select technology (see *Performance Specifications* for details)
- Features Controls Ready Design
- Used to upgrade existing 4" - 5.25" wide strip fixtures without modifying the existing fixture mounting
- Powered by Keystone 0 -10V dimming LED drivers with 12V Aux
- Ambient operating temperature: -20°C/-4°F to 50°C/122°F
- Compatible with Keystone SmartSafe emergency backups
- Power factor > 0.95
- THD: < 20%
- Meets FCC Part 15, Class B
- LED chip lifetime: L70 >100,000 hours @ 25°C/77°F ambient fixture temperature

PERFORMANCE SPECIFICATIONS DETAILED

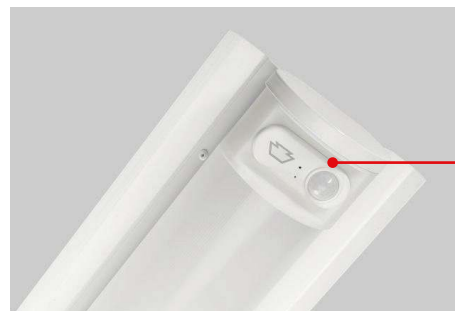
| Catalog Number | Selectable Wattage | Selectable CCT | Lumens | Efficacy | Input Voltage | Dimmable | CRI | Lifetime |
|------------------------------|--------------------|----------------|--------|----------|---------------|----------|-----|-----------|
| KT-RKIT30PS-4S-8CSA-VDIM /CR | 30W | 3500K | 4,370 | 146 lm/W | 120-277V | 0-10V | >80 | 50,000hrs |
| | | 4000K | 4,540 | 151 lm/W | | | | |
| | | 5000K | 4,450 | 148 lm/W | | | | |
| | 20W | 3500K | 3,110 | 156 lm/W | | | | |
| | | 4000K | 3,190 | 160 lm/W | | | | |
| | | 5000K | 3,150 | 158 lm/W | | | | |
| | 16W | 3500K | 2,430 | 152 lm/W | | | | |
| | | 4000K | 2,470 | 154 lm/W | | | | |
| | | 5000K | 2,460 | 154 lm/W | | | | |
| KT-RKIT50PS-8S-8CSA-VDIM /CR | 50W | 3500K | 7,360 | 147 lm/W | 120-277V | 0-10V | >80 | 50,000hrs |
| | | 4000K | 7,570 | 151 lm/W | | | | |
| | | 5000K | 7,510 | 150 lm/W | | | | |
| | 40W | 3500K | 6,010 | 150 lm/W | | | | |
| | | 4000K | 6,170 | 154 lm/W | | | | |
| | | 5000K | 6,150 | 154 lm/W | | | | |
| | 32W | 3500K | 4,660 | 146 lm/W | | | | |
| | | 4000K | 4,760 | 149 lm/W | | | | |
| | | 5000K | 4,770 | 149 lm/W | | | | |

* Preset to (5000K)
 * Color Uniformity: CCT (Correlated Color Temperature) range as per guidelines outlined in ANSI C78.377-2017.

CONTROL READY FEATURE HIGHLIGHT



Controls Ready End Cap with preinstalled cover



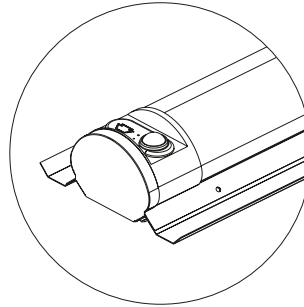
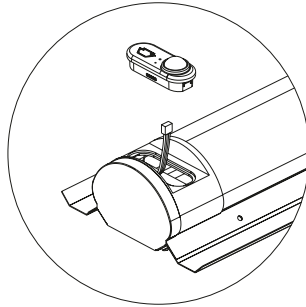
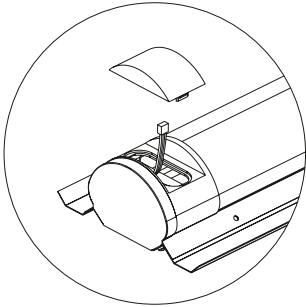
With FC5 Sensor Installed

KT-RKITXXPS-XS-8CSA-VDIM /CR

CONTROL READY LED STRIP RETROFIT

SENSOR INSTALLATION

1. Remove the sensor base cover. Un-hook the sensor wire from the cover.
2. Insert the connector into the desired sensor.
3. Install the sensor and make sure it snaps into place.



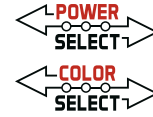
PRODUCT IMAGES



KT-RKIT30PS-4S-8CSA-VDIM /CR



KT-RKIT50PS-8S-8CSA-VDIM /CR

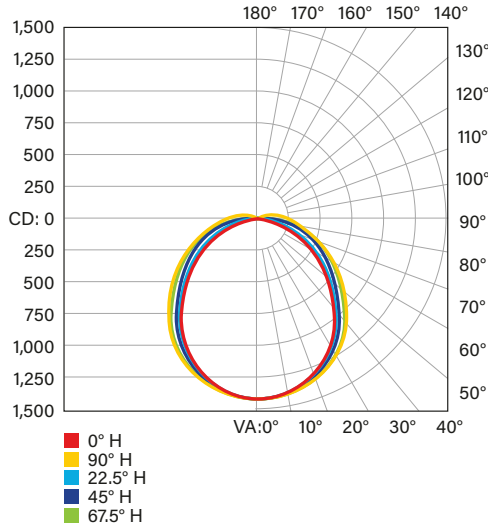


KT-RKITXXPS-XS-8CSA-VDIM /CR

CONTROL READY LED STRIP RETROFIT

PHOTOMETRIC SPECIFICATIONS (KT-RKIT30PS-4S-8CSA-VDIM /CR)

POLAR CANDELA DISTRIBUTION

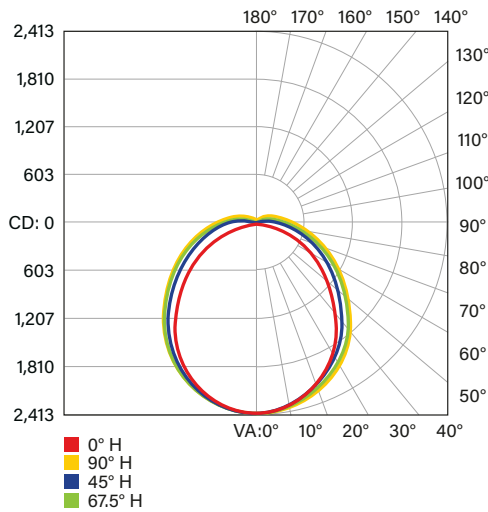


ZONAL LUMEN SUMMARY

| Zone | Lumens | % Luminaire |
|--------|---------|-------------|
| 0-30 | 1,112.6 | 24.7% |
| 0-40 | 1,808.2 | 40.2% |
| 0-60 | 3,151.6 | 70.1% |
| 60-90 | 1,092.3 | 24.3% |
| 70-100 | 730.4 | 16.2% |
| 90-120 | 249.7 | 5.6% |
| 0-90 | 4,243.9 | 94.3% |
| 90-180 | 254.8 | 5.7% |
| 0-180 | 4,498.7 | 100% |

PHOTOMETRIC SPECIFICATIONS (KT-RKIT50PS-8S-8CSA-VDIM /CR)

POLAR CANDELA DISTRIBUTION



ZONAL LUMEN SUMMARY

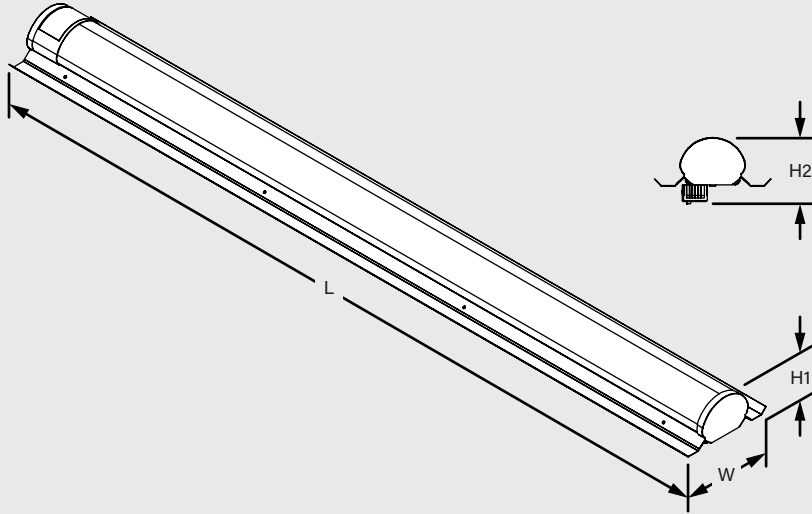
| Zone | Lumens | % Luminaire |
|--------|----------|-------------|
| 0-30 | 1,854.34 | 24.7% |
| 0-40 | 3,013.95 | 40.2% |
| 0-60 | 5,253.36 | 70.1% |
| 60-90 | 2,415.56 | 32.2% |
| 70-100 | 1,344.08 | 17.9% |
| 90-120 | 416.14 | 5.5% |
| 0-90 | 7,073.64 | 94.3% |
| 90-180 | 424.61 | 5.7% |
| 0-180 | 7,498.26 | 100% |

KT-RKITXXPS-XS-8CSA-VDIM /CR

CONTROL READY LED STRIP RETROFIT

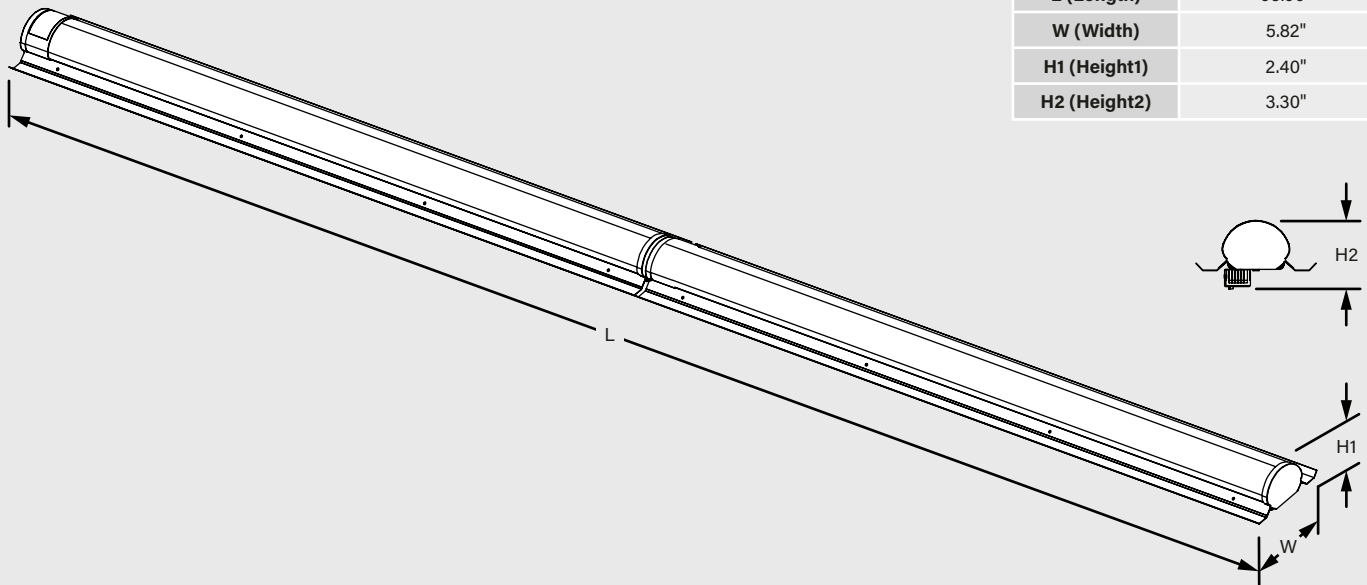
PHYSICAL SPECIFICATIONS

KT-RKIT30PS-4S-8CSA-VDIM /CR



| KT-RKIT30PS-4S-8CSA-VDIM /CR | |
|------------------------------|--------|
| L (Length) | 47.95" |
| W (Width) | 5.82" |
| H1 (Height1) | 2.42" |
| H2 (Height2) | 3.30" |

KT-RKIT50PS-8S-8CSA-VDIM /CR



| KT-RKIT50PS-8S-8CSA-VDIM /CRV | |
|-------------------------------|--------|
| L (Length) | 95.90" |
| W (Width) | 5.82" |
| H1 (Height1) | 2.40" |
| H2 (Height2) | 3.30" |

KT-RKITXXPS-XS-8CSA-VDIM /CR

CONTROL READY LED STRIP RETROFIT

ACCESSORIES

SENSORS/CONTROLLERS

Factory-Installable OR Field-Installable (field-installable purchased separately)

| ✓ | SUFFIX* | CATALOG NUMBER | DESCRIPTION | UPC | EASY CODE |
|---|---------|---------------------|---|--------------|-----------|
| | /FC5 | KTSL-FC5-12V-IM-PIR | Bluetooth mesh wireless low voltage individual fixture controller for SmartLoop system with integrated daylight and PIR motion sensors. | 843654164342 | ODF-32 |
| | /FC5N | KTSL-FC5-12V-IM | Bluetooth mesh wireless low voltage individual fixture controller for SmartLoop system. | 843654176314 | UBB-00 |



SmartLoop PIR Sensor
KTSL-FC1-UV-KO-PIR



SmartLoop PIR Sensor
KTSL-FC5-12V-IM

* For factory installation of accessory, add suffix to fixture part number (see ordering examples and instructions on last page of spec sheet).

Note: Keystone SmartLoop is a DLC Qualified Network Lighting Control solution, offering advanced functions such as complete wireless control, zoning, high-end trim, occupancy/vacancy sensing, scene setting, and scheduling. To learn more about SmartLoop, please visit <http://www.keystonetech.com/smartloop>.

EMERGENCY BACKUPS

Factory-Installable OR Field-Installable (field-installable purchased separately)

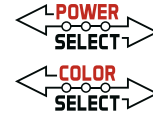
| ✓ | SUFFIX* | CATALOG NUMBER | DESCRIPTION | UPC | EASY CODE |
|---|---------|----------------------|---|--------------|-----------|
| | /EM12 | KT-EMRG-LED-12C-1200 | LED Emergency Back-Up, 12W Constant Wattage Design. Approx 1200 Lumens. 120-277V Input. Remote Compact Battery Pack. CEC T20 Compliant. | 843654103112 | OJQ-32 |



12W, 1200 lumen Battery Backup
KT-EMRG-LED-12C-1200

* For factory installation of accessory, add suffix to fixture part number (see ordering examples and instructions on last page of spec sheet).

Note: Factory installation of emergency backup units will automatically include any relevant mounting bracket.



KT-RKITXXPS-XS-8CSA-VDIM /CR

CONTROL READY LED STRIP RETROFIT

ORDERING INFORMATION

| Catalog Number | Carton QTY | Upc | Easy Code | DLC ID |
|------------------------------|------------|--------------|-----------|--------|
| KT-RKIT30PS-4S-8CSA-VDIM /CR | 2 | 843654175768 | EUS-03 | TBD |
| KT-RKIT50PS-8S-8CSA-VDIM /CR | 1 | 843654175775 | CIR-80 | TBD |

CATALOG NUMBER BREAKDOWN

KT-RKITXXPS-XS-8CSA-VDIM /CR

- 1
- 2
- 3
- 4
- 5
- 6
- 7
- 8
- 9
- 10
- 11

- 1 Keystone Technologies
- 2 Retrofit Kit
- 3 Max Wattage
- 4 Power Select
- 5 Nominal Size
- 6 Strip
- 7 80 CRI
- 8 Color Select
- 9 Color Select Designation
- 10 0-10V Dimming
- 11 Control Ready

| 3 Max Wattage | |
|---------------|-----|
| 30 | 30W |
| 50 | 50W |

| 5 Nominal Size | |
|----------------|-----|
| 4 | 4ft |
| 8 | 8ft |

| 9 Color Select Designation | |
|----------------------------|-----------------|
| A | 3500/4000/5000K |
| B | 3000/4000/5000K |

ORDERING EXAMPLES

FIXTURE WITH MULTIPLE FACTORY-INSTALLED ACCESSORIES*

KT-RKIT30PS-4S-8CSA-VDIM /CR /FC5 /EM12

FIXTURE WITH SINGLE FACTORY-INSTALLED ACCESSORY*

KT-RKIT30PS-4S-8CSA-VDIM /CR /FC5

FIXTURE WITH NO FACTORY-INSTALLED ACCESSORIES*

KT-RKIT30PS-4S-8CSA-VDIM /CR

| KEYSTONE FIXTURE | |
|------------------------------|--|
| CATALOG NUMBER | |
| KT-RKIT30PS-4S-8CSA-VDIM /CR | |

| SENSORS/CONTROLLERS | | |
|---------------------|---------|---------------------|
| ✓ | SUFFIX* | CATALOG NUMBER |
| | /FC5 | KTSL-FC5-12V-IM-PIR |

| EMERGENCY BACKUPS | | |
|-------------------|---------|----------------------|
| ✓ | SUFFIX* | CATALOG NUMBER |
| | /EM12 | KT-EMRG-LED-12C-1200 |

* When ordering more than one factory-installed accessory, use multiple suffixes as shown in the ordering examples above.
Note: All accessories can also be ordered separately for field installation using just their regular Catalog Number, UPC, or Easy Code.