

Combining LED exit illumination with reliable LED lamp heads, this attractive low-profile design offers maintenance-free, long life dependable service. Easily mounts above doors and in restricted spaces to fit any application.

Model: _____ Date: _____
Accessories: _____
Job Name: _____ Type: _____

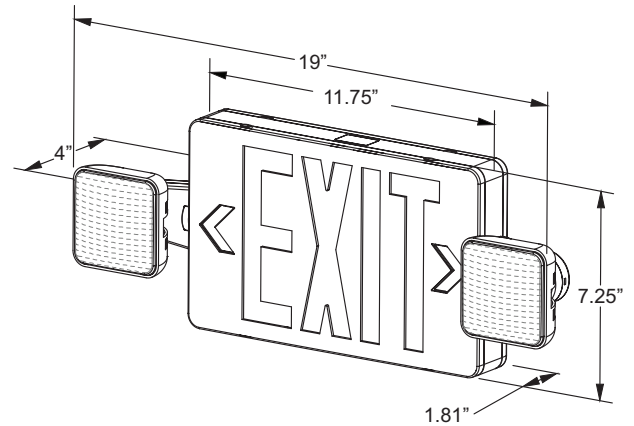
FEATURES AND BENEFITS

- Two 0.75W LED fully adjustable lamp heads or optional 1.2W LED lamp heads (Option: HO)
- Universal - includes 2 faceplates, backplate & mounting canopy
- Optional GUARDIAN G2 self-test/self-diagnostics available
- Optional remote capability up to 1.5W (not compatible with HO lamp head option), compatible with [JLED](#), [RL1-WP](#) or [RL52](#) remote lamps
- UL 924 Listed for Damp Locations
- California Energy Commission (CEC) compliant



SPECIFICATIONS

- Illumination:** Long-life, high-intensity, red or green LEDs with 0.75W LED lamp heads
- Housing:** Rugged, injection-molded UL 94 5VA flame retardant, high-temperature thermoplastic housing
- Input:** 120/277V Dual primary, 60Hz input
- Battery:** Maintenance-free NiCad battery
- Operating Temp:** 10°C to 40°C (50°F to 104°F)
- Run Time:** UL Listed 90 min emergency run time, 24 hour recharge time
- Legend:** Fully-illuminated 6" characters with 3/4" stroke, field selectable directional chevrons included for all configurations
- Mounting:** Ceiling or wall mount, includes canopy
- Finishes:** Black or White
- Options:** G2 - Self-test/Self-diagnostics
HO - (2) 1.2W LED lamp heads
R - 1.5W Remote Capable, compatible with [JLED](#), [RL1-WP](#) or [RL52](#) remote lamps
- Certifications:** UL 924 Listed for Damp Locations, Meets or exceeds NFPA 101 Life Safety Code, NEC, OSHA, and California Energy Commission (CEC) requirements
- Warranty:** Any component that fails due to a manufacturing defect is guaranteed for five years with a separate five year prorated warranty on the battery. The warranty does not cover physical damage, abuse or instances of uncontrollable natural forces. See the full Exitronix warranty document for detailed information. (Terms and Conditions Apply)



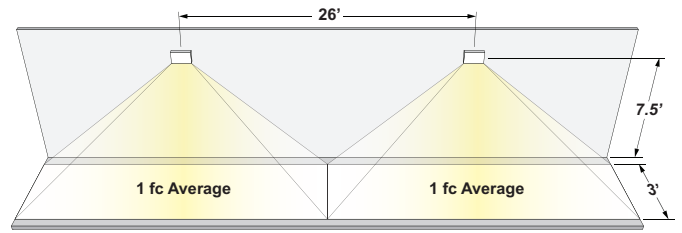
ORDERING INFORMATION Example: VLED-U-WH-EL90L-G2-HO

Series	Style	Finish	Type	Options (Factory Installed)	Accessories ³ (Field installed, order as separate line item)
VLED = Red	U = Universal	BL = Black	EL90L = LED Lamps	G2 = Self-test/Self-diagnostics	ER1-KIT ⁴ = 1' Pendant Mount Kit
GVLED = Green		WH = White		HO ¹ = (2) 1.2W LED Lamps	ER2-KIT ⁴ = 2' Pendant Mount Kit
				R ² = 1.5W Remote Capable	VEPA = Pendant Apdapter
Notes:					WG-L = Wire Guard (Back Mount)
¹ Not compatible with remote capable units (Option: R)					XG-EL90 = Poly Guard (Back Mount)
² Compatible with JLED , RL1-WP or RL52 remote lamps					
³ Order as separate line item					
⁴ Requires VEPA option					

ON-CENTER SPACING (Multiple units mounted at a typical 7.5 foot height)

Model	# of LED Lamps	3' Path, 6' Corridor	6' Path, 6' Corridor
VLED-EL90L	2	26'	19'
VLED-EL90L-HO	2	37'	31'

Barron assumes no responsibility for local requirements or specific project variables. This is a guideline to be used as a design aid, not as a guarantee of any code compliance.



ELECTRICAL RATINGS

Model	NiCad Battery	Brownout	Low Voltage Disconnect	Overload Disconnect	Short Circuit Disconnect	Solid State Transfer	Input				Output		
							VAC	Hz	mA	W	Lamp Heads	Lumen Output	Remote Capability
(G)VLED-U-XX-EL90L	3.6V 900mAh	No	Yes	No	No	Yes	120/277	60	30	2.8	2 x 0.75W	150lm	n/a
(G)VLED-U-XX-EL90L-G2	3.6V 900mAh	Yes	Yes	Yes	Yes	Yes	120/277	60	30	2.8	2 x 0.75W	150lm	n/a
(G)VLED-U-XX-EL90L-R	2 x 3.6V 900mAh	No	Yes	No	No	Yes	120/277	60	33	3.5	2 x 0.75W	150lm	3.6V 1.5W
(G)VLED-U-XX-EL90L-G2-R	2 x 3.6V 900mAh	Yes	Yes	Yes	Yes	Yes	120/277	60	33	3.8	2 x 0.75W	150lm	3.6V 1.5W
(G)VLED-U-XX-EL90L-HO	2 x 3.6V 900mAh	No	Yes	No	No	Yes	120/277	60	33	3.4	2 x 1.2W	250lm	n/a
(G)VLED-U-XX-EL90L-G2-HO	2 x 3.6V 900mAh	Yes	Yes	Yes	Yes	Yes	120/277	60	33	3.8	2 x 1.2W	250lm	n/a

CONSTRUCTION

The VLED-EL90L Series is constructed of a precision-molded housing utilizing 5VA flame-retardant, corrosion-proof thermoplastic. Units resist denting, peeling, scratching and corrosion. Black or White finish.

ILLUMINATION

Illumination of the VLED-EL90L Series is achieved with high-output, long-lasting red or green LEDs. An exclusive color matched diffuser eliminates hot spots and striations, providing optimal light output. LEDs are a maintenance-free solution.

EMERGENCY LAMPS

Two (2) 0.75W LED lamps standard. Units with HO option have two (2) 1.2W lamps.

ELECTRICAL

Input

Dual-voltage input 120/277VAC @ 60Hz.

Nickel Cadmium Battery – NiCad

Exitronix nickel cadmium batteries are maintenance-free and continue to perform in a vast temperature range.

Emergency

The VLED-EL90L Series exit will operate for a minimum of 90 minutes during a loss of power with a 24 hour maximum recharge time for the battery.

Damp Location Rated

Damp Location Rated fixture that is normally or periodically subject to condensation of moisture in, on or adjacent to, and includes partially protected locations.

Test Button

The test button is easy to locate and provides manual verification of the transfer circuit and emergency backup.

INSTALLATION

Simple snap together universal design allows for faceplate and backplate to be fully interchangeable. Mounting canopy is supplied with all signs and snaps into enclosure with two positive locking tabs.

OPTIONS

Guardian G2 Self-test/Self-diagnostics

The Guardian bi-color circuit is factory preset; without any field adjustments needed. It continuously monitors the performance condition of the AC power, battery supply, and charging circuitry.

The intent of this option is to provide visual signaling to identify fault at the Exit. Fault indicators are as follows:

1. Green: On/Ready
Blinking: Testing
2. Red: Service Alert
3. Service Alert LED Code (Red LED Lamp Indicator)

•	One blink ON/pause (4 seconds)	Battery not connected
• •	Two blinks ON/pause (4 seconds)	Battery voltage too low
• • •	Three blinks ON/pause (4 seconds)	Charging circuit fault
• • • •	Four blinks ON/pause (4 seconds)	Transfer function failure
• • • • •	Five blinks ON/pause (4 seconds)	Integral lamp fault
• • • • • •	Six blinks ON/pause (4 seconds)	Remote lamp fault (option)
• • • • • • •	Seven blinks ON/pause (4 seconds)	EXIT LED strip failure

NOTE: After solving the fault of the emergency equipment, press the test button for two seconds without releasing to reset. LED indicator will show green.

Self-testing/Self-diagnostics also has a manual test function, press test button as follows:

Press test button once	30 Second discharge test
Press test button twice within two seconds	3 Minute discharge test
Press test button three times within two seconds	30 Minute discharge test
Press test button four times within two seconds	90 Minute discharge test

Remote Capable (Option: R)

The R option provides an additional 1.5W of remote capability. Units with remote capability (R option) have two (2) 0.75W lamps attached to units. Not compatible with HO option. Compatible with **JLED**, **RL1-WP** or **RL52** remote lamps.

CONFORMANCE TO CODES & STANDARDS

The VLED-EL90L Series is UL 924 Listed for Damp Locations, CEC compliant and meets or exceeds the following: UL 924, NEC requirements and NFPA 101.