



KT-SMLEDXX-XRC-9CSF-CDIM-EM3

ROUND SURFACE MOUNT DOWNLIGHT

DESCRIPTION

LED Round Surface Mount Downlight with Integrated 3W EMRG | Color Select Technology

APPLICATION

Ideal for residential, hospitality, retail, office, and other retrofit and new construction applications



PRODUCT FEATURES

- Keystone Color Select technology (2700/3000/3500/4000/5000K)
- Slim, integrated design mounts directly to j-box
- Ideal for new construction and remodel applications
- Two sizes and wattages available
- Diffused lens for visual comfort and reduced glare
- Smooth, uniform tri-mode dimming (0-10V/TRIAC/ELV), dimmable to 10%
- Suitable for damp locations
- PF > 0.9
- Operating temperature range: 0°C/32°F to 40°C/104°F
- ETL Listed
- ENERGY STAR Downlights V1.0 Certified
- T24/JA8 2022 compliant
- Complies with FCC, Part 15, Subpart B, Class A standards for conducted and radiated emissions

PRODUCT IMAGES





KT-SMLEDXX-XRC-9CSF-CDIM-EM3

ROUND SURFACE MOUNT DOWNLIGHT

PERFORMANCE SPECIFICATIONS

Catalog Number	Size	Wattage	Selectable CCT*	Lumen Output	Efficacy	Emergency Wattage	Emergency Lumen Input	Input Voltage	CRI	Beam Angle	Lifetime
KT-SMLED10-7RC-9CSF-CDIM-EM3	7" round	10W	2700K	820	82 lm/W	3W	300	120-277V	> 90	110°	50,000 hrs
			3000K	820	82 lm/W						
			3500K	830	83 lm/W						
			4000K	850	85 lm/W						
			5000K	850	85 lm/W						
KT-SMLED14-9RC-9CSF-CDIM-EM3	9" round	14.5W	2700K	1200	83 lm/W	3W	300	120-277V	> 90	110°	50,000 hrs
			3000K	1200	83 lm/W						
			3500K	1250	86 lm/W						
			4000K	1300	90 lm/W						
			5000K	1300	90 lm/W						

*Preset to 2700K

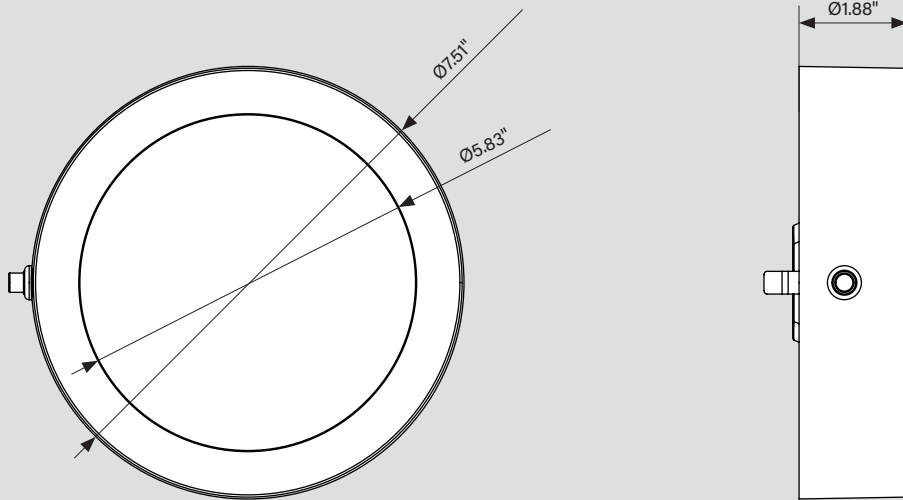
Color Uniformity: CCT (Correlated Color Temperature) range as per guidelines outlined in ANSI C78.377-2017

KT-SMLEDXX-XRC-9CSF-CDIM-EM3

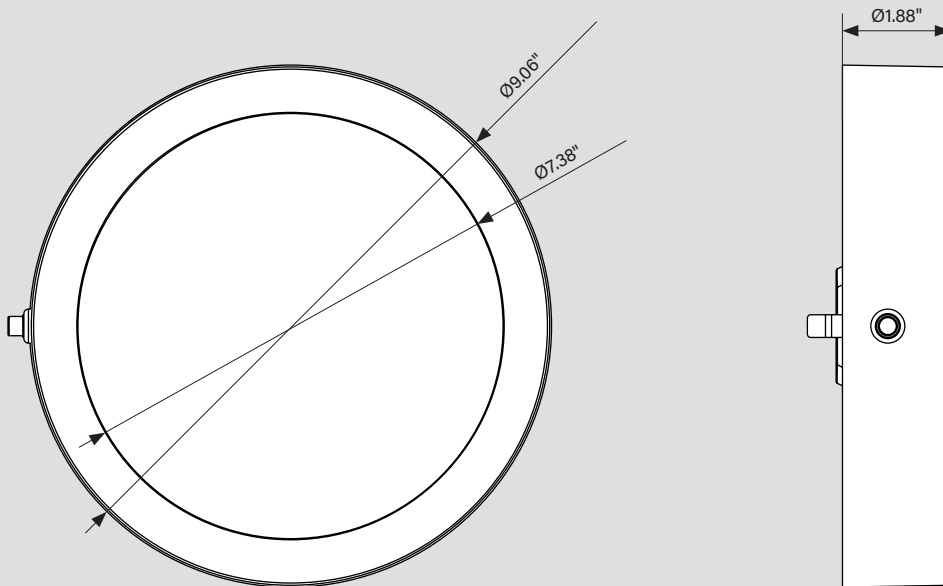
ROUND SURFACE MOUNT DOWNLIGHT

PHYSICAL SPECIFICATIONS

KT-SMLED10-7RC-9CSF-CDIM-EM3



KT-SMLED14-9RC-9CSF-CDIM-EM3





KT-SMLEDXX-XRC-9CSF-CDIM-EM3

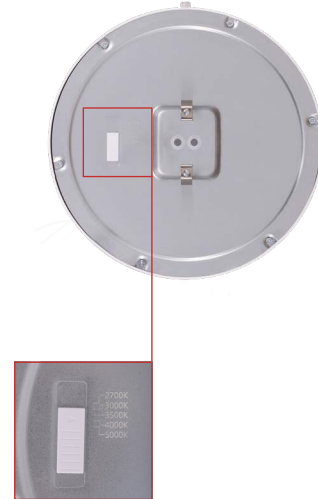
ROUND SURFACE MOUNT DOWNLIGHT

COLOR SELECT (CCT) ADJUSTMENT

KT-SMLED12-7RC-9CSF-CDIM-EM3



KT-SMLED14-9RC-9CSF-CDIM-EM3



Preset to highest wattage/2700K

ORDERING INFORMATION

Catalog Number	Pack Qty.	Weight	UPC	Easy Code
KT-SMLED10-7RC-9CSF-CDIM-EM3	6	14.33 lbs	843654170503	PFY-63
KT-SMLED14-9RC-9CSF-CDIM-EM3	6	15.65 lbs	843654170510	HPP-72

CATALOG NUMBER BREAKDOWN

KT-SMLEDXX-XRC-9CSF-CDIM-EM3

1
2
3
4
5
6
7
8
9
10
11
12

- 1 Keystone Technologies**
- 2 Fixture Type**

SM	Surface Mount Downlight
----	-------------------------
- 3 LED Technology**
- 4 Maximum Wattage**
- 5 Size**

7	7"
9	9"
- 6 Shape**

R	Round
---	-------
- 8 CRI**

9	90
---	----
- 10 Color Select Designation**

F	2700/3000/3500/4000/5000K
---	---------------------------
- 11 Dimming**

CDIM	Tri-mode Dimming
------	------------------
- 9 Color Select Technology**
- 12 Integrated 3W EMRG**