

SYLVANIA Luminaires

UltraLED™ Edge-Lit Panels

Application

Edge-Lit Panels are offered in three sizes for illuminating offices, retail or hospitality areas.

Benefits and Features

- Edge-lit technology combined with diffused lens offers even and uniform lighting
- Up to 125 LPW
- 3500K, 4000K, and 5000K color temperature
- CRI >80
- Offered in 20, 26, 32, 50 watts
- Energy savings up to 64%
- Suitable for use in closets, compliant with NFPA 70, NEC section 410.16 (A)(3) and 410.16 (C)(5)

Electrical

- 120-277V_{AC} OR 120-347V_{AC}
- LED driver is a constant current device
- Power factor ≥90%
- THD ≤20%
- 0-10V dimmable (down to 10%)
(Please reference the dimmer compatibility document LEDLUM012)

Rated Life

- 50,000 hours (L₇₀)

Warranty

- 5-year
- NLB Trusted Warranty Program

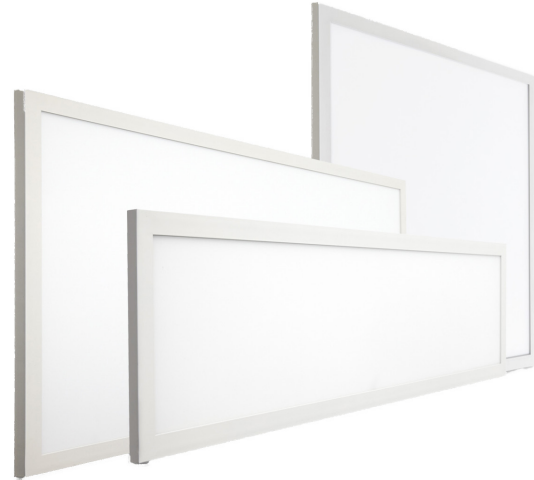
Ambient Operating Range

- -13°F to +104°F (-25°C to +40°C)
- EM: 41°F to 104°F (5°C to 40°C)

Certifications and Listings

- cETLus listed to UL1598 standards
- RoHS compliant
- FCC
- IC and damp rated
- RoHS

Item #
Type
Project
Notes
Date



Wattage Comparison

Panel Size	Traditional Source	Traditional System Wattage	LED System Wattage	Energy Savings
1x4	2x28W T8	49	20	59%
	2x32W T8	56	20	64%
	2x28W T8	49	26	47%
	2x32W T8	56	26	54%
	3x17W T8	48	20	58%
2x2	2xU31W T8	56	20	64%
	3x17W T8	48	26	46%
	2xU31W T8	56	26	54%
	3x17W T8	48	32	33%
	2xU31W T8	56	32	43%
2x4	2x28W T8	49	26	47%
	2x32W T8	56	26	54%
	2x28W T8	49	32	35%
	2x32W T8	56	32	43%
	3x32W T8	75	32	57%
	3x28W T8	64	40	38%
	3x32W T8	75	40	47%
	4x28W T8	97	40	59%
	4x32W T8	112	40	64%
4x28W T8	97	50	48%	
4x32W T8	116	50	57%	



Ordering Guide

PANELF	2B	/	OXX	UNX	D	8	XX	/	XX	G	/	WH	/	X
Product Name	Generation		Wattage	Voltage	Dimming	CRI	Color Temp		Dimensions	Mounting		Color/Finish		Options
PANELF =	2B		020 = 20 Watts	UNV = 120-277V	D = 0-10V	8 =>80	35 = 3500K		14 = 1x4	G = Grid		WH = White		Blank = No Option
Edge-Lit			026 = 26 Watts	UNH = 120-347V			40 = 4000K		22 = 2x2					E = Emergency
Flat Panel			032 = 32 Watts				50 = 5000K		24 = 2x4					Back-Up
			050 = 50 Watts											

Ordering Information

Item Number	Ordering Abbreviation	Wattage (W)	Voltage (V)	Dimming	CRI	CCT	Dimensions	Lumens	LPW	Options	MTO*	Case Qty.
61603	PANELF2B/026UNVD835/14G/WH	26	120-277	0-10V	>80	3500K	1x4	3250	125	-	-	6
60295†	PANELF2B/032UNVD835/24G/WH	32	120-277	0-10V	>80	3500K	2x4	4160	125	-	-	3
60344†	PANELF2B/050UNVD840/24G/WH	50	120-277	0-10V	>80	4000K	2x4	6250	125	-	-	3
61607	PANELF2B/020UNVD840/22G/WH	20	120-277	0-10V	>80	4000K	2x2	2500	125	-	-	6
60310	PANELF2B/026UNVD835/14G/WH/E	26	120-277	0-10V	>80	3500K	1x4	3250	125	Emergency Battery Back-up	MTO	5
60324	PANELF2B/026UNVD850/24G/WH/E	26	120-277	0-10V	>80	5000K	2x4	3380	125	Emergency Battery Back-up	MTO	3
60298	PANELF2B/032UNVD835/24G/WH/E	32	120-277	0-10V	>80	3500K	2x4	4160	125	Emergency Battery Back-up	MTO	3
60347	PANELF2B/050UNVD840/24G/WH/E	50	120-277	0-10V	>80	4000K	2x4	6250	125	Emergency Battery Back-up	MTO	3
60353	PANELF2B/020UNVD840/22G/WH/E	20	120-277	0-10V	>80	4000K	2x2	2500	125	Emergency Battery Back-up	MTO	5
60317	PANELF2B/026UNVD840/22G/WH/E	26	120-277	0-10V	>80	4000K	2x2	3250	125	Emergency Battery Back-up	MTO	5
60272†	PANELF2B/032UNVD840/24G/WH	32	120-347	0-10V	>80	4000K	2x4	4160	125	-	-	3

*Made To Order

†Indicates that the product is discontinued with inventory

Photometrics

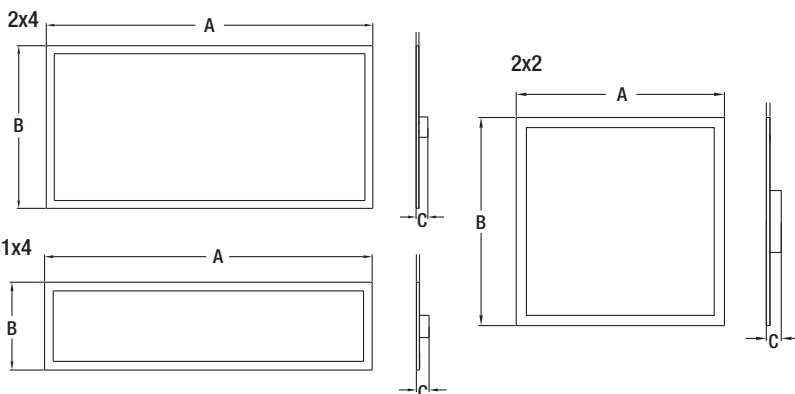
- Average Illuminance (FC) at 30" AFF and avg/min uniformity
- 80/50/20 Reflectances
- Calculations are based on 110ft x 50ft area

			8 ft Mounting Height			10 ft Mounting Height			12 ft Mounting Height		
			On Center Fixture Spacing								
			8'x10'	10'x10'	10'x12'	8'x10'	10'x10'	10'x12'	8'x10'	10'x10'	10'x12'
1'x4'	20W	PANELF2B/020UNVD8XX/14G/WH	30fc/1.5	25fc/1.3	21fc/1.7	29fc/1.6	24fc/1.5	20fc/1.7	28fc/1.7	23fc/1.5	19fc/1.7
	26W	PANELF2B/026UNVD8XX/14G/WH	40fc/1.6	33fc/1.4	28fc/1.8	39fc/1.7	32fc/1.5	27fc/1.8	37fc/1.7	31fc/1.6	26fc/1.8
2'x2'	20W	PANELF2B/020UNVD8XX/22G/WH	32fc/1.5	27fc/1.3	22fc/1.8	31fc/1.6	26fc/1.4	21fc/1.7	30fc/1.6	25fc/1.5	21fc/1.7
	26W	PANELF2B/026UNVD8XX/22G/WH	40fc/1.5	33fc/1.3	28fc/1.8	39fc/1.6	32fc/1.4	27fc/1.7	37fc/1.6	31fc/1.5	26fc/1.7
2'x4'	26W	PANELF2B/026UNVD8XX/24G/WH	42fc/1.5	35fc/1.3	29fc/1.7	41fc/1.6	34fc/1.4	28fc/1.7	39fc/1.6	33fc/1.5	27fc/1.7
	32W	PANELF2B/032UNVD8XX/24G/WH	53fc/1.5	44fc/1.3	36fc/1.7	51fc/1.6	43fc/1.4	35fc/1.7	49fc/1.6	41fc/1.5	34fc/1.7
	50W	PANELF2B/050UNVD8XX/24G/WH	73fc/1.5	60fc/1.3	50fc/1.7	70fc/1.6	59fc/1.5	49fc/1.7	67fc/1.7	56fc/1.6	47fc/1.7

Physical Information

Lamp Description	(A) Length in.	(B) Width in.	(C) Height in.
1x4	47.8	11.8	1.7
2x2	23.82	23.82	1.7
2x4	47.8	21.5	1.7
1x4 EM	47.8	11.8	2.6
2x2 EM	23.82	23.82	2.6
2x4 EM	47.8	21.5	2.6

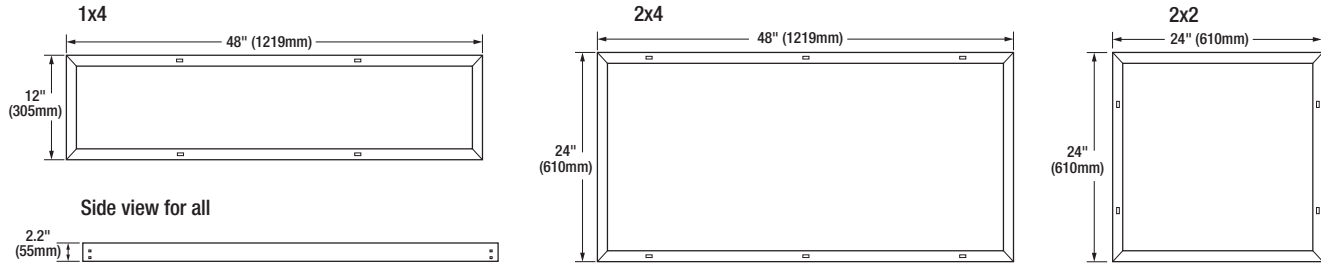
Weight: 1x4, 2x2: 8.3 lbs (3.8kg) 1x4 EM, 2x2 EM: 10.5 lbs (4.8kg) 2x4: 13.4 lbs (6.1kg) 2x4 EM: 15.6 lbs (7.1kg)



Mounting Accessories

Item Number	Ordering Abbreviation	Item Description
70132*	SMKIT1A/14A/WH	1x4 Surface Mount Kit, White Finish
70380*	SMKIT1A/22A/WH	2x2 Surface Mount Kit, White Finish
70381*	SMKIT1A/24A/WH	2x4 Surface Mount Kit, White Finish
60457	FK1A14GWH	1x4 Flange Kit, White Finish
60458	FK1A22GWH	2x2 Flange Kit, White Finish
60459	FK1A24GWH	2x4 Flange Kit, White Finish

*Not compatible with emergency battery back-up units.

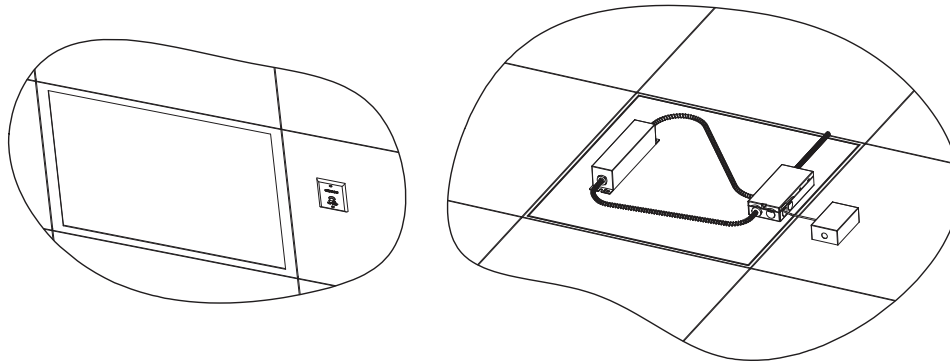


Options Information

Emergency Battery Backup:

Activates when normal power supply to the fixture fails, providing a minimum of 650 lumens (700 nominal lumens) for at least 90 minutes.

Location of Emergency Test Switch



Name: _____

Email: _____

Phone: _____

