

LED Luminaires

Surface Mount Downlights

- Low Profile Surface Mount Design
- Selectable Color
- 24-Fixture Contractor Pack Option
- Optional Integral Motion Sensor



Specifications

Description

The Surface Mount Downlight Series is a family of 4", 6" and 8" round downlights with selectable CCT and dedicated lumen output options. The removeable, concave lens is designed to perfectly integrate with the gently angled metal housing, blending easily into any ceiling. Keep the same fixture profile and save energy with an optional center mounted, integral PIR sensor. Save time, money, and package waste with a 24-fixture contractor pack.

Performance

- Selectable color temperatures
2700K, 3000K, 3500K, 4000K, 5000K
- Up to 97 lumens per watt
- High CRI 90+
- L70 Lumen maintenance > 50,000 hours
- Triac dimmable
- 5 Year limited warranty

Certifications

- cULus
- Energy Star® certified
- Wet location
- RoHS compliant
- FCC Part 15 compliant
- Title 24 compliant
- Suitable for use in closets when installed in accordance with NFPA 70, NEC section 410.16 (A)(3) and 410.16 (C)(5)

Applications

- Residential
- Commercial office buildings
- Hallways
- K-12 Schools, Colleges and Universities

Construction

- Powder coated, stamped steel housing
- Frosted acrylic lens

PIR Motion Sensor

- The time-out for the PIR Motion Sensor is not adjustable and is pre-set at 30 seconds.
- Motion Sensor product is non-dimmable
- The motion sensor can detect motion up to 23ft diameter when mounted at 11.5"

Surface Mount Downlights

Ordering Logic:

Series	Size/Shape	CRI/CCT	Driver	Options
SMD = Surface Mount Downlight	4 = 4" Round 6 = 6" Round 8 = 8" Round	930 ¹ = 90 CRI, 3000K ¹ CS ³ = 90 CRI, Color Selectable 2700K-3000K-3500K-4000K-5000K	120V = 120V, 50/60 Hz, Triac Dimmable	PIR ² = Integral PIR Sensor 24PK = 24 Pack Master Carton

- 1) Only available with 24PK master pack option.
 2) PIR option available with 4" & 6" fixtures only.
 3) PIR fixtures available with 3 CCT select only, (3000K, 4000K, 5000K)

Ordering Information

Product SKU	Product Code	Product Description	Replaces	Energy Star ID
83890	SMD-4-CS-120V	Surface Mount Downlight 4in 10W 850 Lumens 2700-5000K Color Selectable 120V Triac Dim	82993	3722057
83891	SMD-6-CS-120V	Surface Mount Downlight 6in 15W 1230 Lumens 2700-5000K Color Selectable 120V Triac Dim	82994	3722058
83892	SMD-8-CS-120V	Surface Mount Downlight 8in 18W 1500 Lumens 2700-5000K Color Selectable 120V Triac Dim	82995	3798788
83893	SMD-4-CS-120V-PIR	Surface Mount Downlight 4in 10W 820 Lumens 3000-4000-5000K Color Selectable 120V Triac Dim PIR Motion Sensor		3722059
83894	SMD-6-CS-120V-PIR	Surface Mount Downlight 6in 15W 1250 Lumens 3000-4000-5000K Color Selectable 120V Triac Dim PIR Motion Sensor	82996	3722060
83895	SMD-6-930-120V-24PK	Surface Mount Downlight 6in 15W 1230 Lumens 3000K 120V Triac Dim 24 Pack		3722062
83896	SMD-6-CS-120V-24PK	Surface Mount Downlight 6in 15W 1230 Lumens 2700-5000K Color Selectable 120V Triac Dim 24 Pack		3722058
Accessories				
83910	SMD-4-TRM-BK	Surface Mount Downlight 4in Round Trim Black		
83911	SMD-4-TRM-BN	Surface Mount Downlight 4in Round Trim Brushed Nickel		
83912	SMD-4-TRM-BC	Surface Mount Downlight 4in Round Trim Brushed Copper		
83913	SMD-4-TRM-DB	Surface Mount Downlight 4in Round Trim Dark Bronze		
83914	SMD-6-TRM-BK	Surface Mount Downlight 6in Round Trim Black		
83915	SMD-6-TRM-BN	Surface Mount Downlight 6in Round Trim Brushed Nickel		
83916	SMD-6-TRM-BC	Surface Mount Downlight 6in Round Trim Brushed Copper		
83917	SMD-6-TRM-DB	Surface Mount Downlight 6in Round Trim Dark Bronze		
83918	SMD-8-TRM-BK	Surface Mount Downlight 8in Round Trim Black		
83919	SMD-8-TRM-BN	Surface Mount Downlight 8in Round Trim Brushed Nickel		
83920	SMD-8-TRM-BC	Surface Mount Downlight 8in Round Trim Brushed Copper		
83921	SMD-8-TRM-DB	Surface Mount Downlight 8in Round Trim Dark Bronze		
83922	SMD-4-E26-KIT	Surface Mount Downlight 4in E26 Adapter Mounting Kit		
83923	SMD-6-8-E26-KIT	Surface Mount Downlight 6in and 8in E26 Adapter Mounting Kit		

Surface Mount Downlights

Performance Table

Product Code	Selectable Wattage	2700K		3000K		3500K		4000K		5000K	
		Lumen (lm)	Efficacy (lm/W)	Lumen (lm)	Efficacy (lm/W)	Lumen (lm)	Efficacy (lm/W)	Lumen (lm)	Efficacy (lm/W)	Lumen (lm)	Efficacy (lm/W)
SMD-4-CS-120V	10	873	88	920	94	936	97	937	96	914	93
SMD-6-CS-120V	15	1240	84	1331	92	1370	96	1365	95	1309	90
SMD-8-CS-120V	18	1537	87	1589	90	1630	93	1646	94	1617	91
SMD-4-CS-120V-PIR	10			828	86			927	93	873	90
SMD-6-CS-120V-PIR	15			1311	90			1376	93	1323	91
SMD-6-930-120V	15			1267	85						

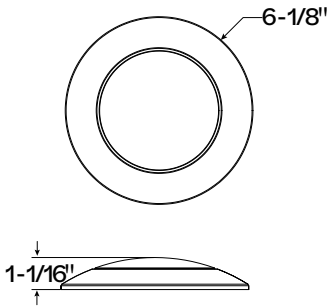
Specifications Table

	SMD-4-CS-120V	SMD-6-CS-120V	SMD-8-CS-120V	SMD-4-CS-120V-PIR	SMD-6-CS-120V-PIR
Nominal Wattage	10W	15W	18W	10W	15W
Delivered Lumens	850	1230	1500	820	1250
Efficacy (lm/W)	85 LPW	82 LPW	83 LPW	82 LPW	82 LPW
CCT	Selectable 2700K, 3000K, 3500K, 4000K or 5000K	Selectable 2700K, 3000K, 3500K, 4000K or 5000K	Selectable 2700K, 3000K, 3500K, 4000K or 5000K	Selectable 3000K, 4000K or 5000K	Selectable 3000K, 4000K or 5000K
CRI	>90				
L70 Lifetime (hrs)	>50,000				
Voltage	120V, 50/60 Hz				
Power Factor	>0.9				
Dimming	Yes (Triac)				
Housing Material	Powder Coated Stamped Steel				
Lens	Frosted Acrylic				
Operating Temp. Min	-20C				
Operating Temp. Max	40C				
Listings	UL Listed - Energy Star® Downlight V 1.0 - FCC - RoHS - Wet Location - Title 24				
Environment	Wet Location				
Warranty (Years)	5 Years				
Weight (lbs)	0.44	0.64	1.12	0.41	0.56

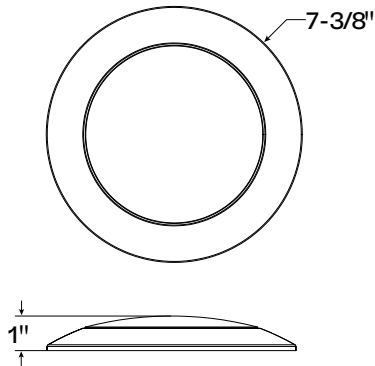
Surface Mount Downlights

Dimensions

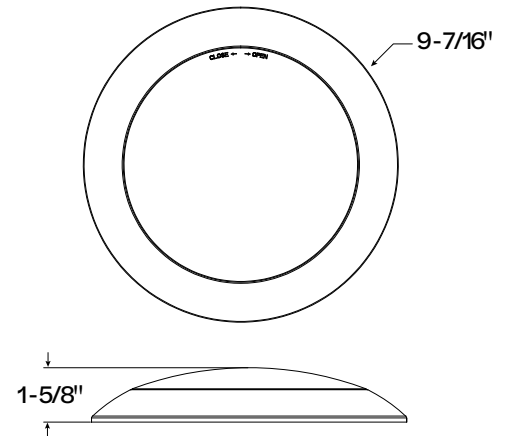
4" Surface Mount Downlight
SMD-4-CS-120V



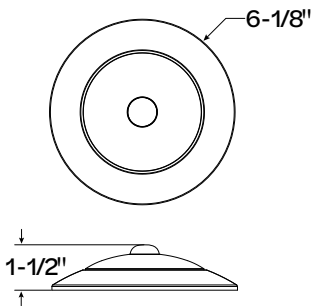
6" Surface Mount Downlight
SMD-6-CS-120V



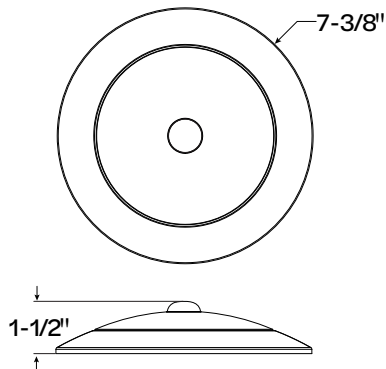
8" Surface Mount Downlight
SMD-8-CS-120V



4" Surface Mount Downlight with
PIR SMD-4-CS-120V-PIR



6" Surface Mount Downlight with
PIR SMD-6-CS-120V-PIR

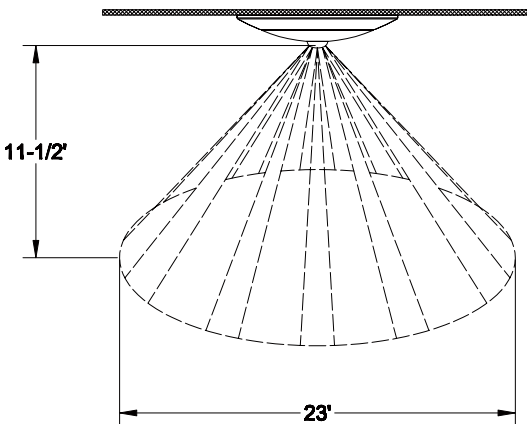


Surface Mount Downlights

Driver Compatibility List

Dimmer Compatibility List		
Dimmer Brand	Series	Dimmer Model
LUTRON	Maestro C-L	MACL-153M
LUTRON	Skylark C-L	SCL-153P
LUTRON	Diva C-L	DVCL-153P
LEGRAND	Radiant	RHCL453PTC
LEGRAND	Harmony	DCL453PTCCCV6
LEGRAND	Harmony	HCL453PTCCCV6
LUTRON	Skylark	CTCL-153PDH-WH
LUTRON	Toggler	TGCL-153PH-WH
LEVITON	Illumena Tech	R50-IPL06-10M
LUTRON	Diva C-L	DVWCL-153PH-WH

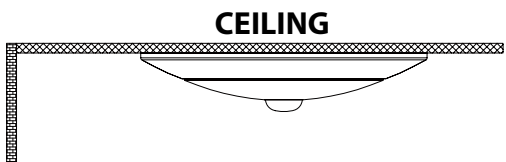
PIR Sensor Detection Range



Angle - 120°

Sensor timeout: 30s

Note: Sensor settings cannot be adjusted.

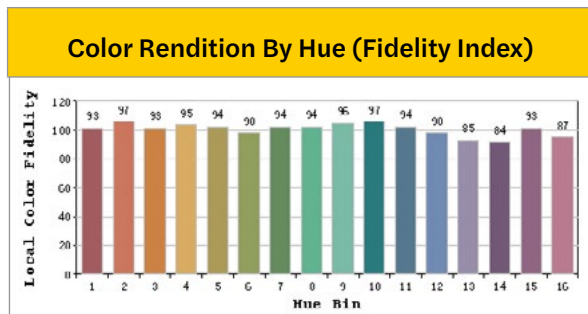
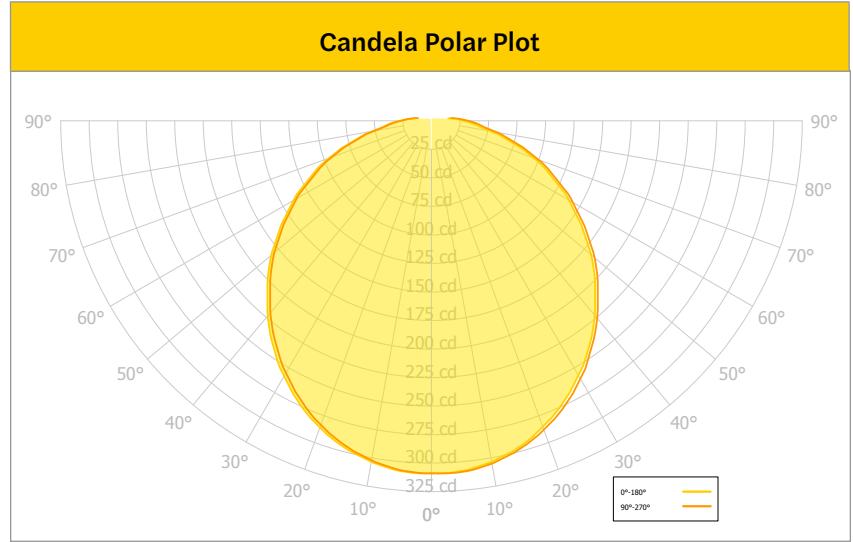
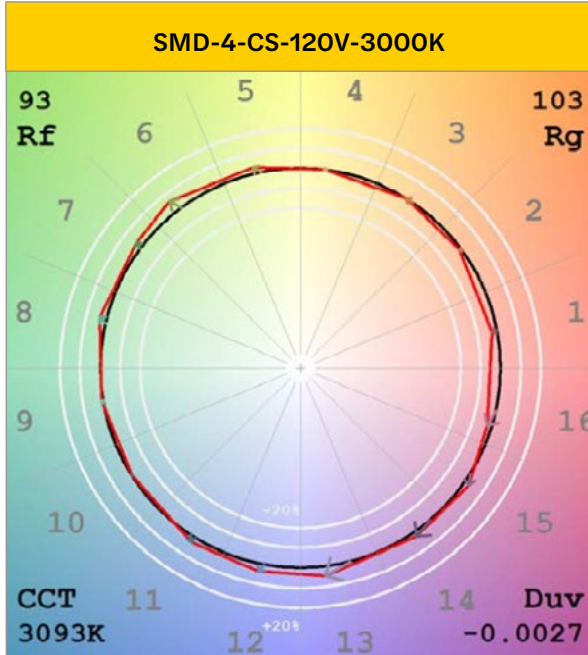


Surface Mount Downlights

Photometrics*

SMD-4-CS-120V-3000K

*The below diagrams and zonal lumen summaries represent each fixture at highest wattage selection and at 3000K. For complete photometry/IES files, please visit our website.



Color Metrics	
RF	93
RG	103

Zonal Lumen Summary		
Zone	Lumens	%Lamp
0° - 10°	30.94	3.36%
10° - 20°	83.01	9.02%
20° - 30°	124.95	13.58%
30° - 40°	149.57	16.26%
40° - 50°	154.56	16.80%
50° - 60°	140.44	15.27%
60° - 70°	110.19	11.98%
70° - 80°	70.01	7.61%
80° - 90°	31.36	3.41%
0° - 90°	895.03	97.29%

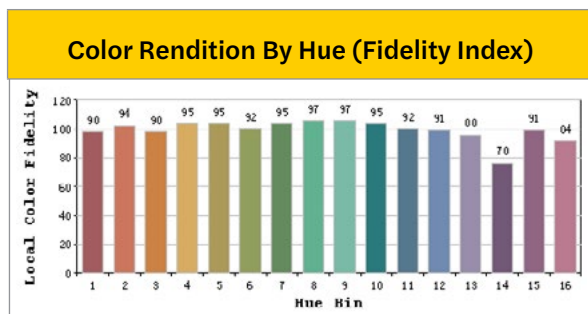
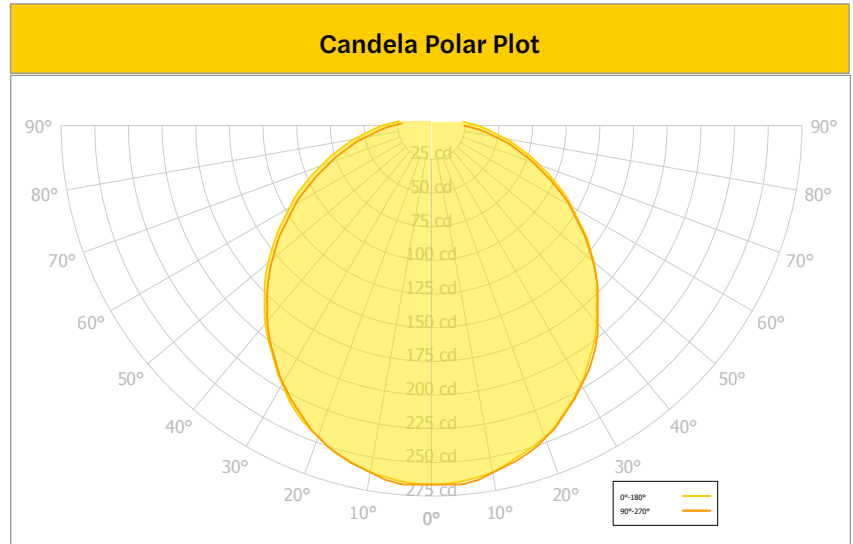
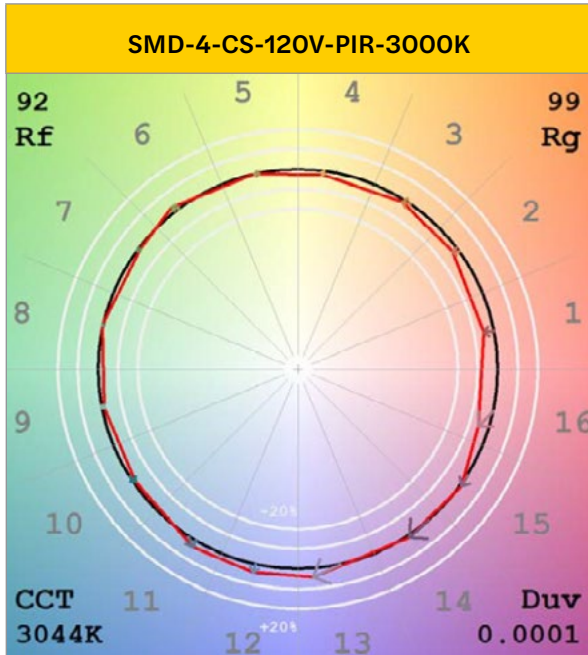
Spacing Criterion	
0-270°	1.23
90°-180°	1.24

Surface Mount Downlights

Photometrics*

SMD-4-CS-120V-PIR-3000K

*The below diagrams and zonal lumen summaries represent each fixture at highest wattage selection and at 3000K. For complete photometry/IES files, please visit our website.



Color Metrics

RF	92
RG	99

Zonal Lumen Summary

Zone	Lumens	%Lamp
0° - 10°	30.94	3.36%
10° - 20°	83.01	9.02%
20° - 30°	124.95	13.58%
30° - 40°	149.57	16.26%
40° - 50°	154.56	16.80%
50° - 60°	140.44	15.27%
60° - 70°	110.19	11.98%
70° - 80°	70.01	7.61%
80° - 90°	31.36	3.41%
0° - 90°	895.03	97.29%
90° - 180°	37.6	4.6%
0° - 180°	822.1	100%

Spacing Criterion

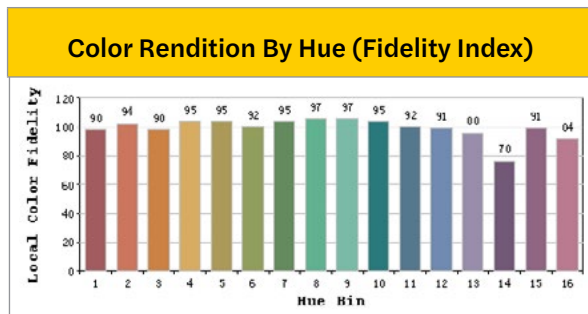
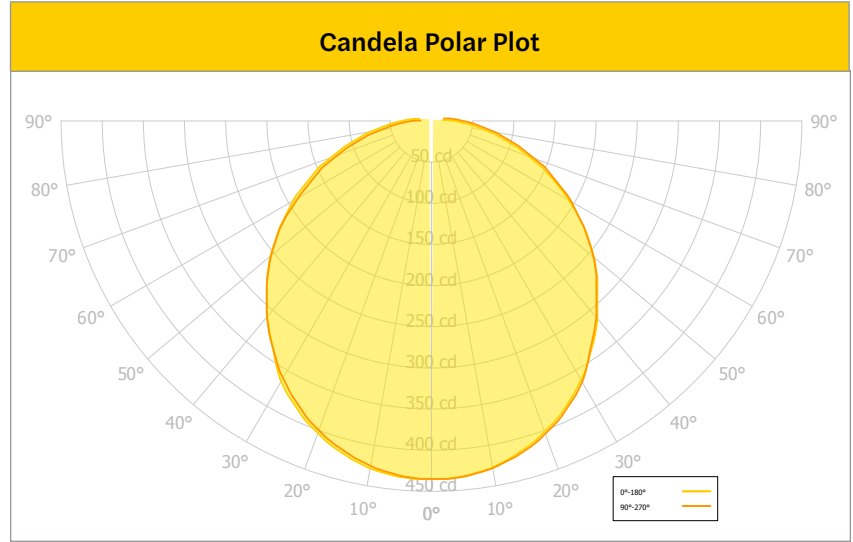
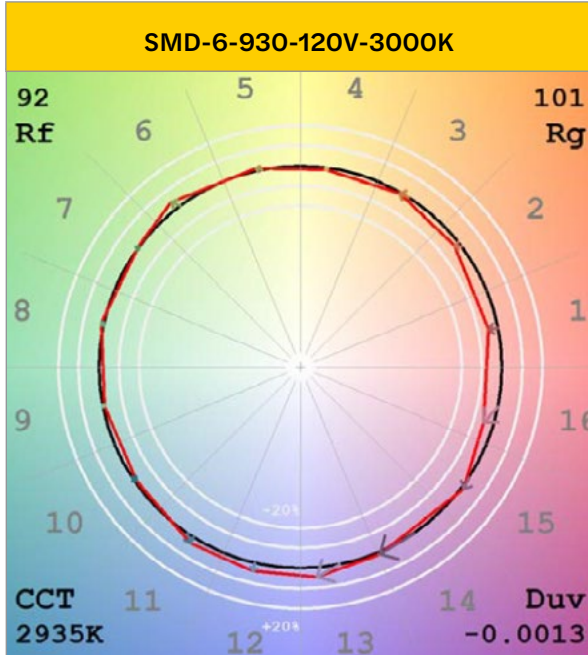
0-270°	1.23
90°-180°	1.24

Surface Mount Downlights

Photometrics*

SMD-6-930-120V-3000K

*The below diagrams and zonal lumen summaries represent each fixture at highest wattage selection and at 3000K. For complete photometry/IES files, please visit our website.



Color Metrics

RF	92
RG	101

Zonal Lumen Summary

Zone	Lumens	%Lamp
0° - 10°	26.65	3.24%
10° - 20°	71.42	8.69%
20° - 30°	107.41	13.06%
30° - 40°	128.35	15.61%
40° - 50°	132.37	16.10%
50° - 60°	119.78	14.57%
60° - 70°	94.82	11.53%
70° - 80°	65.47	7.96%
80° - 90°	38.00	4.62%
0° - 90°	784.29	95.38%

Spacing Criterion

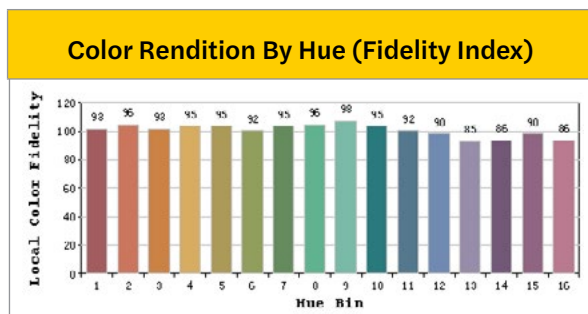
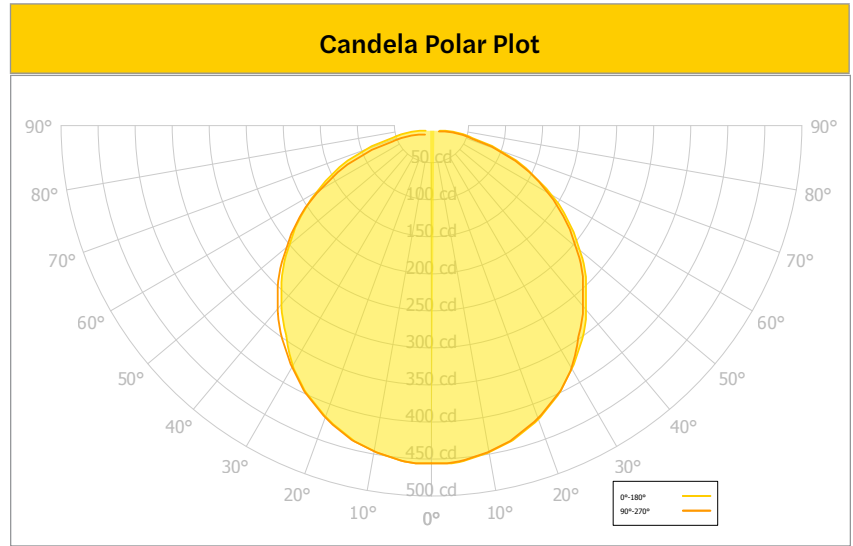
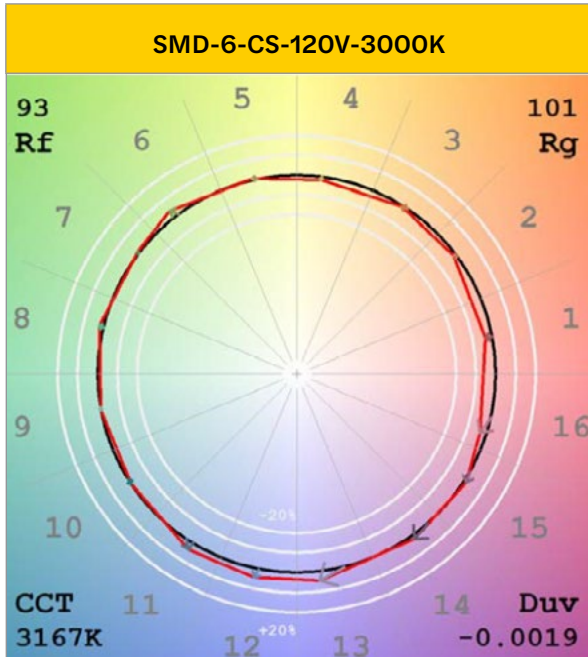
0-270°	1.23
90°-180°	1.24

Surface Mount Downlights

Photometrics*

SMD-6-CS-120V-3000K

*The below diagrams and zonal lumen summaries represent each fixture at highest wattage selection and at 3000K. For complete photometry/IES files, please visit our website.



Zonal Lumen Summary		
Zone	Lumens	%Lamp
0° - 10°	43.57	3.44%
10° - 20°	116.90	9.22%
20° - 30°	176.00	13.88%
30° - 40°	209.30	16.51%
40° - 50°	215.69	17.02%
50° - 60°	195.17	15.40%
60° - 70°	150.19	11.85%
70° - 80°	91.11	7.19%
80° - 90°	34.23	2.70%
0° - 90°	1232.16	97.20%
90° - 180°	36.89	2.77%
0° - 180°	1331.38	100%

Spacing Criterion	
0-270°	1.24
90°-180°	1.23

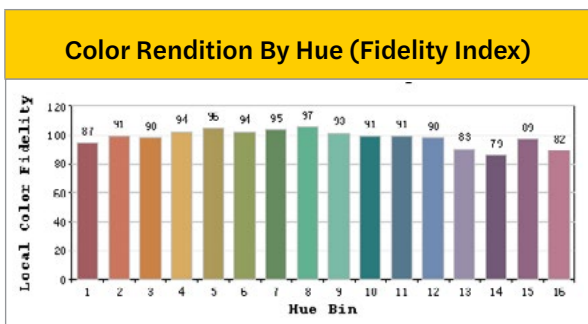
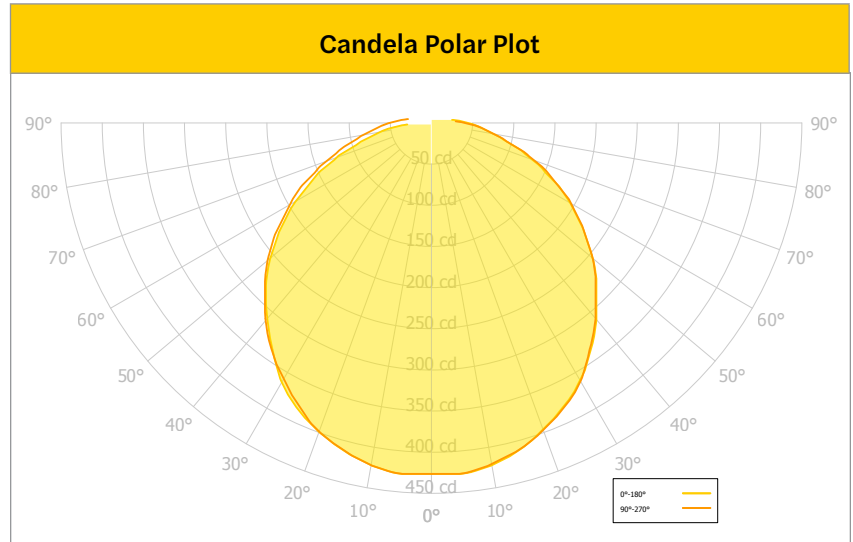
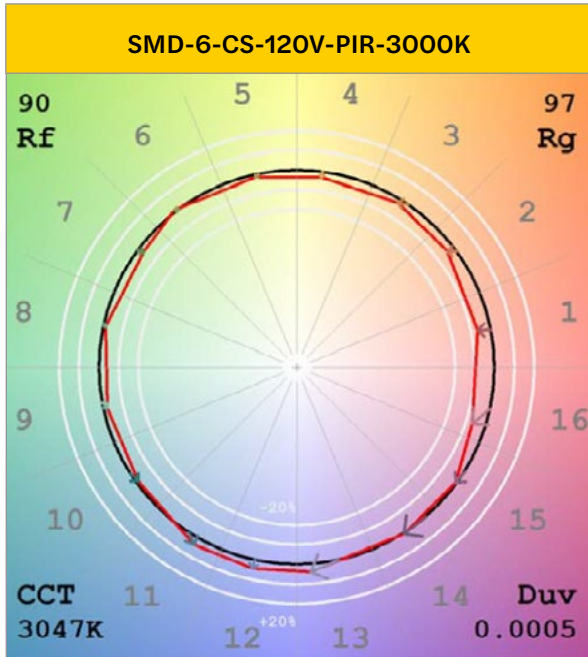
Color Metrics	
RF	93
RG	101

Surface Mount Downlights

Photometrics*

SMD-6-CS-120V-PIR-3000K

*The below diagrams and zonal lumen summaries represent each fixture at highest wattage selection and at 3000K. For complete photometry/IES files, please visit our website.



Color Metrics

RF	90
RG	97

Zonal Lumen Summary

Zone	Lumens	%Lamp
0° - 10°	51.93	3.31%
10° - 20°	139.86	8.91%
20° - 30°	212.11	13.52%
30° - 40°	256.45	16.35%
40° - 50°	266.28	16.97%
50° - 60°	242.90	15.48%
60° - 70°	189.58	12.08%
70° - 80°	117.22	7.47%
80° - 90°	50.71	3.23%
0° - 90°	1527.05	97.33%
90° - 180°	53.05	4.05%
0° - 180°	1308.94	100%

Spacing Criterion

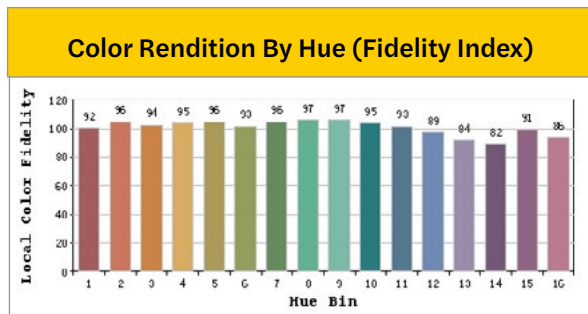
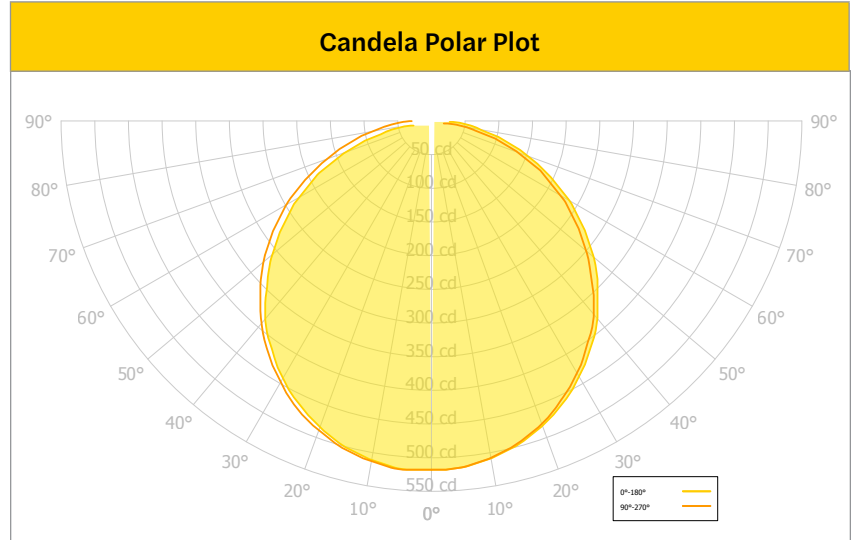
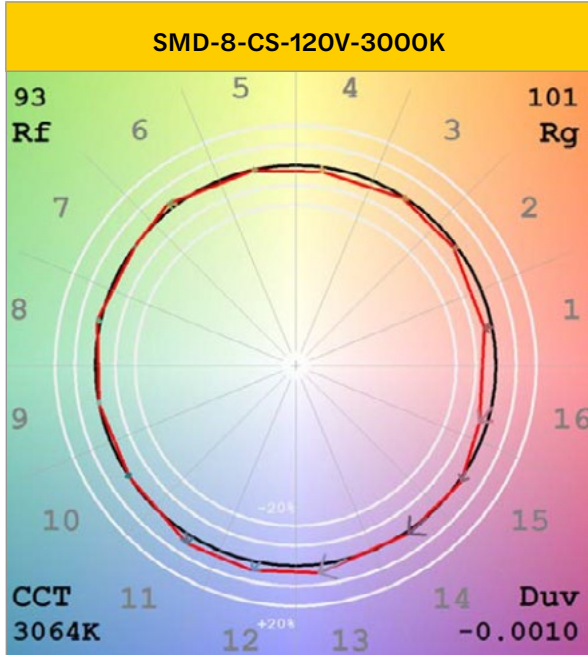
0-270°	1.25
90°-180°	1.24

Surface Mount Downlights

Photometrics*

SMD-8-CS-120V-3000K

*The below diagrams and zonal lumen summaries represent each fixture at highest wattage selection and at 3000K. For complete photometry/IES files, please visit our website.



Color Metrics

RF	93
RG	101

Zonal Lumen Summary

Zone	Lumens	%Lamp
0° - 10°	51.93	3.31%
10° - 20°	139.86	8.91%
20° - 30°	212.11	13.52%
30° - 40°	256.45	16.35%
40° - 50°	266.28	16.97%
50° - 60°	242.90	15.48%
60° - 70°	189.58	12.08%
70° - 80°	117.22	7.47%
80° - 90°	50.71	3.23%
0° - 90°	1527.05	97.33%
90° - 180°	41.92	2.67%
0° - 180°	1568.97	100%

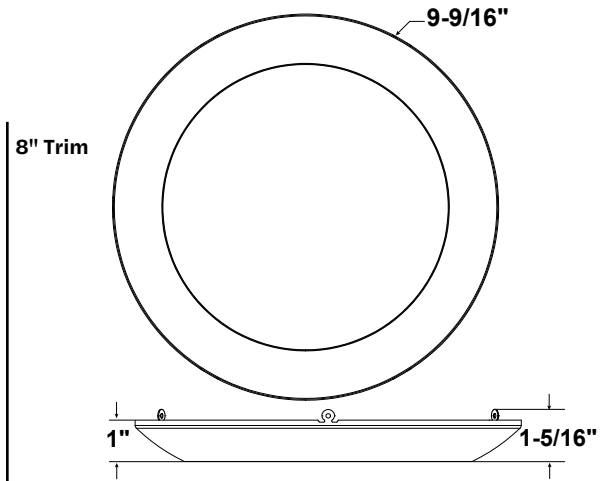
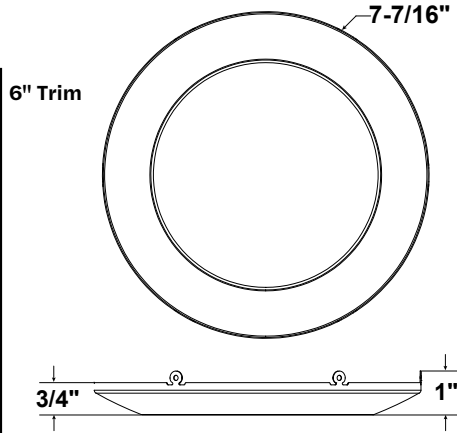
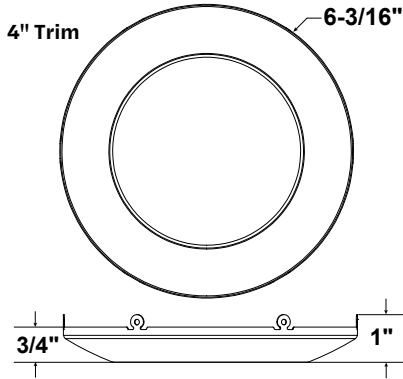
Spacing Criterion

0-270°	1.25
90°-180°	1.24

LED Luminaires

Surface Mount Downlights

Options & Accessories



Black



83910 - SMD-4-TRM-BK

Black



83914 - SMD-6-TRM-BK

Black



83918 - SMD-8-TRM-BK

Brushed Nickel



83911 - SMD-4-TRM-BN

Brushed Nickel



83915 - SMD-6-TRM-BN

Brushed Nickel



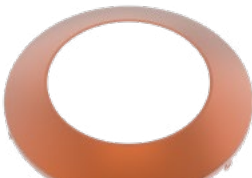
83919 - SMD-8-TRM-BN

Brushed Copper



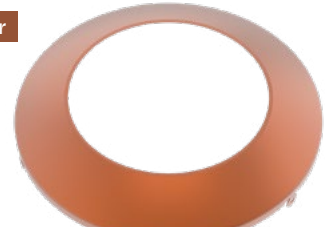
83912 - SMD-4-TRM-BC

Brushed Copper



83916 - SMD-6-TRM-BC

Brushed Copper



83920 - SMD-8-TRM-BC

Dark Bronze



83913 - SMD-4-TRM-DB

Dark Bronze



83917 - SMD-6-TRM-DB

Dark Bronze



83921 - SMD-8-TRM-DB