

# KT-RDLEDXXPS-XA-9CSF-VDIM-EM4

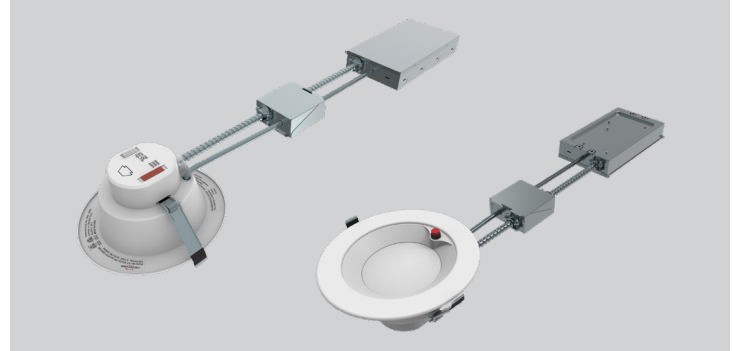
## LED RECESSED EMERGENCY DOWNLIGHT

### DESCRIPTION

LED Recessed Emergency Downlight | Power Select Technology  
Color Select Technology | Features Built-In 4W Emergency Pack

### APPLICATION

Ideal for hospitality, retail, office, and other retrofit and new construction applications



**5 YEAR  
WARRANTY**

### PRODUCT FEATURES

- Complete, pre-wired emergency downlight solution—including test button—removes all typical guesswork, uncertainty, and complex installation issues from battery backup downlight applications
- Keystone Power Select and Color Select technologies offer SKU reduction and allow for easy, on-the-job adjustments
- Built-in 4W LED Keystone SmartSafe emergency driver that is compliant with CEC T20
- Battery uses LifePO4 technology
- Designed with junction box and quick disconnects for easy installation
- Ideal for new construction, remodeling, and retrofit applications
- Smooth reflector trim offers clean, modern appearance
- Diffused lens reduces glare
- Interchangeable trims available in matte black and brushed nickel
- Powered by Keystone 0–10V dimming LED driver; 10–100% dimming
- Ambient operating temperature: 0°C/32°F to 40°C/104°F
- Suitable for use in dry and damp locations
- Airtight and Type IC-rated
- Power Factor: ≥0.90
- THD: <20%
- LED chip lifetime: L70 >80,000 hrs @ 25°C/77°F ambient fixture temp
- FCC Part 15, Subpart B, Class A

### PERFORMANCE SPECIFICATIONS OVERVIEW

Catalog Number	Preset Wattage	Preset CCT	Lumens	Efficacy	Input Voltage	Dimming	Emergency Wattage	Emergency Lumen Output	CRI	Lifetime
KT-RDLED24PS-6A-9CSF-VDIM-EM4	24W	4000K	2,450	102 lm/W	120–277V	0-10V	4W	400	>90	50,000 hrs
KT-RDLED30PS-8A-9CSF-VDIM-EM4	30W	4000K	3,000	100 lm/W	120–277V	0-10V			>90	50,000 hrs
KT-RDLED38PS-10A-9CSF-VDIM-EM4	38W	4000K	3,850	101 lm/W	120–277V	0-10V			>90	50,000 hrs

\* Color Select: Preset to (4000K)

\* Color Uniformity: CCT (Correlated Color Temperature) range as per guidelines outlined in ANSI C78.377-2017.

# KT-RDLEDXXPS-XA-9CSF-VDIM-EM4

## LED RECESSED EMERGENCY DOWNLIGHT

### PERFORMANCE SPECIFICATIONS DETAILED

Catalog Number	Selectable Wattage	Selectable CCT	Lumens	Efficacy	Input Voltage	Emergency Wattage	Emergency Lumen Output	CRI	Power Factor	Lifetime
KT-RDLED24PS-6A-9CSF-VDIM-EM4	24W	2700K	2,450	102 lm/W	120-277V	4W	400	>90	>0.9	50,000 hrs
		3000K	2,600	108 lm/W						
		3500K	2,700	113 lm/W						
		4000K	2,750	115 lm/W						
		5000K	2,750	115 lm/W						
	21W	2700K	2,200	105 lm/W						
		3000K	2,300	110 lm/W						
		3500K	2,350	112 lm/W						
		4000K	2,400	114 lm/W						
		5000K	2,400	114 lm/W						
	18.5W	2700K	1,950	105 lm/W						
		3000K	2,000	108 lm/W						
		3500K	2,150	116 lm/W						
		4000K	2,200	119 lm/W						
		5000K	2,200	119 lm/W						
	13W	2700K	1,450	112 lm/W						
		3000K	1,500	115 lm/W						
		3500K	1,550	119 lm/W						
		4000K	1,600	123 lm/W						
		5000K	1,600	123 lm/W						
9.5W	2700K	1,050	111 lm/W							
	3000K	1,100	116 lm/W							
	3500K	1,150	121 lm/W							
	4000K	1,200	126 lm/W							
	5000K	1,200	126 lm/W							
KT-RDLED30PS-8A-9CSF-VDIM-EM4	30W	2700K	3,000	100 lm/W	120-277V	4W	400	>90	>0.9	50,000 hrs
		3000K	3,300	110 lm/W						
		3500K	3,400	113 lm/W						
		4000K	3,400	113 lm/W						
		5000K	3,350	112 lm/W						
	27W	2700K	2,900	107 lm/W						
		3000K	3,100	115 lm/W						
		3500K	3,200	119 lm/W						
		4000K	3,200	119 lm/W						
	23W	5000K	3,200	119 lm/W						
		2700K	2,400	104 lm/W						
		3000K	2,600	113 lm/W						
		3500K	2,700	117 lm/W						

# KT-RDLEDXXPS-XA-9CSF-VDIM-EM4

## LED RECESSED EMERGENCY DOWNLIGHT

**PERFORMANCE SPECIFICATIONS DETAILED (CONTINUED)**

Catalog Number	Selectable Wattage	Selectable CCT	Lumens	Efficacy	Input Voltage	Emergency Wattage	Emergency Lumen Output	CRI	Power Factor	Lifetime
KT-RDLED30PS-8A-9CSF-VDIM-EM4	23W	4000K	2,700	117 lm/W	120-277V	4W	400	>90	>0.9	50,000 hrs
		5000K	2,700	117 lm/W						
	20W	2700K	2,200	110 lm/W						
		3000K	2,400	120 lm/W						
		3500K	2,450	123 lm/W						
		4000K	2,450	123 lm/W						
		5000K	2,450	123 lm/W						
	16W	2700K	1,850	116 lm/W						
		3000K	1,950	122 lm/W						
		3500K	2,050	128 lm/W						
		4000K	2,050	128 lm/W						
		5000K	2,050	128 lm/W						
	KT-RDLED38PS-10A-9CSF-VDIM-EM4	38W	2700K	3,850						
3000K			4,200	111 lm/W						
3500K			4,300	113 lm/W						
4000K			4,300	113 lm/W						
5000K			4,250	112 lm/W						
32W		2700K	3,300	103 lm/W						
		3000K	3,600	113 lm/W						
		3500K	3,700	116 lm/W						
		4000K	3,700	116 lm/W						
		5000K	3,650	114 lm/W						
28W		2700K	3,000	107 lm/W						
		3000K	3,200	114 lm/W						
		3500K	3,300	118 lm/W						
		4000K	3,300	118 lm/W						
		5000K	3,250	116 lm/W						
24W		2700K	2,600	108 lm/W						
		3000K	2,800	117 lm/W						
		3500K	2,900	121 lm/W						
		4000K	2,900	121 lm/W						
		5000K	2,850	119 lm/W						
20W		2700K	2,300	115 lm/W						
		3000K	2,500	125 lm/W						
		3500K	2,600	130 lm/W						
		4000K	2,600	130 lm/W						
	5000K	2,550	128 lm/W							

\* Preset to highest CCT: 4000K  
Color Uniformity: CCT (Correlated Color Temperature) range as per guidelines outlined in ANSI C78.377-2017

# KT-RDLEDXXPS-XA-9CSF-VDIM-EM4

## LED RECESSED EMERGENCY DOWNLIGHT

### POWER SELECT (WATTAGE) AND COLOR SELECT (CCT) ADJUSTMENT

This fixture is equipped with field-adjustable Keystone Power Select and Color Select technology.

1. Ensure power is off to the fixture.
2. Adjust dip switches to desired settings.

#### KT-RDLED24PS-6A-9CSF-VDIM-EM4

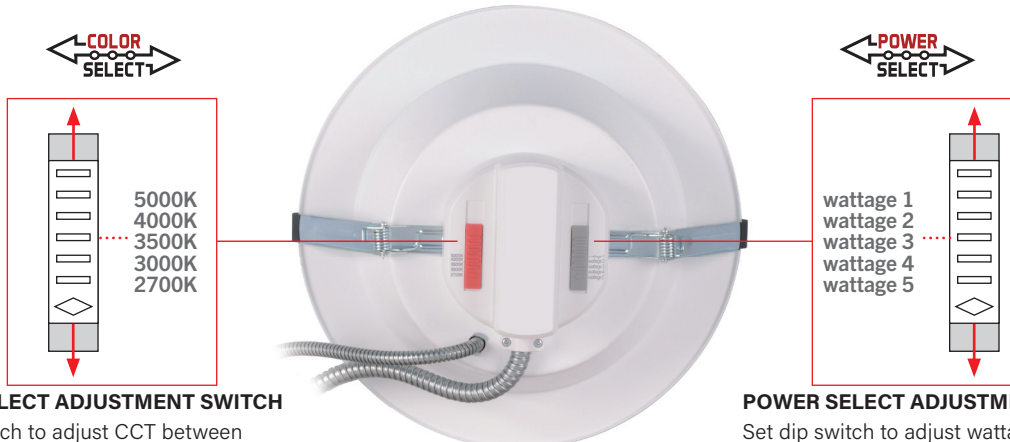
Wattage	CCT
24W	2700K
21W	3000K
18.5W	3500K
13W	4000K
9.5W	5000K

#### KT-RDLED30PS-8A-9CSF-VDIM-EM4

Wattage	CCT
30W	2700K
27W	3000K
23W	3500K
20W	4000K
16W	5000K

#### KT-RDLED38PS-10A-9CSF-VDIM-EM4

Wattage	CCT
38W	2700K
32W	3000K
28W	3500K
24W	4000K
20W	5000K



#### COLOR SELECT ADJUSTMENT SWITCH

Set dip switch to adjust CCT between three available CCTs. Fixture comes preset at highest CCT.

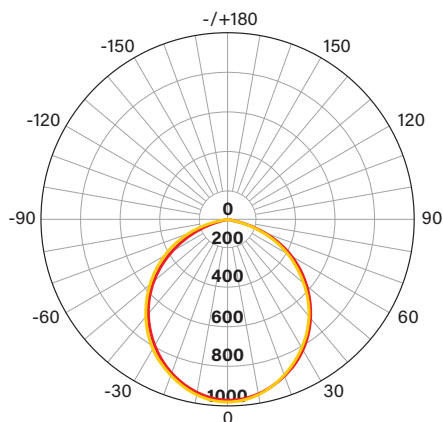
#### POWER SELECT ADJUSTMENT SWITCH

Set dip switch to adjust wattage between three available wattages. Fixture comes preset at highest wattage.

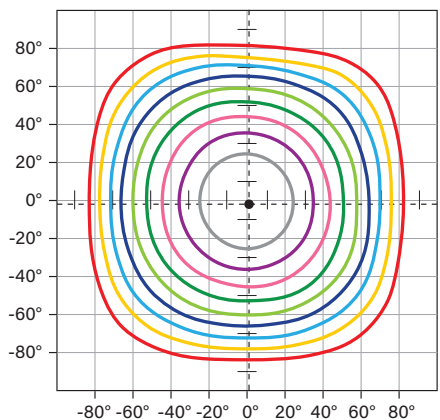
Note: Wattage on dip switch will read 3W higher to account for built-in EM

### PHOTOMETRIC SPECIFICATIONS (KT-RDLED24PS-6A-9CSF-VDIM-EM4)

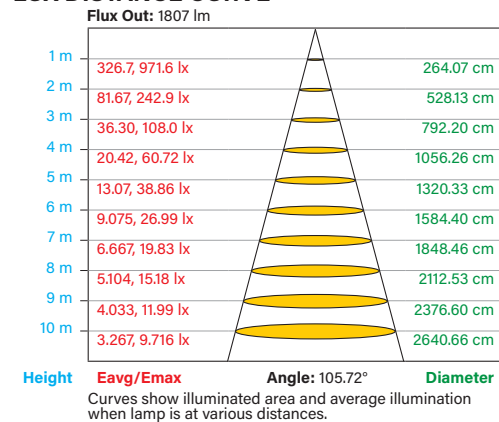
#### POLAR CANDELA DISTRIBUTION



#### ISOCANDELA PLOT



#### LUX DISTANCE CURVE

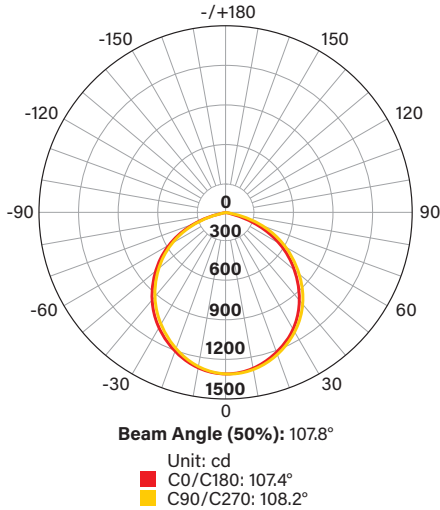


# KT-RDLEDXXPS-XA-9CSF-VDIM-EM4

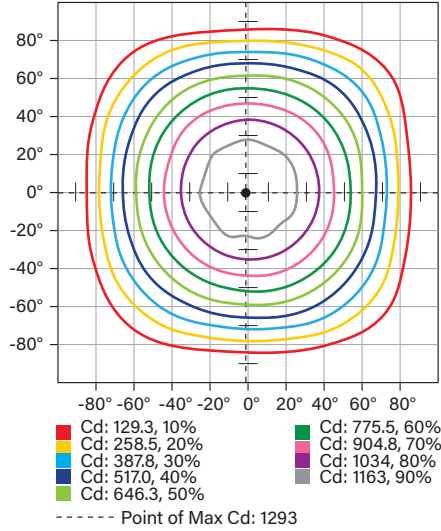
## LED RECESSED EMERGENCY DOWNLIGHT

### PHOTOMETRIC SPECIFICATIONS (KT-RDLED30PS-8A-9CSF-VDIM-EM4)

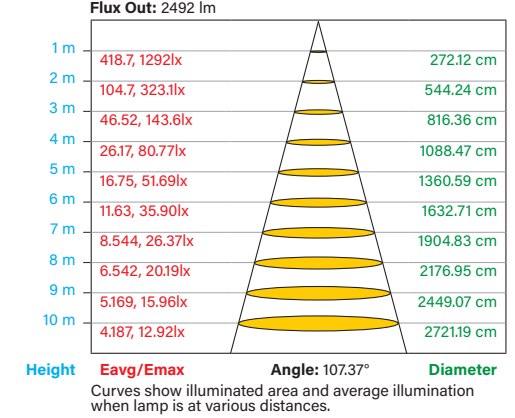
#### POLAR CANDELA DISTRIBUTION



#### ISOCANDELA PLOT

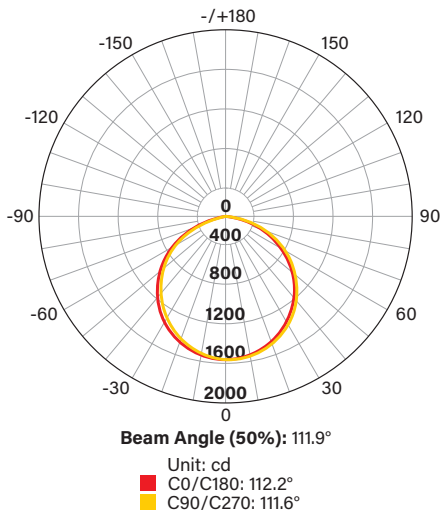


#### LUX DISTANCE CURVE

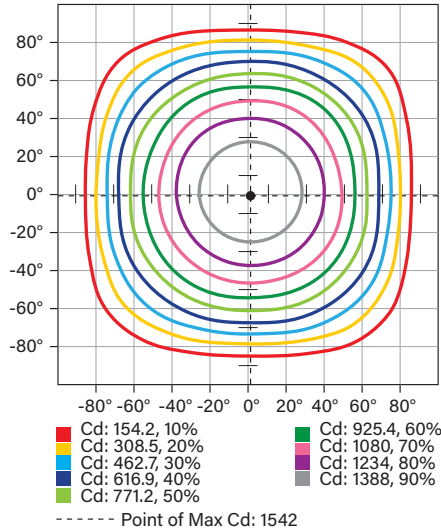


### PHOTOMETRIC SPECIFICATIONS (KT-RDLED38PS-10A-9CSF-VDIM-EM4)

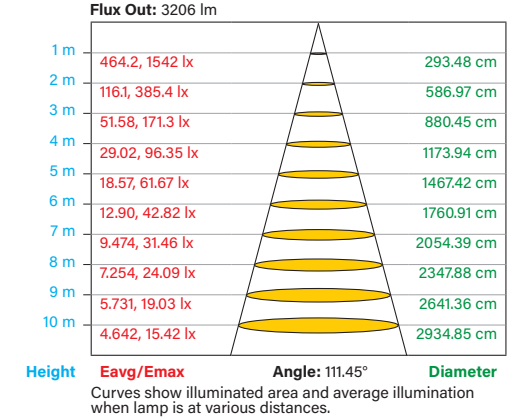
#### POLAR CANDELA DISTRIBUTION



#### ISOCANDELA PLOT



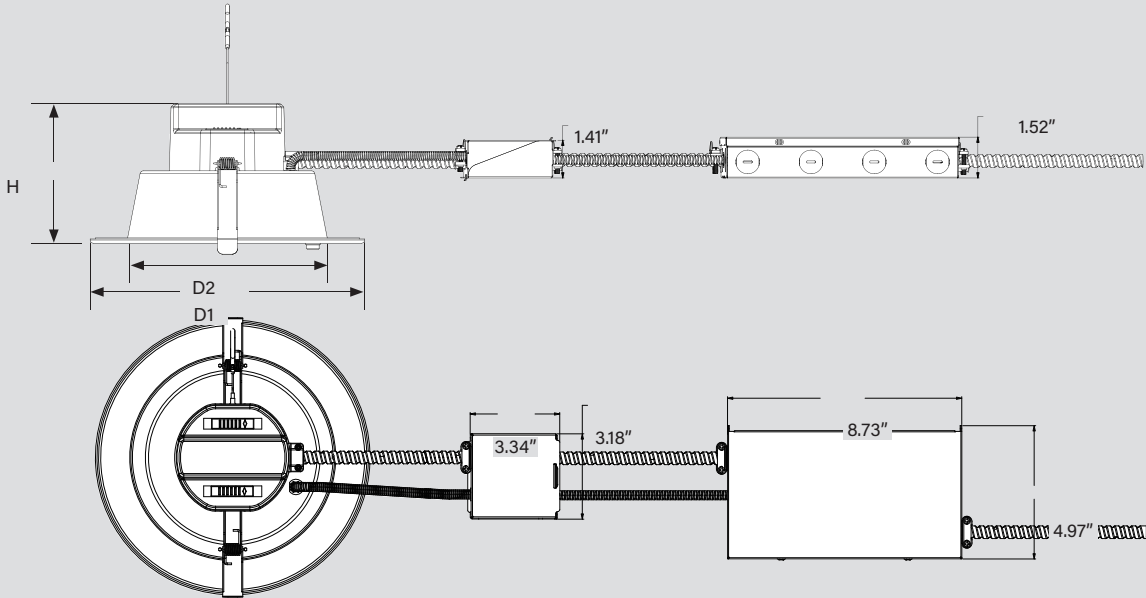
#### LUX DISTANCE CURVE



# KT-RDLEDXXPS-XA-9CSF-VDIM-EM4

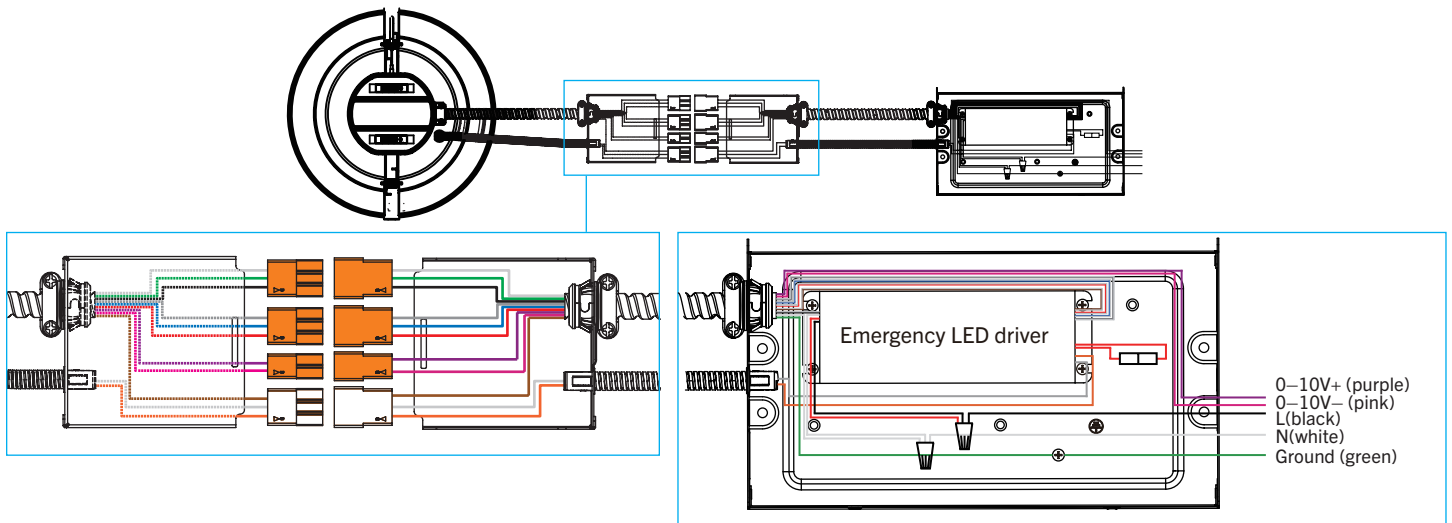
## LED RECESSED EMERGENCY DOWNLIGHT

### PHYSICAL SPECIFICATIONS



Catalog Number	Size	D1 (Diameter 1)	D2 (Diameter 2)	H (Height)	Cut-Out (Min to Max)
KT-RDLED24PS-6A-9CSF-VDIM-EM4	6"	8.27"	6.02"	4.72"	Ø 6.00" to Ø 7.50"
KT-RDLED30PS-8A-9CSF-VDIM-EM4	8"	10.24"	7.59"	5.20"	Ø 7.56" to Ø 9.44"
KT-RDLED38PS-10A-9CSF-VDIM-EM4	10"	11.30"	8.57"	5.65"	Ø 8.86" to Ø 9.65"

### WIRING SPECIFICATIONS



Note: Install in accordance with National Electric Code. Emergency pack and fixture driver must be on the same branch circuit. Ensure hot/live lead going to the black wire on the emergency LED driver is unswitched. When used with switched fixtures, the emergency pack must be wired ahead of the switch.

# KT-RDLEDXXPS-XA-9CSF-VDIM-EM4

## LED RECESSED EMERGENCY DOWNLIGHT

### INSTALLATION INSTRUCTIONS\*

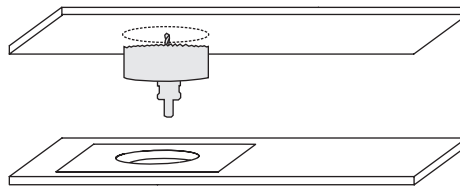
**1. Shut off power at the source of the fixture housing into which you are installing fixture.**

If retrofit, remove existing trim, CFL/ incandescent bulb, and ballast/ emergency ballast.

*Note:* Follow all federal and local regulations when disposing of lamps and removed components.

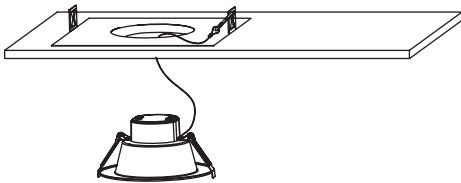
**2. Use template to cut appropriate sized hole in ceiling for fixture.**

If retrofit, measure existing ceiling opening to ensure that the edge of the luminaire will cover the entire opening and still sit firmly in the ceiling (see *Dimensions* on page 2).

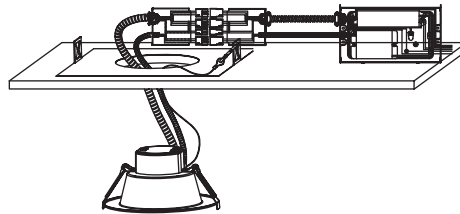


**3. Select desired Wattage and CCT using adjustment switches on fixture (see *Power Select (Wattage) and Color Select (CCT) Adjustment* on page 3).**

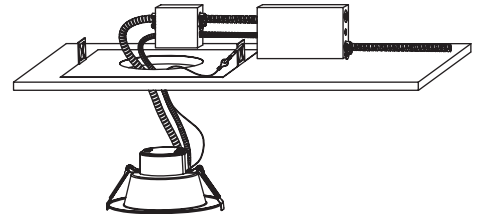
**4. Attach safety clip to structural point above plenum.**



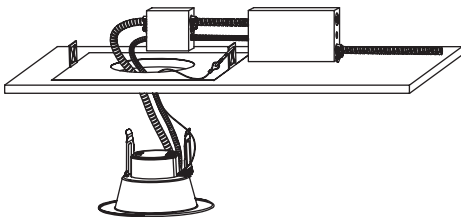
**5. Insert J-box with EM pack into ceiling and wire to power source. Install in accordance with local and national codes. (See *Wiring Diagram* on page 3). Close J-box cover when done.**



**6. Push connectors from downlight together with connectors from emergency pack J-box. Note that each connector is keyed to fit only with its corresponding counterpart. Snap connector box together to close.**

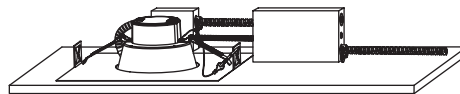


**7. Squeeze the two housing clips so they are in an upright position and then insert lamp into housing.**



**8. Once lamp is inside housing, release housing clips and continue to push lamp into housing until securely fixed and flush with ceiling.**

Restore power.



\* Keystone offers an optional new-construction plate for both new joist and T-grid installations. See *Optional Accessories* (sold separately) on page 6.

# KT-RDLEDXXPS-XA-9CSF-VDIM-EM4

## LED RECESSED EMERGENCY DOWNLIGHT

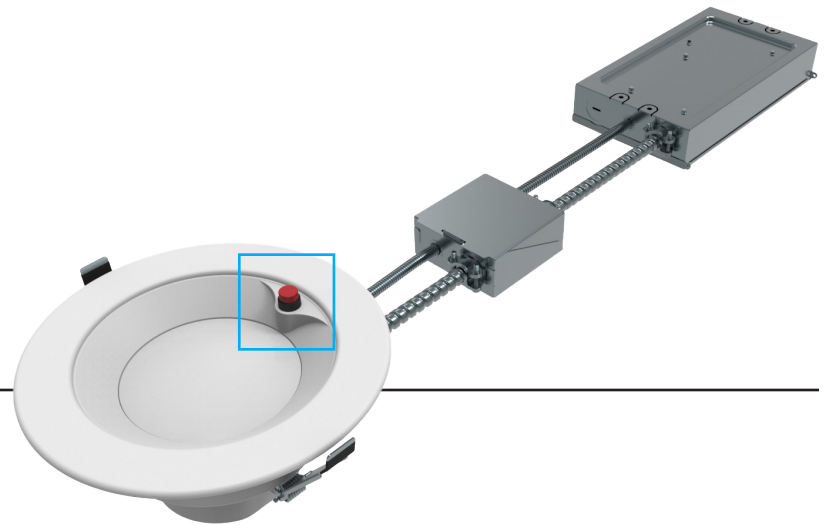
### OPERATION

#### NORMAL MODE

- AC power is present.
- The AC driver operates the LED load as designed.
- The emergency pack is charging in a standby mode.
- The test button will be lit, showing that the battery is charging.
- When battery is fully charged, test button will remain lit.

#### EMERGENCY MODE

- When the AC power goes out, the emergency pack detects the power outage and automatically switches to the emergency mode.
- The LED load is illuminated for a minimum of 90 minutes.
- The test button will not be lit.
- When AC power is restored, the emergency pack switches back to normal mode and starts re-charging.
- If emergency driver detects battery failure due to problems such as bad contact or charging issues, the test button will not be lit.
- Please contact a qualified electrician for inspection.



### TESTING PROCEDURES

1. Press the test button to cut the power to the AC driver and switch the system to emergency mode.
2. Release the test button to return to normal mode.
3. Switch off the circuit breaker to simulate a full power outage.
4. For initial testing, allow the unit to charge for approximately one (1) hour, then conduct a short discharge test.
5. Allow a 24-hour charge before conducting a one-hour test.

#### ROUTINE TESTING SCHEDULE

NFPA 101, Life Safety Code outlines the following schedule:

##### Monthly

1. Ensure that the test button light is illuminated.
2. Conduct a 30-second discharge test by depressing the test button.
3. The LED load should operate at reduced output.

##### Annually

1. Ensure that the test button is illuminated.
2. Conduct a full 90-minute discharge test.
3. The unit should operate as intended for the duration of the test.

*"Written records of the testing shall be kept by the owner for inspection by the authority having jurisdiction."*

# KT-RDLEDXXPS-XA-9CSF-VDIM-EM4

## LED RECESSED EMERGENCY DOWNLIGHT

### OPTIONAL ACCESSORIES (sold separately)

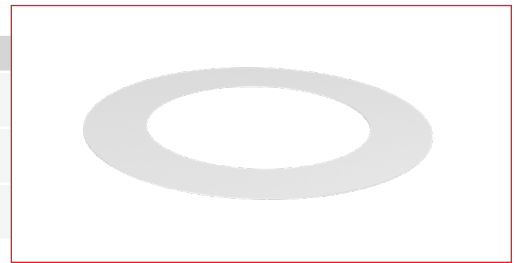
#### INTERCHANGEABLE TRIM

Catalog Number	Description	UPC	Easy Code
KT-RDLED-EM-6A-MB-TRIM	6" Interchangeable trim for 6" recessed emergency downlights; Matte black	843654137339	BRC-30
KT-RDLED-EM-6A-BN-TRIM	6" Interchangeable trim for 6" recessed emergency downlights; Brushed nickel	843654137353	ANR-37
KT-RDLED-EM-8A-MB-TRIM	8" Interchangeable trim for 8" recessed emergency downlights; Matte black	843654137346	TVP-14
KT-RDLED-EM-8A-BN-TRIM	8" Interchangeable trim for 8" recessed emergency downlights; Brushed nickel	843654137360	YER-50



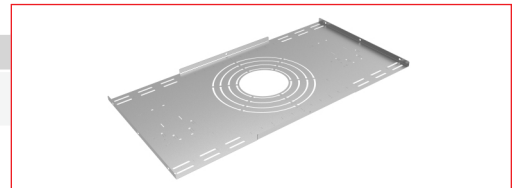
#### GOOF RING

Catalog Number	Description	UPC	Easy Code
KT-RDLED-6A-GOOF	6" Goof ring for 6" recessed emergency downlights; 10.51" outer diameter	843654137247	LFJ-16
KT-RDLED-8A-GOOF	8" Goof ring for 8" recessed commercial downlights; 12.51" outer diameter	843654137254	UDK-67
KT-RDLED-10A-GOOF	10" Goof ring for 10" recessed commercial downlights; 14.17" outer diameter	843654137261	XHZ-21



#### NEW-CONSTRUCTION PLATE

Catalog Number	Description	UPC	Easy Code
KT-RDLED-PLATE-1	New-construction plate for recessed emergency downlights	843654137285	BMS-81



# KT-RDLEDXXPS-XA-9CSF-VDIM-EM4

## LED RECESSED EMERGENCY DOWNLIGHT

### ORDERING INFORMATION

Catalog Number	Carton QTY	UPC	Easy Code
KT-RDLED24PS-6A-9CSF-VDIM-EM4	1	843654168906	CQY-76
KT-RDLED30PS-8A-9CSF-VDIM-EM4	1	843654168913	UYJ-95
KT-RDLED38PS-10A-9CSF-VDIM-EM4	1	843654168920	TUD-17

### CATALOG NUMBER BREAKDOWN

# KT-RDLEDXXPS-XA-9CSF-VDIM-EM4

1 2 3 4 5 6 7 8 9 10 11 12 13

- 1 Keystone Technologies
- 2 Fixture Type
- 3 LED Technology
- 4 Max Wattage
- 5 Power Select Technology
- 6 Size
- 7 Style/Design Designation
- 8 CRI
- 9 Color Select Technology
- 10 Color Select Designation
- 11 Dimming
- 12 Emergency Pack
- 13 Emergency Pack Wattage

#### 2 Fixture Type

RD	Recessed Downlight
----	--------------------

#### 4 Wattage

24	24W
30	30W
38	38W

#### 6 Size

6	6" Nominal
8	8" Nominal
10	10" Nominal

#### 10 Color Select Designation

E	3000K, 3500K, 4000K
---	---------------------