

2 LIGHT UP AND DOWN OUTDOOR WALL

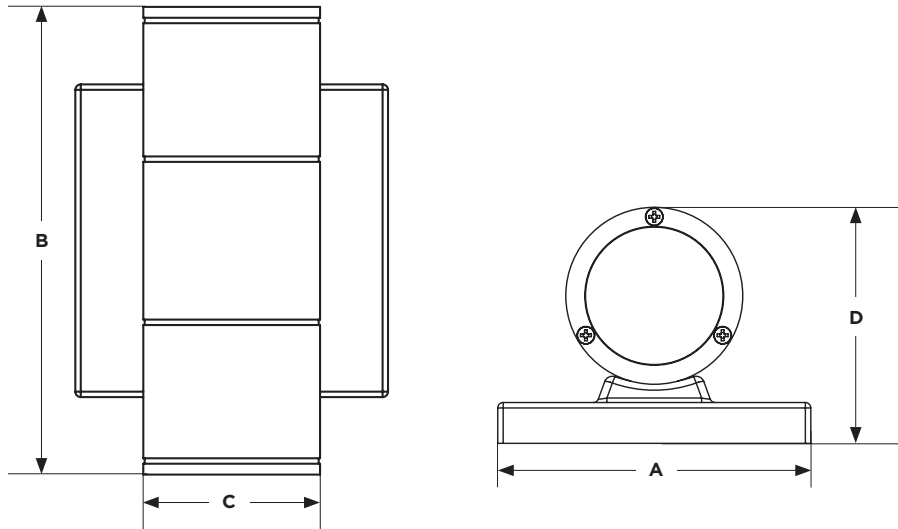


Features:

- Die-Cast Aluminum Body
- UV Stabilized Powder Coated Finish
- White, Black or Bronze finish
- 40° Beam Spread
- Operating Temp: -30°C to 50°C (-22°F to 122°F)
- IP65
- 5 Year Warranty



2 LIGHT UP AND DOWN OUTDOOR WALL



Item	Description	Watts	CCT	Lumens	(A) Width	(B) Height	(C) Diameter	(D) Ext.
62-1141R1	2 Light Small Up and Down - White	10W	3000K	900	5.00"	6.77"	2.56"	3.43"
62-1142R1	2 Light Small Up and Down - Black	10W	3000K	900	5.00"	6.77"	2.56"	3.43"
62-1145R1	2 Light Small Up and Down - Bronze	10W	3000K	900	5.00"	6.77"	2.56"	3.43"
62-1143R1	2 Light Large Up and Down - White	20W	3000K	1800	5.00"	11.69"	3.35"	4.21"
62-1144R1	2 Light Large Up and Down - Black	20W	3000K	1800	5.00"	11.69"	3.35"	4.21"
62-1146R1	2 Light Large Up and Down - Bronze	20W	3000K	1800	5.00"	11.69"	3.35"	4.21"

See warranty for details.

Product sheet NUI36

Specifications



Certifications

