

KT-EX-STNY1-WH3RL-SU

EXIT SIGN

DESCRIPTION

LED Exit Sign | Single or Double Facing | NYC Compliant |

White Finish | Red Lettering | Surface Mount |

Battery Backup | Built-in Test Switch | 120-277V Input

APPLICATION

UL 924 Compliant Exit Sign with Built-in Red Lettering, New York City Code Compliant. Provides 90 Minutes of Emergency Power.



PRODUCT FEATURES

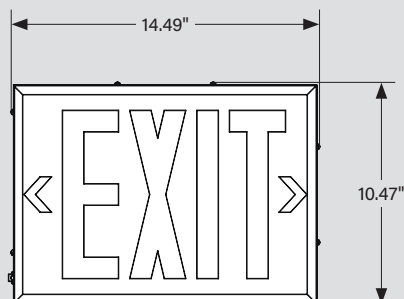
- Red LED and Diffuser Color
- Includes Single or Double Facing Configurations
- Surface Mount - Back, Side, or Top
- Integrated Backup Battery - NiCad 600mAh
- 90 Minutes of Emergency Power
- Integrated Test Switch & Charge Indicator
- New York City Code Compliant Design
- 20-Gauge Steel Housing and Faceplates
- Ambient Operating Temperature: 0°C/32°F to 40°C/104°F
- UL Certified for Damp Locations
- Universal J-Box Mounting Pattern

PERFORMANCE SPECIFICATIONS

Catalog Number	Input Voltage	Input Power	Letter Color	Housing Color	Mounting	Battery Type	Battery Capacity	Recharge Time	Remote Capable
KT-EX-STNY1-WH3RL-SU	120-277V	3.2W	Red	White	Surface: Top, Side, and Back Mount	Nickel-Cadmium	600mAh	24 Hours	No

* See Ordering Information and Catalog Number Breakdown for more details.

PHYSICAL SPECIFICATIONS



Weight

Fixture Weight	Carton Weight
6.5 lbs	40.8 lbs

KT-EX-STNY1-WH3RL-SU EXIT SIGN

FIELD-ADJUSTABLE FEATURES: CHEVRONS, FACEPLATES & MOUNTING ORIENTATION

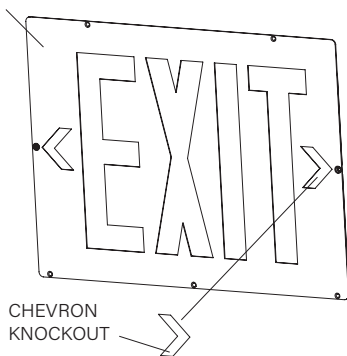
This fixture is equipped with removable chevrons, single (front only) or double (front and back) faceplates, and three mounting options (top, side, or back).

Note: Ensure power is off to the fixture and rechargeable battery is disconnected before making any adjustments.

Use of Chevrons

Remove knockout chevron(s) on faceplate, as needed. The diffuser would need to be removed to allow chevron removal. Re-secure diffuser after chevron removal.

FACEPLATE



Single or Double-Sided Faceplate

This fixture ships with two "EXIT" sign faceplates and one back/solid faceplate to allow for either single-sided Exit Sign or double-sided Exit Sign. Single-sided Exit Sign will use one "EXIT" faceplate and the back/solid faceplate, while double-sided Exit Sign will use two "EXIT" faceplates. All three faceplates are included.

KT-EX-STNY1-WH3RL-SU

EXIT SIGN

MOUNTING OPTIONS

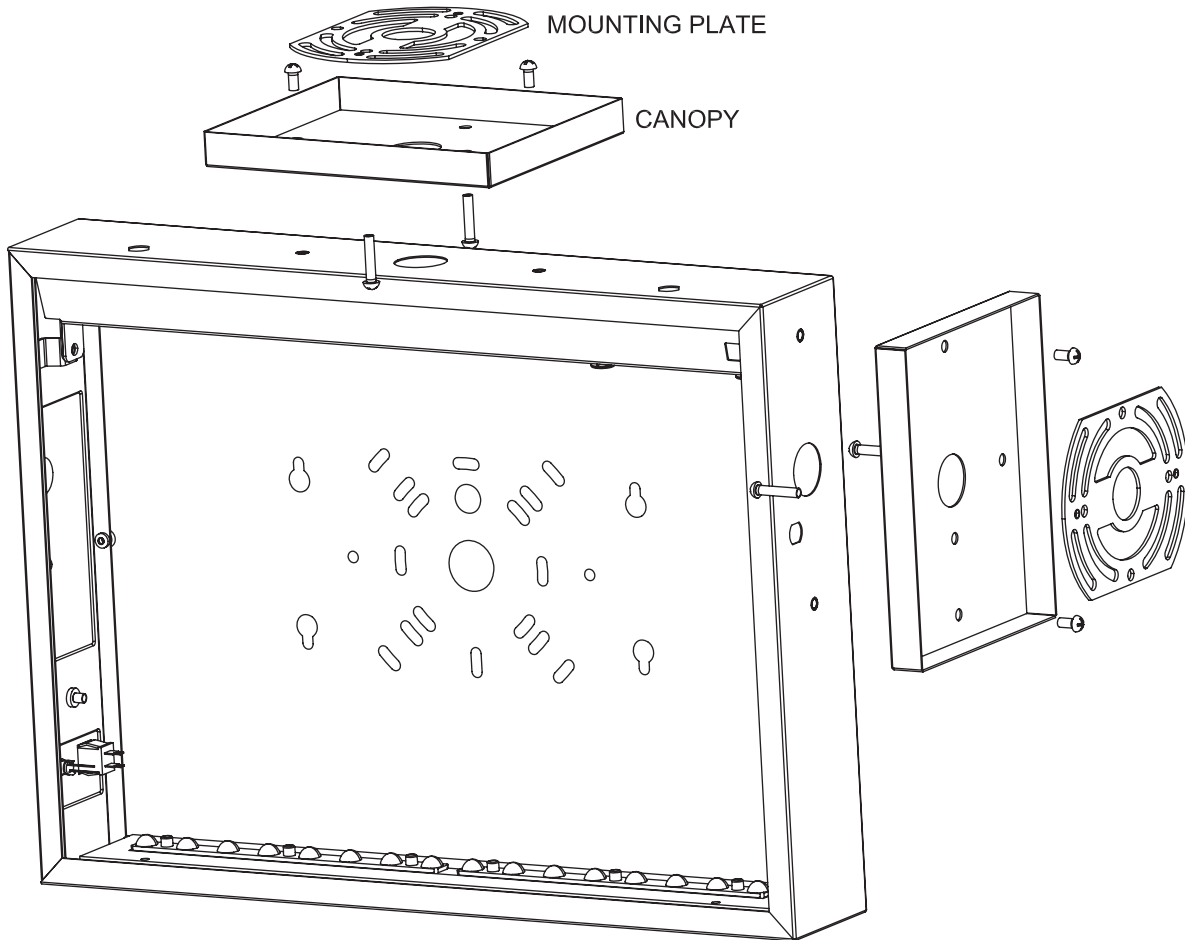
BACK MOUNT



TOP MOUNT



SIDE MOUNT





KT-EX-STNY1-WH3RL-SU

EXIT SIGN

ORDERING INFORMATION

Catalog Number	Finish	UPC	Easy Code
KT-EX-STNY1-WH3RL-SU	White	843654165035	FIQ-23

CATALOG NUMBER BREAKDOWN

KT-EX-STNY1-WH3RL-SU

1 2 3 4 5 6 7 8 9

- 1 Keystone Technologies
- 2 Exit Sign
- 3 Steel - New York City Compliant
- 4 Form Factor 1
- 5 Housing Color
- 6 Facings
- 7 Lettering Color
- 8 Mounting
- 9 Input Voltage

5 Housing Color

WH White

6 Facings

3 Single and Double

7 Lettering Color

RL Red Lettering

8 Mounting

S Surface Mount

9 Input Voltage

U 120-277V