

PROJECT NAME: _____ CAT. #: _____
 NOTES: _____ FIXTURE SCHEDULE: _____

Troffer Retrofit Kit Wattage and Color Selectable Series

Value Series



2x2"



2x4"

Product Description:

Maxlite's new Value Troffer Retrofit Kit - TRKE Series offers an economical solution to upgrade existing fixtures to LED technology. The kit can be easily installed in most existing troffers in less than 15 minutes. This product is DLC qualified at 125 LPW and is offered in 2'x2' and 2'x4' sizes with 3 wattages and 3 CCT options each, providing maximum flexibility to projects and stocking distributors. With its advanced "UniGlo" optics that provides uniform brightness across the lens, this product gives a smooth glare free illumination for high end hospitality, commercial and retail applications.

Features:

- 3 Wattage Selectable
- CCT Selectable: 3500K, 4000K, 5000K
- Quick installation of Troffer Retrofit Kit in existing luminaire without the need to break the ceiling plenum
- 0-10V Dimming - 10-100% Dimming Range
- 2'x2' and 2'x4' Size
- On EM mode, The fixture CCT will be set to 5000K
- On EM mode, the fixture output a minimum of 1170 lumens for 90 minutes, when fully charged
- Advanced "UniGlo" optics provides uniform brightness across the lens
- DLC qualified at 125 Lumens per watt

Ordering Structure

FAMILY	SIZE	DIMMABLE	WATTAGE SELECTABLE ¹	COLOR TEMPERATURE ¹	OPTIONS ^{2,3}	PACKAGING
TRKE= Troffer Retrofit Kit Value Series	22= 2'x2'	D= Dimmable	20W= 20W, 25W, 30W	CS= Color Selectable (3500K, 4000K, 5000K)	[BLANK]= None EM= Emergency Battery Back Up Back Up	[BLANK]= None 2P= 2 pack
	24= 2'x4'		25W= 25W, 30W, 35W			

¹ Default setting for WCS models is set to lowest wattage and 4000K

² Battery back up models are available only in Single Pack configuration.

³ Check the Specification Table for lumen output for EM suffix.

Stocked Items

ORDER CODE	MODEL NUMBER	DLC PRODUCT ID#	DLC CLASSIFICATION	DLC CATEGORY
111113	TRKE22D20WCS2P	S-81N3P6	Integrated Retrofit Kits for 2x2 Luminaires	Standard
111115	TRKE22D20WCSEM	S-81N3P6	Integrated Retrofit Kits for 2x2 Luminaires	Standard
111114	TRKE24D25WCS2P	S-9ZYG1X	Integrated Retrofit Kits for 2x4 Luminaires	Standard
111116	TRKE24D25WCSEM	S-9ZYG1X	Integrated Retrofit Kits for 2x4 Luminaires	Standard



5-year standard warranty with labor allowance (further details available at www.maxlite.com/warranties)



Troffer Retrofit Kit Wattage and Color Selectable Series

Value Series

Specifications

Specifications	TRKE22D20WCS2P			TRKE24D25WCS2P		
	2x2'			2x4'		
Size	2x2'			2x4'		
Nominal Wattage (W)*	20W	25W	30W	25W	30W	35W
Lumens Delivered (lm)*	2720, 2920, 2760	3320, 3570, 3370	3900, 4200, 3960	3400, 3650, 3450	3990, 4290, 4050	4500, 4900, 4620
Nominal Efficacy (lm/W)	136, 146, 138	133, 143, 135	130, 140, 132	136, 146, 138	133, 143, 135	130, 140, 132
Lumens Delivered at BBU mode	1170lm with EM suffix - for 90 minutes, when fully charged					
Color Temperature (K)*	3500K, 4000K*, 5000K					
CRI*	≥ 80					
Calculated L70 Lumen Maintenance	50,000 Hrs					
Dimming Technology	0-10V					
Dimming Range	10-100% (Dim to OFF Voltage: 0.1V ± 0.5V)					
Input Voltage	120-277V AC					
Power Factor	≥ 0.87					
Housing	Steel Sheet					
Diffuser	Polycarbonate lens					
Operating Temperature	-4°F to 122°F (-20°C to 50°C), except BBU models. BBU models: 32°F to 122°F (0°C to 50°C)					
Humidity	10% to 80% RH Non-Condensing					
Certification	ULus listed, FCC, RoHs Compliant					
Qualifications	DLC Standard					
Environment	Suitable for damp locations					
Warranty	5 Years warranty, Check maxlite.com/warranties for details					

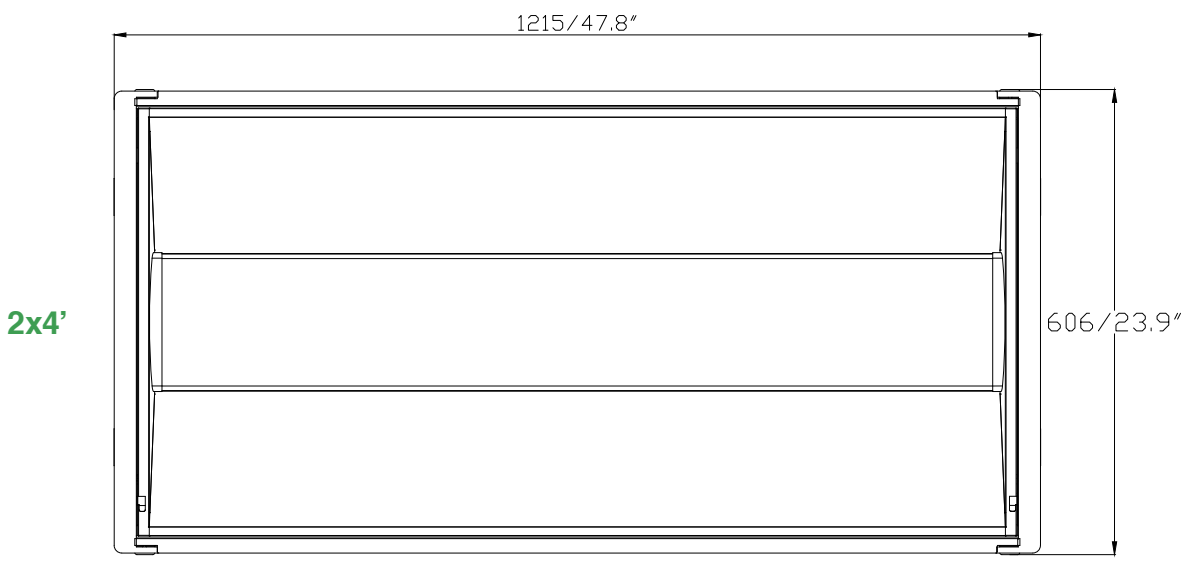
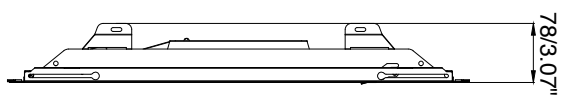
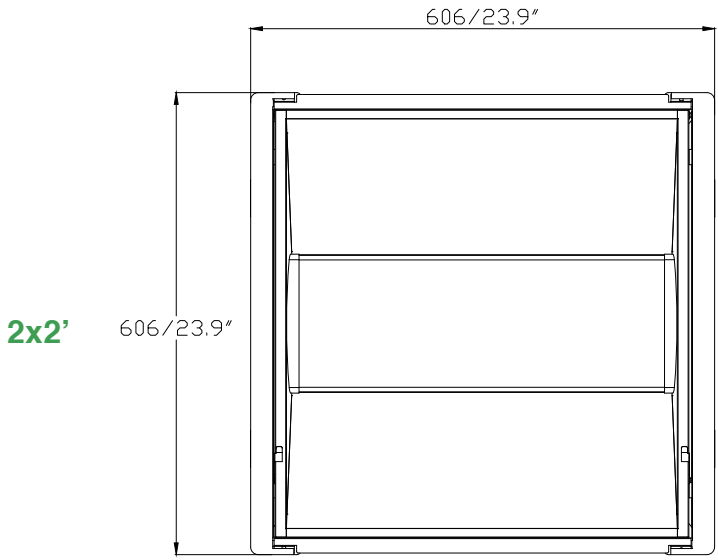
* Default setting for WCS models is set to lowest wattage and 4000K.

** Lumens delivered at BBU mode varies based on wattage and CCT setting

Troffer Retrofit Kit Wattage and Color Selectable Series *Value Series*

Product Dimensions

PRODUCT	A (L)	B (W)	C (H)
TRKE22D20WCS2P	23.9 inch	23.9 inch	3.1 inch
TRKE24D25WCS2P	47.8 inch	23.9 inch	3.1 inch



FCC Statement

This device complies with part 15 of the FCC Rules, Operation is subject to the following two conditions: (1) This device may not cause harmful interference, and (2) this device must accept any interference received, including interference that may cause undesired operation.