

FLOOD FIXTURE FL SERIES

CONTRACTOR CHOICE

The Contractor Choice LED flood fixture is an economical option that includes premium features. These fixtures come standard with a built-in photocell along with both wattage and color selectable switches. Choose between three different mounting options; Slipfitter, 1/2" knuckle, and yoke/trunnion. With wattage ranges from as low as 11W up to 123W, these units can be used for many different applications and will provide a uniform appearance across your property.



Features

- Includes built-in wattage selectable switch
 - FL-27W (11W - 16W - 20W - 27W)
 - FL-65W (28W - 41W - 54W - 65W)
 - FL-123W (53W - 71W - 99W - 123W)
- Includes built-in color selectable switch
 - CCT (3000K - 4000K - 5000K)
- Built-in photocell
 - Includes cap to deactivate photocell
- Rugged die-cast aluminum housing with a low-profile
- Heat and impact resistant
- Multiple mounting options available
- Dark bronze finish
- Distribution type 7Hx7V
- Standard 0-10V dimming driver
- Operating temperature of -40° to 104° F
- IP65 wet location rated
- Universal 120-277V input voltage
- 50,000-hour rated life
 - based on IES LM-80 and TM-21 calculations
- 5-year manufacturer limited warranty
- DLC Premium
 - Architectural Flood and Spot Luminaires



Order Code

SKU: FL-65W-DDK-PC-YK

Fixture Type	Adjustable Wattage	CCT (Adjustable Color Temp)	Photocell	Mounting
FL (Flood Light)	27W (11W/16W/20W/27W) 65W (28W/41W/54W/65W) 123W (23W/71W/99W/123W)	DDK (3000K/4000K/5000K)	PC (Photocell)	KN (Knuckle) SF (Slipfitter) YK (Yoke) TR (Trunnion)

Adjustable Lumen Output

FL-27W		FL-65W		FL-123W	
WATTAGE	LUMENS (5000K)	WATTAGE	LUMENS (5000K)	WATTAGE	LUMENS (5000K)
27W	3672	65W	9438	123W	18092
20W	2856	54W	7824	99W	15119
16W	2234	41W	5937	71W	11206
11W	1690	28W	3963	53W	8581

STRUCTURE DESIGN

Rugged Housing

One-piece die-cast aluminum housing with an optimal thermal design to extend the life of the fixture and enhance the efficacy

Photocell

Includes cap to cover photocell when deactivating photocell



Watt & Color Selectable

Includes selectable switch to set lumen output and selectable color temperature (3000K/4000K/5000K).

Beam Distribution

Standard beam distribution
7Hx7V wide flood

Mounting

Three different mounting options available; 1/2" Knuckle, Slipfitter, & Yoke/Trunnion

MOUNTING TYPES

1/2" Knuckle Mount
(Available in all wattages)



Trunion Mount
(Available in 27W and 65W options)



Slipfitter Mount
(Available in 123W option only)

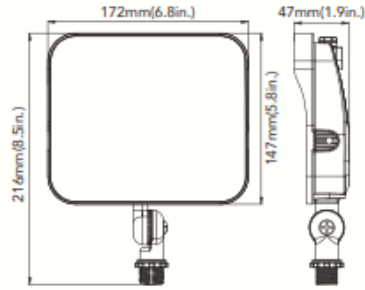


Yoke Mount
(Available in 123W option only)

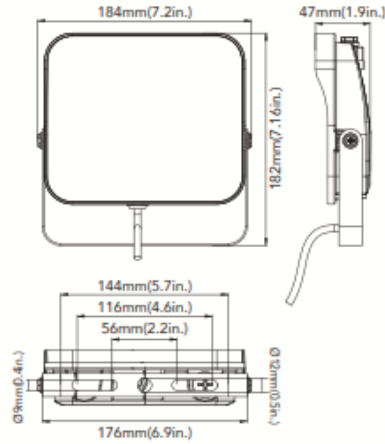


FIXTURE DIMENSIONS

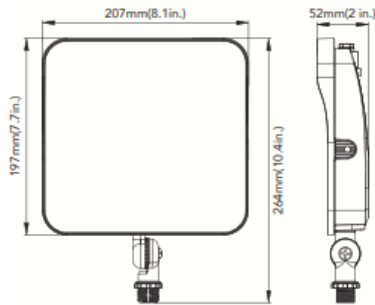
1/2" Knuckle Mount 27W



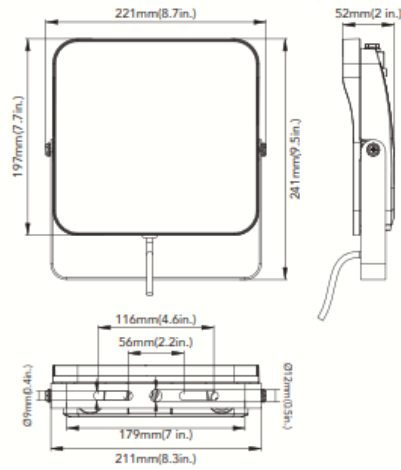
Trunnion Mount 27W



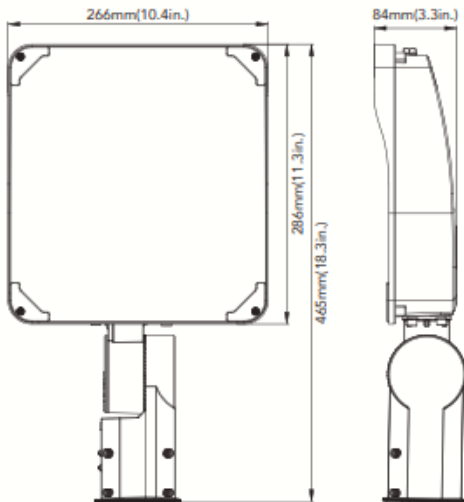
1/2" Knuckle Mount 65W



Trunnion Mount 65W



Slipfitter Mount 123W



Yoke Mount 123W

