



# XFIT

## KT-SLFLED500-S1-XX-YM-750-VDIM

### SPORTS LIGHT FLOOD

#### DESCRIPTION

500W Sports Light Flood | 5000K | Multiple Beam Angle  
Options | 120–277V Input | Gray Housing

#### APPLICATION

High power, wide flood, pole mount illumination needs  
(municipal parks and baseball fields, high school football stadiums, driving ranges, rodeos, ski resorts, etc.)



RoHS  
Compliant

10 YEAR  
LIMITED WARRANTY



#### PRODUCT FEATURES

- Heavy duty die cast aluminum housing in gray finish offers a durable and modern aesthetic while carrying inspiration from existing legacy fixture solutions. Optimized for HID replacement needs
- Precision crafted optics that ensure uniform, proper lighting. Available in multiple beam angle options (30° standard, 20°, 40°, 60°, and 80° optional)
- Glare shield included in packaging. Easy install for use as required by site demands
- Comes with shorting cap and integrated NEMA/ANSI C136.41 7 pin twist lock receptacle
- Designed for install as a single assembly or with remote driver box. Allows for on site flexibility and lower EPA ratings
- Pre installed yoke mount bracket. Slipfitter and knuckle mounts optional (sold separately)
- Fixture mountable laser accessory available for fixture aiming, KT-SLFLED-LASER-G (sold separately)
- Ambient operating temperature: –40°C/–40°F to 50°C/122°F
- Powered by Keystone 0–10V dimming LED driver with built-in 20kV line-to-ground surge protection
- UL Certified for wet locations; IP65 rated
- Power factor: > 0.95
- THD: < 20%
- LED chip lifetime: L70 > 100,000 hrs @ 25°C/77°F ambient fixture temperature
- Meets FCC Part 15, Part B, Class A standards for conducted and radiated emissions

#### DIMENSIONS AND WEIGHTS

<b>Carton Dimensions</b>	20.08"L × 21.65"W × 20.08"H
<b>Carton Weight</b>	41.01 lbs
<b>Total Fixture Weight</b>	38.58 lbs
<b>Fixture Head Weight</b>	26.54 lbs
<b>Fixture Driver Box Weight</b>	12.04 lbs

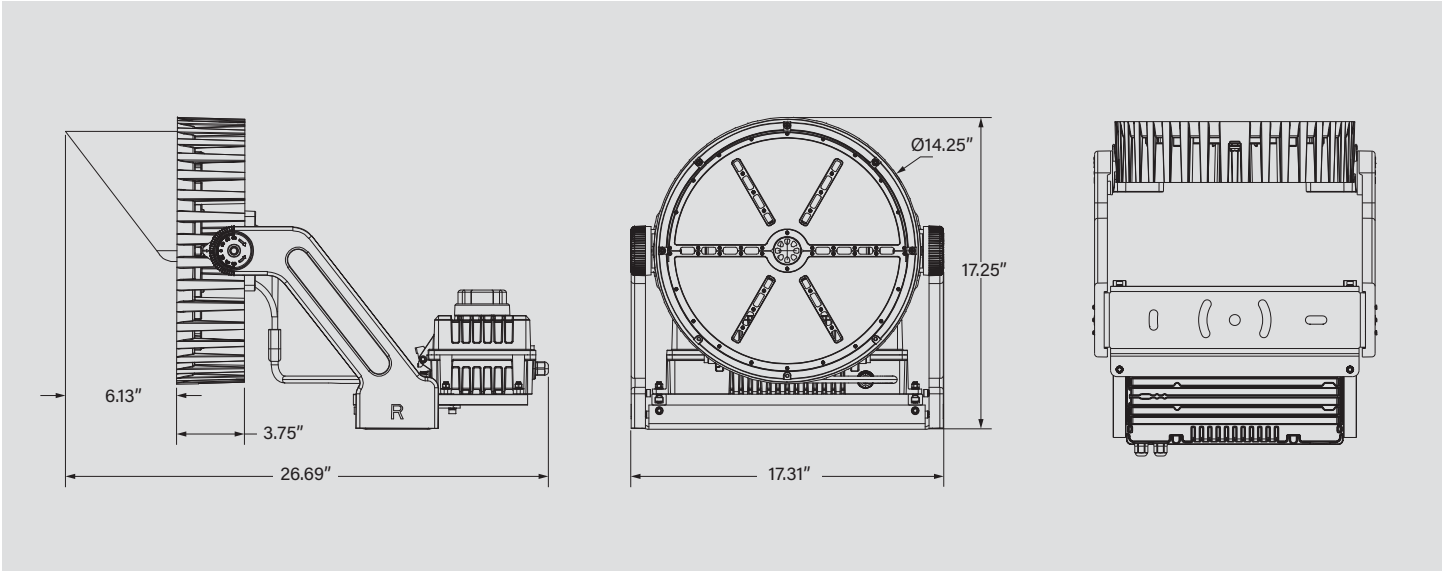
#### PRODUCT SPECIFICATIONS

Catalog Number	Wattage	CCT	Lumens	Efficacy	Input Voltage	Dimming	Beam Angle	CRI	DLC	Legacy Equivalent
KT-SLFLED500-S1-20-YM-750-VDIM	500W	5000K	70,000	140 lm/W	120–277V	0–10V	20°	> 70	Y	1,500W MH
KT-SLFLED500-S1-30-YM-750-VDIM							30°			
KT-SLFLED500-S1-40-YM-750-VDIM							40°			
KT-SLFLED500-S1-60-YM-750-VDIM							60°			
KT-SLFLED500-S1-80-YM-750-VDIM							80°			

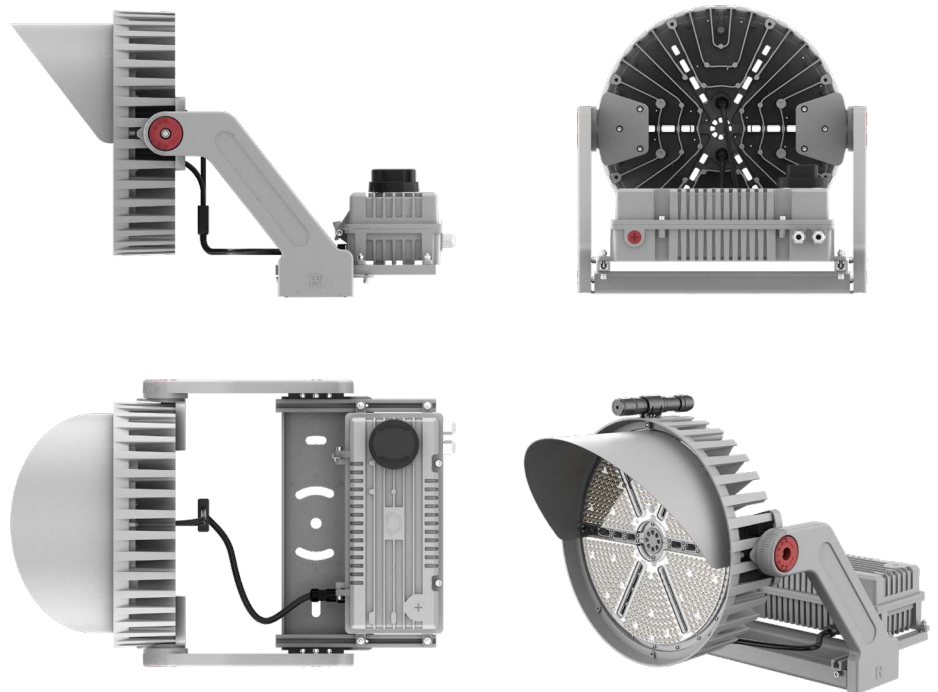
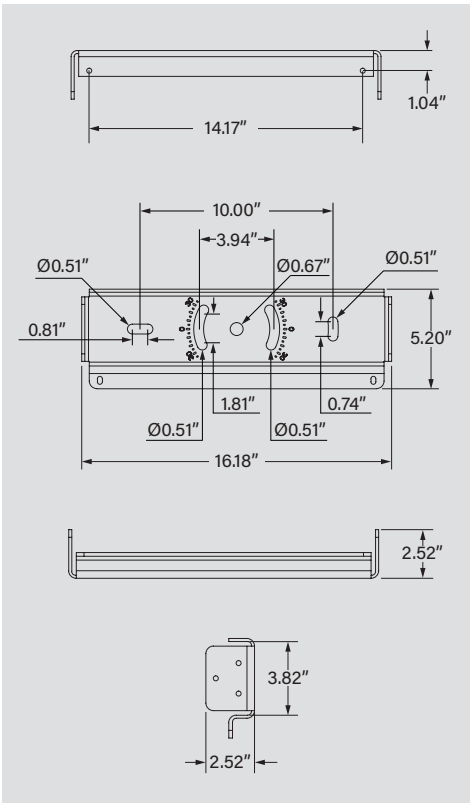
Note: Fixtures with 20°, 40°, 60°, and 80° beam angles are available and assembled to order. Lead times may apply.

**KT-SLFLED500-S1-XX-YM-750-VDIM**  
 SPORTS LIGHT FLOOD

**PHYSICAL SPECIFICATIONS**  
 WITH DRIVER BOX ATTACHED



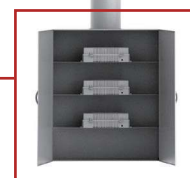
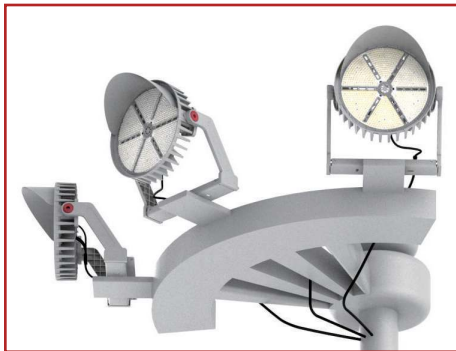
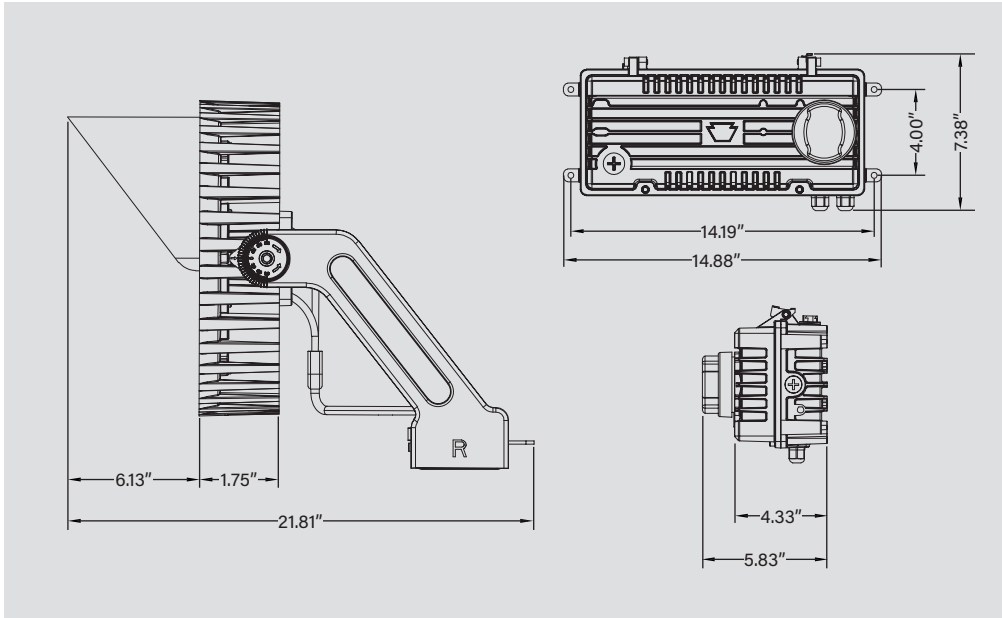
**CROSSARM**



# KT-SLFLED500-S1-XX-YM-750-VDIM

## SPORTS LIGHT FLOOD

### PHYSICAL SPECIFICATIONS WITH DRIVER BOX SEPARATED



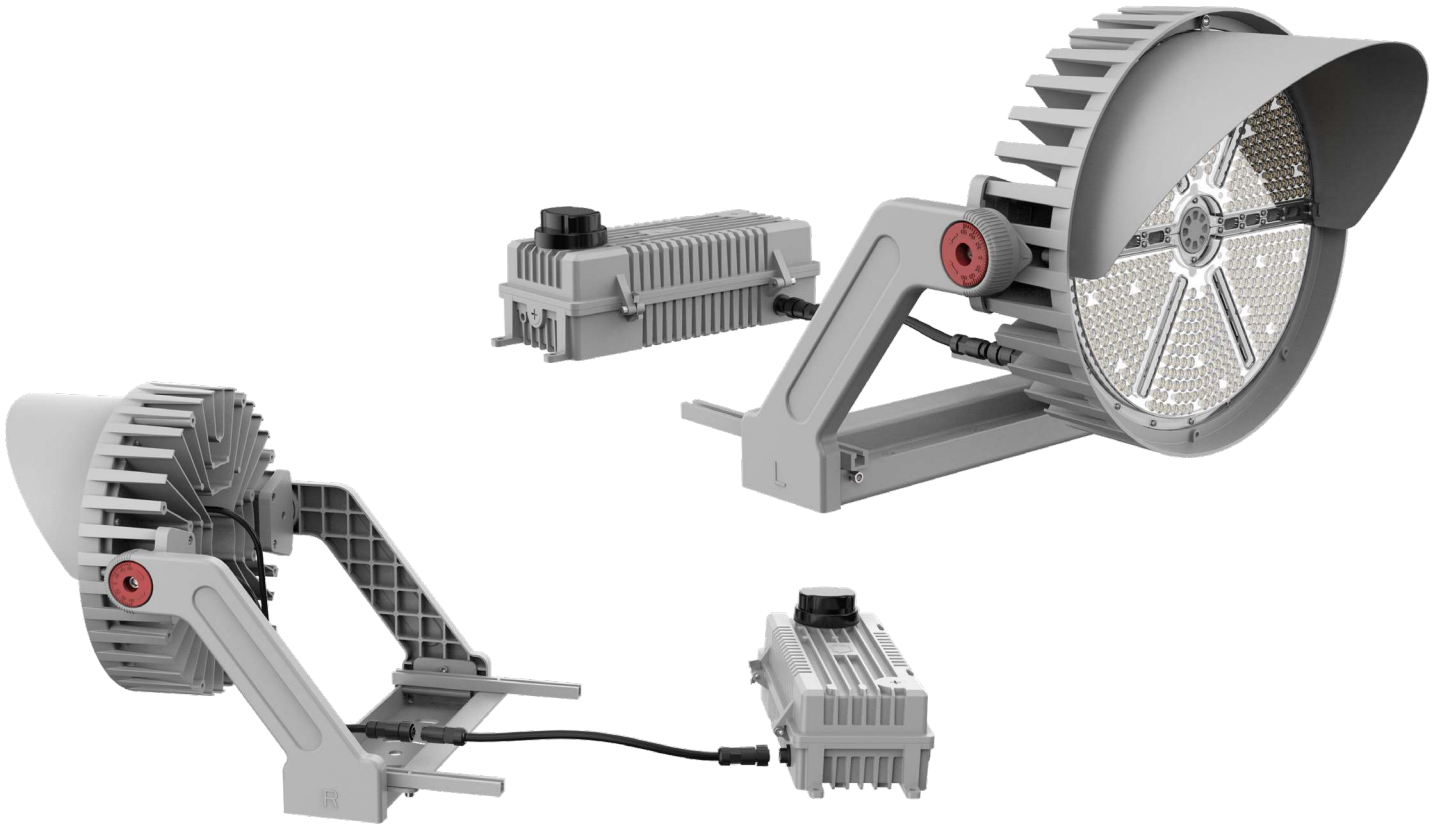
Note: Maximum cord length is 50 m / 164 ft

Note: Images are for reference only. Contact Keystone with questions regarding remote mounting and enclosures

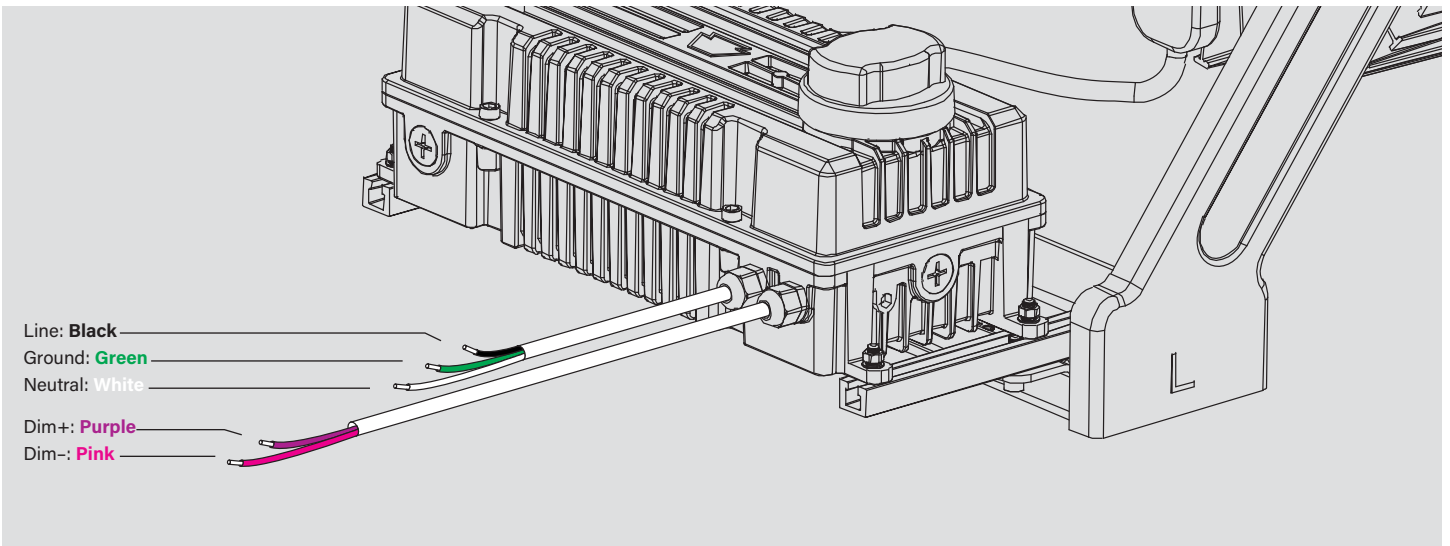
# KT-SLFLED500-S1-XX-YM-750-VDIM

## SPORTS LIGHT FLOOD

WITH DRIVER BOX SEPARATED



### WIRING DIAGRAM



Note: 16 AWG cord. Input and dimming wires extend 3 ft from driver box.

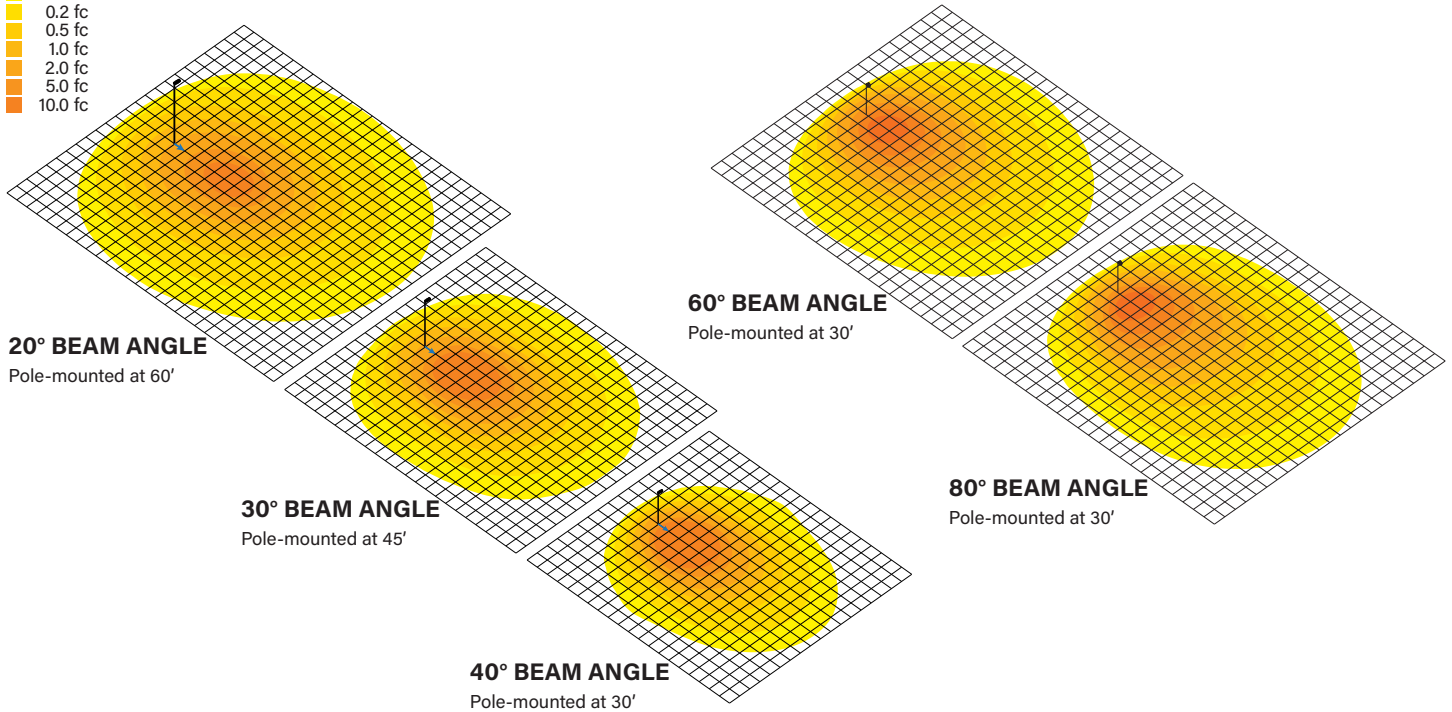
# KT-SLFLED500-S1-XX-YM-750-VDIM

## SPORTS LIGHT FLOOD

### LIGHT DISTRIBUTION PATTERN

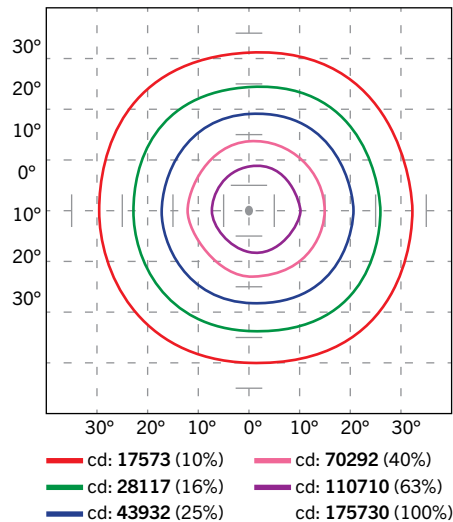
Photometric layouts for general reference only. All fixtures are pointed at 45° below horizontal. Each square is 10 ft x 10 ft

- 0.1 fc
- 0.2 fc
- 0.5 fc
- 1.0 fc
- 2.0 fc
- 5.0 fc
- 10.0 fc

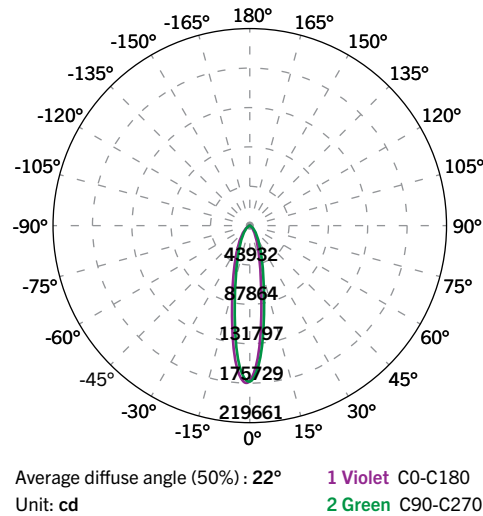


### PHOTOMETRIC SPECIFICATIONS (20° BEAM ANGLE)

#### ISOCANDELA PLOT



#### LUMINOUS INTENSITY DISTRIBUTION



#### FLUX DISTRIBUTION

Zone	Lumens	% Luminaire
<b>Forward Light</b>	<b>32,512</b>	<b>48.5%</b>
0°-30°	20,640	30.8%
30°-60°	9,439	14.1%
60°-80°	2,284	3.4%
80°-90°	149	0.2%
<b>Back Light</b>	<b>33,581</b>	<b>50.1%</b>
0°-30°	21,327	31.8%
30°-60°	9,728	14.5%
60°-80°	2,365	3.5%
80°-90°	161	0.2%
<b>Up Light</b>	<b>964</b>	<b>1.4%</b>
90°-100°	76	0.1%
100°-180°	888	1.3%

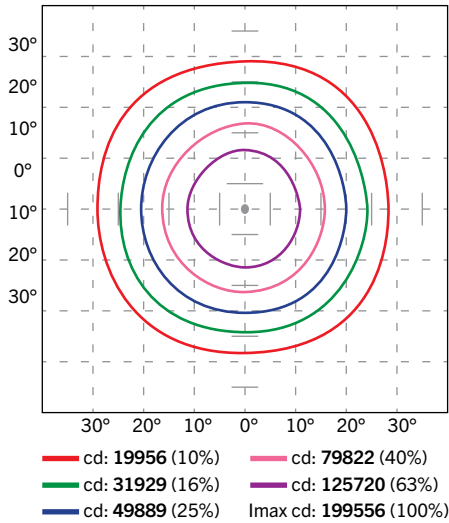
(Photometric Specifications continued on next page)

# KT-SLFLED500-S1-XX-YM-750-VDIM

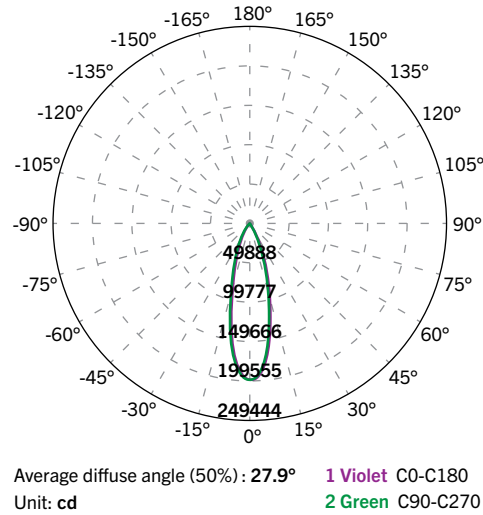
## SPORTS LIGHT FLOOD

### PHOTOMETRIC SPECIFICATIONS (30° BEAM ANGLE)

ISOCANDELA PLOT



LUMINOUS INTENSITY DISTRIBUTION

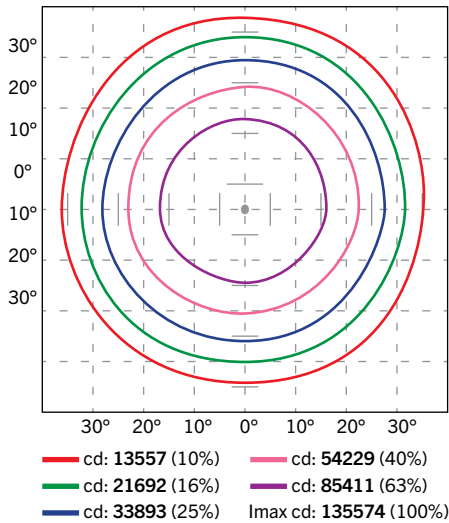


FLUX DISTRIBUTION

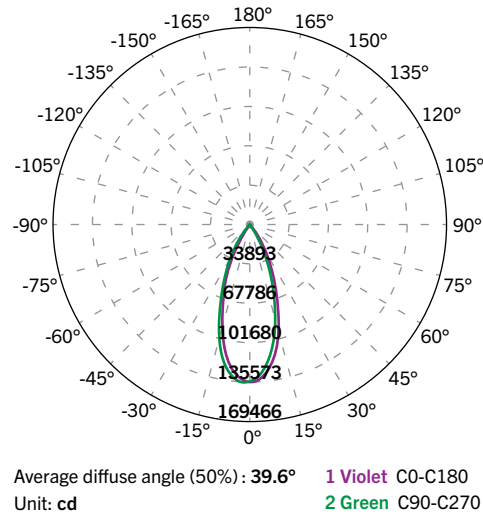
Zone	Lumens	% Luminaire
<b>Forward Light</b>	<b>35,378</b>	<b>49.8%</b>
0°-30°	27,365	38.5%
30°-60°	6,662	9.4%
60°-80°	1,281	1.8%
80°-90°	70	0.1%
<b>Back Light</b>	<b>35,651</b>	<b>50.2%</b>
0°-30°	27,576	38.8%
30°-60°	6,767	9.5%
60°-80°	1,247	1.8%
80°-90°	61	0.1%
<b>Up Light</b>	<b>0</b>	<b>0.0%</b>
90°-100°	0	0.0%
100°-180°	0	0.0%

### PHOTOMETRIC SPECIFICATIONS (40° BEAM ANGLE)

ISOCANDELA PLOT



LUMINOUS INTENSITY DISTRIBUTION



FLUX DISTRIBUTION

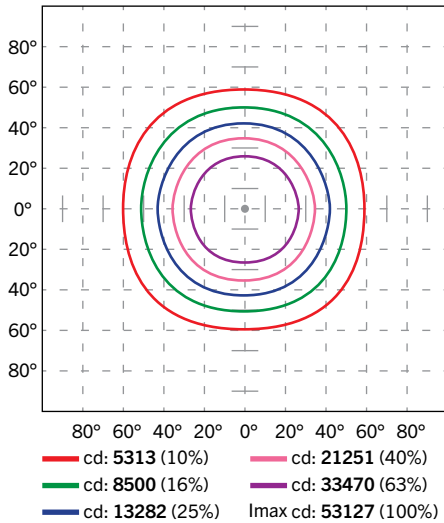
Zone	Lumens	% Luminaire
<b>Forward Light</b>	<b>34,734</b>	<b>46.0%</b>
0°-30°	26,728	35.4%
30°-60°	7,118	9.4%
60°-80°	825	1.1%
80°-90°	62	0.1%
<b>Back Light</b>	<b>39,748</b>	<b>52.7%</b>
0°-30°	30,347	40.2%
30°-60°	8,516	11.3%
60°-80°	821	1.1%
80°-90°	64	0.1%
<b>Up Light</b>	<b>986</b>	<b>1.3%</b>
90°-100°	61	0.1%
100°-180°	925	1.2%

# KT-SLFLED500-S1-XX-YM-750-VDIM

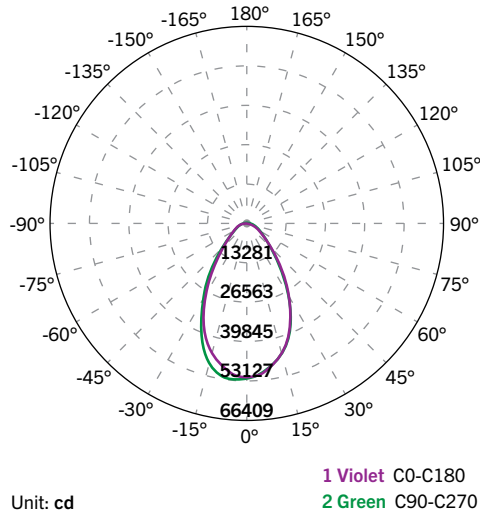
## SPORTS LIGHT FLOOD

### PHOTOMETRIC SPECIFICATIONS (60° BEAM ANGLE)

ISOCANDELA PLOT



LUMINOUS INTENSITY DISTRIBUTION

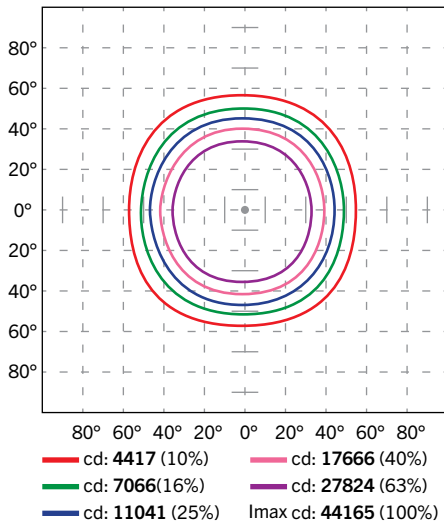


FLUX DISTRIBUTION

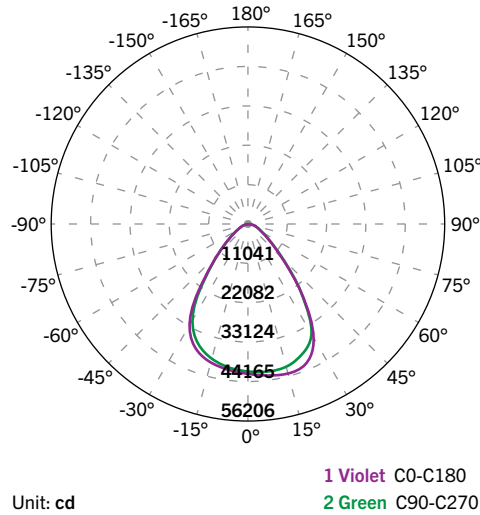
Zone	Lumens	% Luminaire
<b>Forward Light</b>	<b>34,234</b>	<b>50.3%</b>
0°-30°	17,107	25.2%
30°-60°	14,100	20.7%
60°-80°	2,833	4.2%
80°-90°	193	0.3%
<b>Back Light</b>	<b>33,765</b>	<b>49.7%</b>
0°-30°	16,995	25.0%
30°-60°	13,827	20.3%
60°-80°	2,770	4.1%
80°-90°	172	0.3%
<b>Up Light</b>	<b>0</b>	<b>0.0%</b>
90°-100°	0	0.0%
100°-180°	0	0.0%

### PHOTOMETRIC SPECIFICATIONS (80° BEAM ANGLE)

ISOCANDELA PLOT



LUMINOUS INTENSITY DISTRIBUTION



FLUX DISTRIBUTION

Zone	Lumens	% Luminaire
<b>Forward Light</b>	<b>35,640</b>	<b>51.6%</b>
0°-30°	17,423	25.2%
30°-60°	16,098	23.3%
60°-80°	1,973	2.9%
80°-90°	146	0.2%
<b>Back Light</b>	<b>33,477</b>	<b>48.4%</b>
0°-30°	16,518	23.9%
30°-60°	14,921	21.6%
60°-80°	1,895	2.7%
80°-90°	143	0.2%
<b>Up Light</b>	<b>0</b>	<b>0.0%</b>
90°-100°	0	0.0%
100°-180°	0	0.0%

# KT-SLFLED500-S1-XX-YM-750-VDIM

## SPORTS LIGHT FLOOD

### EPA SPECIFICATIONS

#### Small-Size Fixture Housing

Conditions: Horizontal winds only for calculations. Worst case total projected area used for calculations. All drag coefficients are set as worst case 1.2. For details on exact EPA calculations and assumptions, please contact productsupport@keystonetech.com

EPA Calcs (1.2*ft <sup>2</sup>   View)			Single Fixture	2 Fixtures Side-by-Side	3 Fixtures Side-by-Side
Mounting Application	Fixture Position	Housing Size			
<b>Plate Mount</b> 	45°	S (500W)	1.77 sq. ft.	3.53 sq. ft.	5.30 sq. ft.

### ACCESSORIES

#### SENSORS

Field-Installable / Field-Use ONLY (purchased separately)

✓	CATALOG NUMBER	DESCRIPTION	COLOR	UPC	EASY CODE
	KT-TLP-UV-3PN	NEMA Type 3-Pin Photocell; 120-277V; 1800VA max	Blue	843654131825	NQT-46
	TL7-HVG <sup>1</sup>	Synapse NEMA Type 7-Pin 0-10V Controller with Built-in Photocell, Power Monitoring, and GPS; 120-480V	Black	TBD	TBD

<sup>1</sup>Synapse controllers require gateway and mandatory commissioning service charge. Please contact Keystone for further details



120-277V Photocell  
KT-TLP-UV-3PN



Synapse Controller  
TL7-HVG

#### CORD SETS

Field-Installable / Field-Use ONLY (purchased separately)

✓	CATALOG NUMBER	DESCRIPTION	UPC	EASY CODE
	KT-SLFLED-EC-35	35' extension cord to remote mount LED driver for SLFLED fixtures	843654154992	OKK-79
	KT-SLFLED-EC-65	65' extension cord to remote mount LED driver for SLFLED fixtures	843654155005	QCB-67



35' Extension Cord  
KT-SLFLED-EC-35

#### MOUNTS AND BRACKETS

Field-Installable / Field-Use ONLY (purchased separately)

✓	CATALOG NUMBER	DESCRIPTION	UPC	EASY CODE
	KT-SLFLED-KM-1-KIT	Knuckle mount kit for Series 1 Sports Light Flood, Small Housing. Gray	843654155821	BHT-47
	KT-SLFLED-SF-S1-KIT	Slipfitter mount kit for Series 1 Sports Light Flood, Small Housing. Fits 2 3/8" tenon. Gray	843654154930	JWV-40



Knuckle Mount Kit  
KT-SLFLED-KM-1-KIT



Slipfitter Mount Kit  
KT-SLFLED-SF-S1-KIT

Note: Each above item has a corresponding specification sheet with technical drawings. Please visit [keystonetech.com](http://keystonetech.com) for details

(Accessories continued on next page)

# KT-SLFLED500-S1-XX-YM-750-VDIM

## SPORTS LIGHT FLOOD

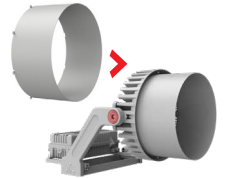
### GLARE SHIELD

Field-Installable / Field-Use ONLY (purchased separately)

✓	CATALOG NUMBER	DESCRIPTION	UPC	EASY CODE
	KT-SLFLED-GS-S1-KIT	Glare Shield Kit   Gray   Used on 500W Series 1 Sports Light Flood	843654170527	CCN-71
	KT-SLFLED-GS-360-S1-KIT	360° Glare Shield Kit   Gray   Used on 500W Series 1 Sports Light Flood	843654170084	QXI-03



Glare Shield Kit  
KT-SLFLED-GS-S1-KIT



360 Glare Shield Kit  
KT-SLFLED-GS-360-S1-KIT

Field-Installable / Field-Use ONLY (purchased separately)

✓	CATALOG NUMBER	DESCRIPTION	UPC	EASY CODE
	KT-SLFLED-LASER-G	Green laser pointer for Sports Light Flood aiming. Includes hardware to mount to SLFLED fixtures	843654155012	ESD-34



Green Laser Pointer  
KT-SLFLED-LASER-G

Note: Each above item has a corresponding specification sheet with technical drawings. Please visit [keystonetech.com](http://keystonetech.com) for details

### ORDERING INFORMATION

CATALOG NUMBER	UPC	EASY CODE
KT-SLFLED500-S1-20-YM-750-VDIM	843654155265	UCQ-93
KT-SLFLED500-S1-30-YM-750-VDIM	843654154893	BJC-36
KT-SLFLED500-S1-40-YM-750-VDIM	843654155272	KUC-98
KT-SLFLED500-S1-60-YM-750-VDIM	843654159836	NFJ-55
KT-SLFLED500-S1-80-YM-750-VDIM	843654159843	AEL-86

### CATALOG NUMBER BREAKDOWN

# KT-SLFLED500-S1-XX-YM-750-VDIM

1 2 3 4 5 6 7 8 9 10 11

<b>1</b> Keystone Technologies	<b>2</b> Fixture Type	<b>5</b> Size	<b>7</b> Beam Angle
<b>2</b> Fixture Type	SLF Sports Light Flood	S Small	20 20°
<b>3</b> LED Lamp	<b>8</b> Mounting Options	<b>9</b> CRI	30 30°
<b>4</b> Wattage	YM Yoke Mount	7 > 70	40 40°
<b>5</b> Size	<b>10</b> CCT	<b>11</b> Dimming	60 60°
<b>6</b> Style	50 5000K	VDIM 0-10V	80 80°
<b>7</b> Beam Angle			
<b>8</b> Mounting Options			
<b>9</b> CRI			
<b>10</b> CCT			
<b>11</b> Dimming			