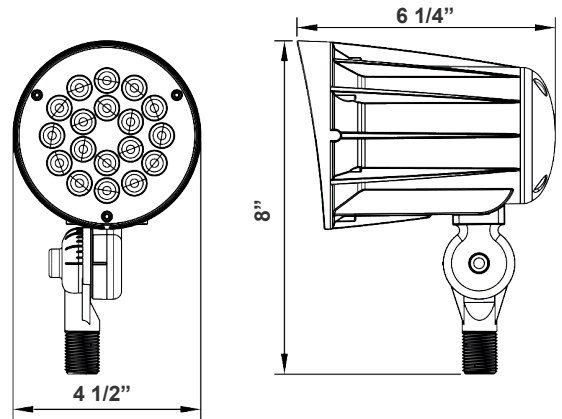


FLD2 SERIES OUTDOOR LIGHTING

FLD2-42W-30K-D-KN
FLD2-42W-50K-D-KN



Selection:



8"(H) x 4 1/2"(W) x 6 1/4"(D)

Ideal for general site lighting, alleys, loading docks, doorway, pathway, and parking areas. Great for use with motion sensors and another instant on/off controls.

Features

- Die-cast Aluminum Housing with Powder Coat Finish (Dark Bronze)
- 1/2" Threaded Knuckle Stem
- 7-Year Warranty
- Lens Type: Plaid Tempered Glass + Aluminum Reflectors

Technical Specifications

Electrical:

- Voltage: 120-277V
- Power Factor: >0.9
- Wattage: 42W
- Efficacy: 123 LPW

Mechanical:

- Die-cast Aluminum Housing with Powder Coat Finish (Dark Bronze)
- Cord type: 18" SJTW 18/3 AWG cable
- 1/2" Threaded Knuckle Stem
- Operating Temperature: -40°F~104°F
- Suitable for Wet Location
- IP Rating: IP65

Lighting:

- Dimming: 0-10V Dimming
- Lens Type: Plaid Tempered Glass + Aluminum Reflectors
- LED: Philips LUMILEDs
- Total Lumens: 5200 LM
- Color Temperatures: 3000K/ 5000K
- Color Rendering Index: CRI ≥ 80
- Beam Angle: 60°
- Lifespan: 70,000 Hrs.

Applications:

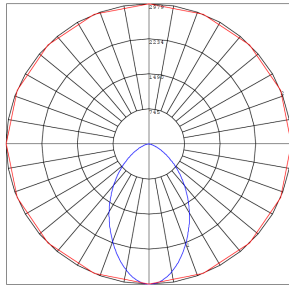
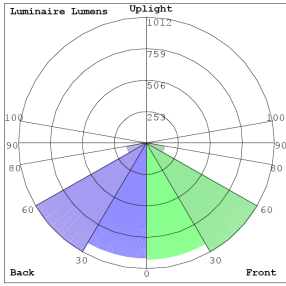
- Ideal for general site lighting, alleys, loading docks, doorway, pathway, and parking areas. Great for use with motion sensors and another instant on/off controls.

Other Models:

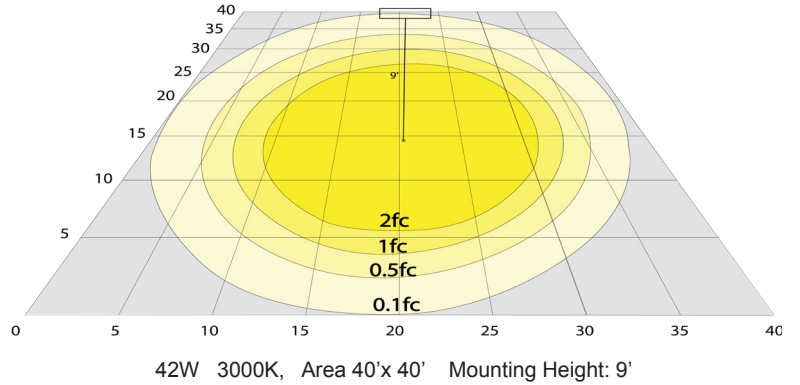
- 15W | 1900LM | FLD2-15W-30K-D-KN
- 15W | 1900LM | FLD2-15W-50K-D-KN
- 28W | 3500LM | FLD2-28W-30K-D-KN
- 28W | 3500LM | FLD2-28W-50K-D-KN



Photometrics: FLD2-42W-D-KN



BUG Rating: B2-U1-G0



Other Views:



Side View



Front View



Back View

Performance Table: FLD2-28W-D-KN

MODEL NO.	Wattage	Voltage	Lumens	Color Temp.	BUG Rating	LPW
FLD2-42W-30K-D-KN	42W	120-277V	5200LM	3000K	B2-U1-G0	123
FLD2-42W-50K-D-KN	42W	120-277V	5200LM	5000K	B2-U1-G0	123

Sample Ordering

Model	Watt	Color Temp.	Dimming	Mounting
FLD2	42W	30K = 3000K 50K = 5000K	D	KN

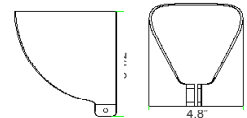
ACCESSORY:

Blank = No Option For Accessories
FL-SH3 = Rotatable Shroud with Set Screw Fits FLD2-42W, FLV12-32W

ACCESSORIES:



FL-SH3
Fits FLD2-42W, FLV12-32W



FL-SH3
4.8" x 5 1/2"

Example:

1. FLD2-42W-30K-D-KN (FOR FLD2 42W 30K FIXTURE 120-277V)
2. FLD2-42W-30K-D-KN (FOR FLD2 42W 30K FIXTURE 120-277V)
FL-SH3 (Fits FLD2-42W, FLV12-32W)

