



**PARALLELWIRE**  
ELECTRONIC SIGN BALLASTS  
**KTSE-E-1040-14-UV**



**DESCRIPTION**

1-4 Lamps | T8HO or T12HO | 8'-40' Combined Lamp Length | Parallel Wiring

STARTING METHOD	INPUT VOLTAGE	LAMP CONNECTION	INPUT FREQUENCY
Instant Start	120-277VAC ±10%	Parallel	60/50 Hz

**PRODUCT FEATURES**

- Sound Rated: A
- Minimum Starting Temperature: -20°F, -30°C
- Maximum Case Temperature: 194°F, 90°C
- Meets FCC Part 18 (Class A) Non-Consumer Limits
- UL, cUL 935 Listed, Class P, Type 2 Outdoor, Type HL

**ELECTRICAL SPECIFICATIONS FOR COMMON CONFIGURATIONS**

Lamp Type	No. of Lamps	Input Volts	Input Watts	Input Current	Power Factor	Crest Factor
F120T12/HO	4, 3, 2, 1	120V	352W	3.00A	>0.98	<1.70
		277V	349W	1.30A	>0.95	<1.70
F96T8/HO*	4, 3, 2, 1	120V	330W	2.80A	>0.98	<1.70
		277V	325W	1.25A	>0.95	<1.70

**LAMP FOOTAGE**

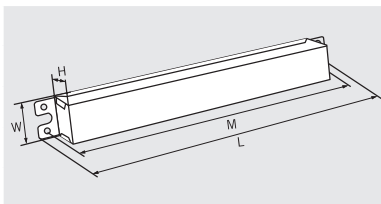
Lamp Type	Minimum	Maximum
T12HO	10'	40'
T8HO	8'	32'

\*Primary Lamp Type

Consult factory for additional sign configurations.

**MECHANICAL SPECIFICATIONS**

**CASE DIMENSIONS**



<b>LENGTH</b>	14.45"
<b>WIDTH</b>	3.23"
<b>HEIGHT</b>	2.20"
<b>MOUNTING</b>	13.75"
<b>CASE STYLE</b>	L16

**STANDARD LEAD LENGTHS\***

<b>WHITE</b>	24"
<b>BLACK</b>	24"
<b>RED</b>	132"
<b>BLUE</b>	132"

Lead wires are 18 AWG  
105°C/600V, solid copper.

\*Consult Keystone for special lead length requirements.

**CASE MATERIAL:** Metal



PARALLELWIRE  
ELECTRONIC SIGN BALLASTS

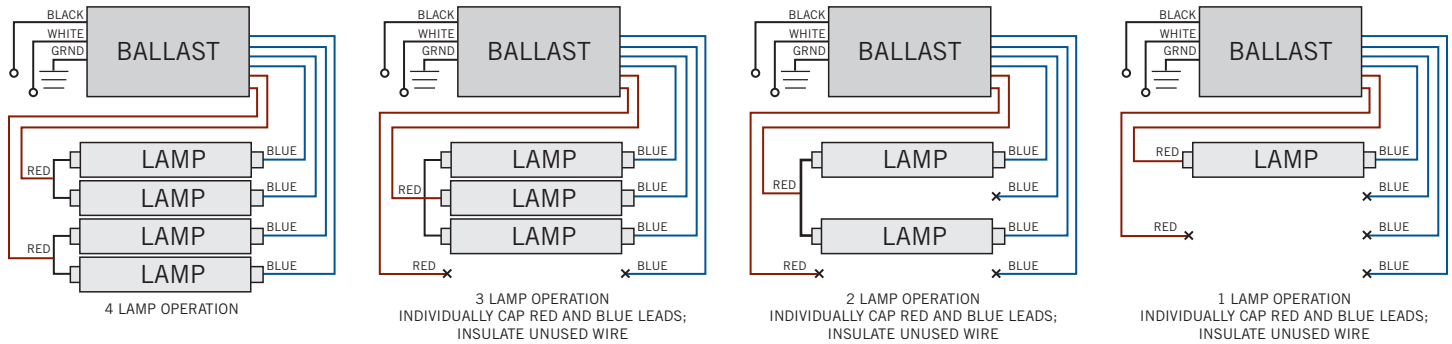
# KTSB-E-1040-14-UV

## FOR INSTALLATION PURPOSES

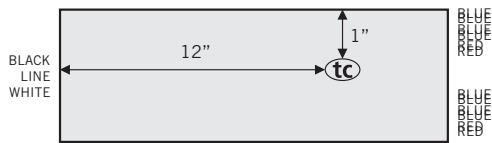
Electronic sign ballast for 4, 3, 2, and 1 T12HO lamps, 10' long.

Electronic sign ballast for 4, 3, 2, and 1 T8HO, 8' long.

## WIRING DIAGRAM



## HOT SPOT LOCATION



Actual tc point is noted on each ballast label.

## ORDERING INFORMATION

ORDER CODE	PACKAGING STYLE	PACK QTY.	ITEM STATUS
KTSB-E-1040-14-UV /A-IP	Individually Packaged	1	Quick Ship

## CATALOG NUMBER BREAKDOWN

# KTSB-E-1040-14-UV /A-IP

Keystone Technologies Sign Ballast	Electronic	Min. Total Lamp Length*	Max. Total Lamp Length*	Min. Lamps	Max. Lamps	120-277V Input	Manufacturing Revision	Packaging Style
------------------------------------	------------	-------------------------	-------------------------	------------	------------	----------------	------------------------	-----------------

\*Minimum and maximum total lamp length based on T12HO lamps.