



# KTEB-454HO-UV-PS

## T5HO ELECTRONIC BALLAST

Version D3

### DESCRIPTION

4 x F54T5HO | 120-277 Multi-Voltage | High Power Factor | Program Start | 90°C Rated



<b>STARTING METHOD:</b> Program Start
<b>LAMP CONNECTION:</b> Series
<b>INPUT VOLTAGE:</b> 120-277Vac ±10%
<b>INPUT FREQUENCY:</b> 50/60 Hz
<b>POWER FACTOR:</b> High
<b>WARRANTY:</b> 5 Years



### PRODUCT FEATURES

- 2014 DOE Compliant
- Sound Rated: A
- Minimum Starting Temperature: -20°F, -29°C
- Maximum Case Temperature: 194°F, 90°C
- Meets FCC Part 18 (Class A) Non-Consumer Limits
- Meets ANSI Standard C82.11 and C62.41
- Output Voltage: 400V
- Voltage to Ground: 360V
- UL, cUL Listed Class P, Type 1 Outdoor
- Lamp End-of-Life Protected
- Type HL, Type CC

### ELECTRICAL SPECIFICATIONS

CONTINUED ON PAGE 2

LAMP TYPE	NO. OF LAMPS	INPUT VOLTS	INPUT WATTS	NOMINAL LINE AMPS	POWER FACTOR	BALLAST FACTOR	BALLAST EFFICACY FACTOR	MAX THD	CREST FACTOR	WIRING DIAGRAM
F54T5HO	4	120V	240	1.93	>0.90	1.00	0.42	<10%	<1.70	F4-10
		277V	235	0.83	>0.90	1.00	0.43	<10%	<1.70	F4-10
	3	120V	184	1.42	>0.90	1.02	0.55	<10%	<1.70	F3-12, F3-13
		277V	182	0.61	>0.90	1.02	0.56	<10%	<1.70	F3-12, F3-13
	2	120V	122	1.02	>0.90	1.00	0.82	<10%	<1.70	F2-28
		277V	120	0.45	>0.90	1.00	0.83	<10%	<1.70	F2-28
1	120V	64	0.58	>0.90	1.02	1.59	<10%	<1.70	F2-28	
	277V	64	0.28	>0.90	1.02	1.59	<12%	<1.70	F2-28	
F54T5HO/ES (49W)	4	120V	215	1.83	>0.90	1.00	0.46	<10%	<1.70	F4-10
		277V	210	0.77	>0.90	1.00	0.47	<10%	<1.70	F4-10
	3	120V	162	0.37	>0.90	1.02	0.63	<10%	<1.70	F3-12, F3-13
		277V	160	0.59	>0.90	1.02	0.64	<10%	<1.70	F3-12, F3-13
	2	120V	107	0.90	>0.90	1.00	0.94	<10%	<1.70	F2-28
		277V	107	0.40	>0.90	1.00	0.94	<10%	<1.70	F2-28
1	120V	56	0.47	>0.90	1.02	1.82	<10%	<1.70	F2-28	
	277V	56	0.23	>0.90	1.02	1.82	<20%	<1.70	F2-28	
FT55W/2G11	4	120V	223	1.90	>0.90	0.85	0.38	<10%	<1.70	F4-10
		277V	217	0.80	>0.90	0.85	0.39	<10%	<1.70	F4-10
	3	120V	170	1.43	>0.90	0.87	0.51	<10%	<1.70	F3-12, F3-13
		277V	168	0.62	>0.90	0.87	0.52	<10%	<1.70	F3-12, F3-13
	2	120V	113	0.95	>0.90	0.85	0.75	<10%	<1.70	F2-28
		277V	113	0.42	>0.90	0.85	0.75	<10%	<1.70	F2-28
1	120V	60	0.50	>0.90	0.87	1.45	<10%	<1.70	F2-28	
	277V	60	0.24	>0.90	0.87	1.45	<15%	<1.70	F2-28	



# KTEB-454HO-UV-PS

## T5HO ELECTRONIC BALLAST

Version D3

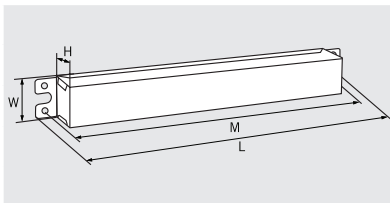
### ELECTRICAL SPECIFICATIONS

CONTINUED FROM PAGE 1

LAMP TYPE	NO. OF LAMPS	INPUT VOLTS	INPUT WATTS	NOMINAL LINE AMPS	POWER FACTOR	BALLAST FACTOR	BALLAST EFFICACY FACTOR	MAX THD	CREST FACTOR	WIRING DIAGRAM
FT50W/2G11	4	120V	240	2.00	>0.90	1.08	0.45	<10%	<1.70	F4-10
		277V	235	0.85	>0.90	1.08	0.46	<10%	<1.70	F4-10
	3	120V	182	1.52	>0.90	1.10	0.60	<10%	<1.70	F3-12, F3-13
		277V	179	0.66	>0.90	1.10	0.61	<10%	<1.70	F3-12, F3-13
	2	120V	120	1.00	>0.90	1.08	0.90	<10%	<1.70	F2-28
		277V	119	0.44	>0.90	1.08	0.91	<10%	<1.70	F2-28
1	120V	63	0.53	>0.90	1.10	1.75	<10%	<1.70	F2-28	
	277V	63	0.25	>0.90	1.10	1.75	<15%	<1.70	F2-28	
FT36W/2G11	4	120V	165	1.39	>0.90	1.08	0.66	<10%	<1.70	F4-10
		277V	165	0.61	>0.90	1.08	0.66	<10%	<1.70	F4-10
	3	120V	126	1.06	>0.90	1.10	0.87	<10%	<1.70	F3-12, F3-13
		277V	126	0.47	>0.90	1.10	0.87	<10%	<1.70	F3-12, F3-13
	2	120V	86	0.72	>0.90	1.08	1.26	<10%	<1.70	F2-28
		277V	86	0.33	>0.90	1.08	1.26	<12%	<1.70	F2-28
F58T8	4	120V	221	1.89	>0.90	1.03	0.47	<10%	<1.70	F4-10
		277V	217	0.80	>0.90	1.03	0.48	<10%	<1.70	F4-10
	3	120V	167	1.40	>0.90	1.05	0.63	<10%	<1.70	F3-12, F3-13
		277V	164	0.60	>0.90	1.05	0.64	<10%	<1.70	F3-12, F3-13
	2	120V	110	0.93	>0.90	1.03	0.94	<10%	<1.70	F2-28
		277V	110	0.41	>0.90	1.03	0.94	<10%	<1.70	F2-28
	1	120V	57	0.48	>0.90	1.05	1.84	<10%	<1.70	F2-28
		277V	57	0.23	>0.90	1.05	1.84	<20%	<1.70	F2-28

### PHYSICAL SPECIFICATIONS

#### CASE DIMENSIONS



<b>LENGTH</b>	16.70"
<b>WIDTH</b>	1.70"
<b>HEIGHT</b>	1.18"
<b>MOUNTING</b>	16.09"
<b>CASE STYLE</b>	L10

#### STANDARD LEAD LENGTHS\*

<b>BLACK</b>	25"
<b>WHITE</b>	25"
<b>GRAY</b>	25"
<b>BLUE</b>	25"
<b>BLUE/WHITE</b>	25"
<b>RED</b>	25"
<b>RED/WHITE</b>	25"
<b>YELLOW</b>	50"
<b>ORANGE</b>	50"

Lead wires are 18 AWG 105 C/600V, solid copper.

**CASE MATERIAL:** Steel

\*Consult Keystone for special lead length requirements.



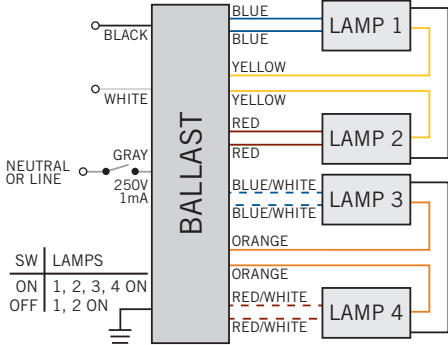
# KTEB-454HO-UV-PS

## T5HO ELECTRONIC BALLAST

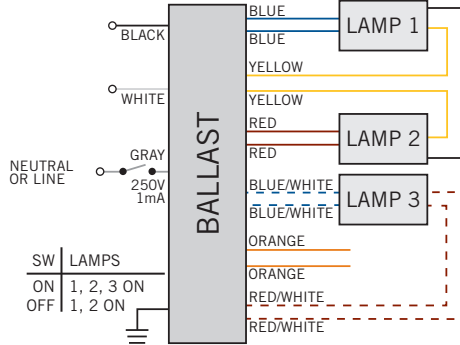
Version D3

### WIRING DIAGRAMS

F4-10

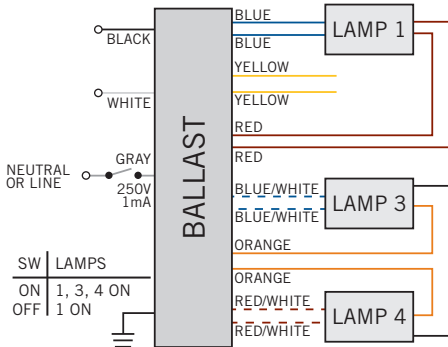


F3-12



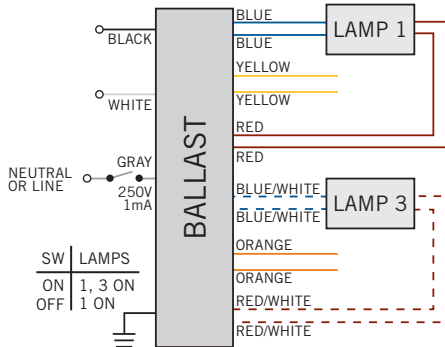
For 3 Lamp Application, Cap Orange Leads  
Insulate to 600V

F3-13



For 3 Lamp Application, Cap Yellow Leads  
Insulate to 600V

F2-28



For 2 Lamp Application, Cap Yellow and Orange Leads  
Insulate to 600V. For 1 Lamp Application, Cap All Leads  
except Blue and Red.

### ORDERING INFORMATION

ORDER CODE	PACKAGING STYLE	PACK QTY.	ITEM STATUS
KTEB-454HO-UV-PS-CP	Carton Pack	8	Quick Ship
KTEB-454HO-UV-PS-DP	Distributor Pack	8	Quick Ship

**NOTE:** Version D3 (Manufacturing Revision). Prior versions of this ballast exist. Spec sheets for prior versions available upon request. Contact Keystone for details.

### CATALOG NUMBER BREAKDOWN

# KTEB-454HO-UV-PS-CP

Keystone Technologies Electronic Ballast    4 Wattage High Output Lamp    Universal Voltage    Program Start    Packaging Style