



PRODUCT FEATURES

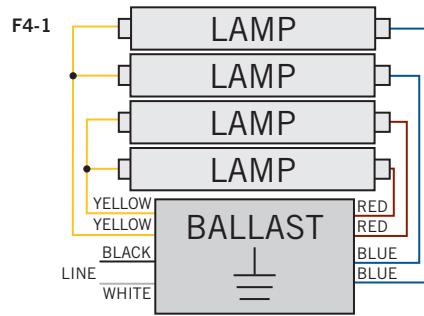
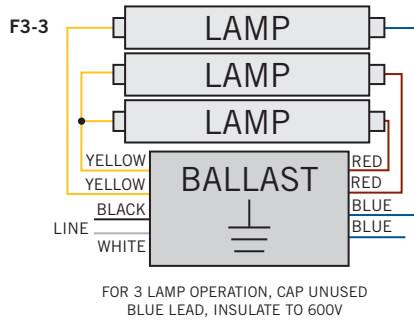
STARTING METHOD: Instant	INPUT VOLTAGE: 120-277VAC ±10%	WARRANTY: 5 Years
LAMP CONNECTION: Parallel	INPUT FREQUENCY: 50/60 Hz	POWER FACTOR: High

- Sound Rated: A
- Minimum Starting Temperature: 0°F, -18°C
- Maximum Case Temperature: 167°F, 75°C
- Meets FCC Part 18 (Class A) Non-Consumer Limits
- Transient Protection Meets ANSI/IEEE C62.41 Cat. A
- Ballast frequency for all listed lamps: > 40kHz

ELECTRICAL SPECIFICATIONS

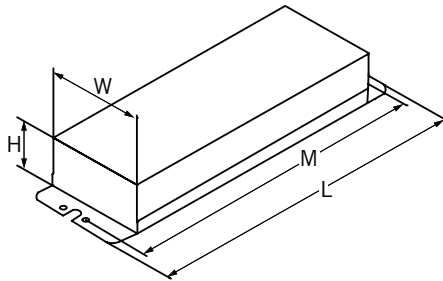
LAMP TYPE	NO. OF LAMPS	INPUT VOLTS	INPUT WATTS	INPUT CURRENT (AMPS)	POWER FACTOR	CREST FACTOR	BALLAST FACTOR	BALLAST EFFICACY FACTOR	MAX THD%	WIRING DIAGRAM
F32T8 32W	4	120	98.0	0.82	0.99	<1.70	0.78	0.80	10	F4-1
		277	96.0	0.35	0.98	<1.70	0.77	0.80	10	F4-1
	3	120	81.0	0.68	0.99	<1.70	0.87	1.07	10	F3-3
		277	78.0	0.28	0.97	<1.70	0.86	1.10	12	F3-3
F32T8 30W	4	120	92.0	0.77	0.99	<1.70	0.76	0.83	10	F4-1
		277	92.0	0.33	0.98	<1.70	0.75	0.82	10	F4-1
	3	120	75.0	0.63	0.99	<1.70	0.82	1.09	10	F3-3
		277	75.0	0.27	0.97	<1.70	0.81	1.08	12	F3-3
F32T8 28W	4	120	89.0	0.74	0.99	<1.70	0.78	0.88	10	F4-1
		277	89.0	0.32	0.98	<1.70	0.77	0.87	10	F4-1
	3	120	68.0	0.57	0.99	<1.70	0.79	1.16	10	F3-3
		277	74.0	0.27	0.97	<1.70	0.78	1.05	12	F3-3
F32T8 25W	4	120	81.0	0.68	0.99	<1.70	0.80	0.99	10	F4-1
		277	83.0	0.30	0.98	<1.70	0.81	0.98	10	F4-1
	3	120	67.0	0.56	0.99	<1.70	0.88	1.31	10	F3-3
		277	69.0	0.25	0.97	<1.70	0.90	1.30	12	F3-3
F25T8 25W	4	120	76.0	0.63	0.99	<1.70	0.75	0.99	10	F4-1
		277	77.0	0.28	0.98	<1.70	0.76	0.99	10	F4-1
	3	120	63.0	0.53	0.99	<1.70	0.82	1.30	10	F3-3
		277	63.0	0.23	0.97	<1.70	0.84	1.33	12	F3-3
F17T8 17W	4	120	56.0	0.47	0.99	<1.70	0.81	1.45	10	F4-1
		277	56.0	0.20	0.96	<1.70	0.81	1.45	12	F4-1
	3	120	47.0	0.39	0.99	<1.70	0.90	1.91	10	F3-3
		277	47.0	0.17	0.95	<1.70	0.90	1.91	15	F3-3
F40T8 40W	3	120	97.0	0.81	0.99	<1.70	0.79	0.81	10	F3-3
		277	98.0	0.35	0.98	<1.70	0.80	0.82	10	F3-3

WIRING DIAGRAMS



Instant Start T8 ballasts require the use of Shunted lampholders/sockets.

CASE STYLE/DIMENSIONS



CASE DIMENSIONS

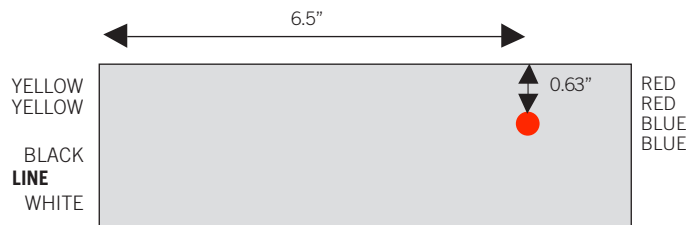
LENGTH: 9.50"
WIDTH: 1.38"
HEIGHT: 1.18"
MOUNTING: 8.90"
UNIT WEIGHT: 1.23 lbs

STANDARD LEAD LENGTHS*

BLACK: 25.00"
WHITE: 25.00"
BLUE: 31.00" X 31.00"
RED: 31.00" X 31.00"
YELLOW: 45.00" X 45.00"

*Consult Keystone for special lead length requirements.

HOT SPOT LOCATION



ORDERING INFORMATION

ORDER CODE	PACKAGING STYLE	PACK QTY.	ITEM STATUS
KTEB-432-UV-IS-L-P-CP	Carton	40	Quick Ship
KTEB-432-UV-IS-L-P-DP	Carton	10	Quick Ship

CATALOG NUMBER BREAKDOWN

KTEB-432-UV-IS-L-P

