



# KTEB-332-UV-IS-L-P

## T8 ELECTRONIC BALLAST

Version D1



### DESCRIPTION

3×F32T8 | 120-277 Multi-Voltage | HPF | Instant Start

<b>STARTING METHOD:</b> Instant
<b>LAMP CONNECTION:</b> Parallel
<b>INPUT VOLTAGE:</b> 120-277VAC ±10%
<b>INPUT FREQUENCY:</b> 50/60 Hz
<b>POWER FACTOR:</b> High
<b>WARRANTY:</b> 5 Years



### PRODUCT FEATURES

- 2014 DOE Compliant
- Sound Rated: A
- Maximum Ambient Temperature: 105°F, 40°C
- Maximum Case Temperature: 167°F, 75°C
- Meets FCC Part 18 (Class A) Non-Consumer Limits
- Meets ANSI Standard C82.11 and C62.41
- UL, cUL Listed Class P, Type 1 Outdoor
- Anti-Striation Circuitry
- Type HL

### ELECTRICAL SPECIFICATIONS

LAMP TYPE	NO. OF LAMPS	INPUT VOLTS	INPUT WATTS	INPUT CURRENT (AMPS)	POWER FACTOR	BALLAST FACTOR	BALLAST EFFICACY FACTOR	MAX THD%	CREST FACTOR	MIN START TEMP	WIRING DIAGRAM
F32T8 (32W)	3	120	73.5	0.63	>0.9	0.78	1.06	10	<1.7	0°F, -18°C	F3-2
		277	72.1	0.27	>0.9	0.78	1.08	10	<1.7	0°F, -18°C	F3-2
	2	120	55.7	0.47	>0.9	0.90	1.62	10	<1.7	0°F, -18°C	F2-5
		277	55.1	0.20	>0.9	0.90	1.63	12	<1.7	0°F, -18°C	F2-5
F32T8 (30W)	3	120	67.0	0.57	>0.9	0.78	1.16	10	<1.7	60°F, 16°C	F3-2
		277	66.0	0.25	>0.9	0.78	1.18	12	<1.7	60°F, 16°C	F3-2
	2	120	50.1	0.42	>0.9	0.90	1.80	10	<1.7	60°F, 16°C	F2-5
		277	49.8	0.19	>0.9	0.90	1.81	12	<1.7	60°F, 16°C	F2-5
F32T8 (28W)	3	120	66.2	0.56	>0.9	0.78	1.18	10	<1.7	60°F, 16°C	F3-2
		277	65.2	0.24	>0.9	0.78	1.20	12	<1.7	60°F, 16°C	F3-2
	2	120	47.7	0.42	>0.9	0.90	1.89	10	<1.7	60°F, 16°C	F2-5
		277	48.7	0.19	>0.9	0.90	1.85	12	<1.7	60°F, 16°C	F2-5
F32T8 (25W)	3	120	57.7	0.50	>0.9	0.78	1.35	10	<1.7	60°F, 16°C	F3-2
		277	57.3	0.22	>0.9	0.78	1.36	12	<1.7	60°F, 16°C	F3-2
	2	120	46.6	0.39	>0.9	0.90	1.93	10	<1.7	60°F, 16°C	F2-5
		277	46.4	0.17	>0.9	0.90	1.94	12	<1.7	60°F, 16°C	F2-5
F25T8	3	120	57.7	0.48	>0.9	0.78	1.35	10	<1.7	0°F, -18°C	F3-2
		277	57.3	0.21	>0.9	0.78	1.36	12	<1.7	0°F, -18°C	F3-2
	2	120	42.9	0.36	>0.9	0.90	2.10	10	<1.7	0°F, -18°C	F2-5
		277	42.8	0.16	>0.9	0.90	2.10	12	<1.7	0°F, -18°C	F2-5
F17T8	3	120	40.6	0.33	>0.9	0.80	1.97	10	<1.7	0°F, -18°C	F3-2
		277	40.7	0.15	>0.9	0.80	1.97	12	<1.7	0°F, -18°C	F3-2
	2	120	31.1	0.26	>0.9	0.92	2.96	10	<1.7	0°F, -18°C	F2-5
		277	31.3	0.12	>0.9	0.92	2.94	12	<1.7	0°F, -18°C	F2-5
F40T8	2	120	66.4	0.57	>0.9	0.84	1.27	10	<1.7	0°F, -18°C	F2-5
		277	65.4	0.24	>0.9	0.84	1.28	12	<1.7	0°F, -18°C	F2-5



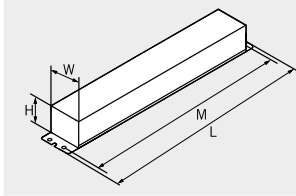
# KTEB-332-UV-IS-L-P

## T8 ELECTRONIC BALLAST

Version D1

### PHYSICAL SPECIFICATIONS

#### CASE DIMENSIONS



<b>LENGTH</b>	9.50"
<b>WIDTH</b>	1.30"
<b>HEIGHT</b>	1.18"
<b>MOUNTING</b>	9.00"
<b>CASE STYLE</b>	L4

#### STANDARD LEAD LENGTH\*

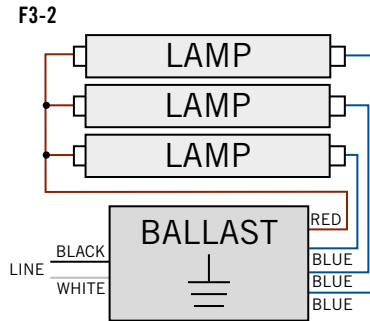
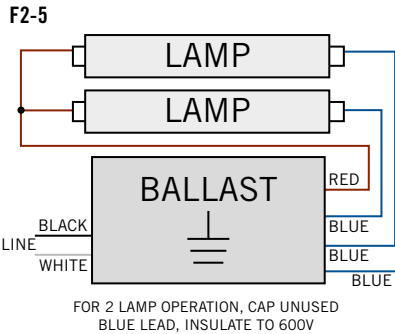
<b>WHITE</b>	25"
<b>BLACK</b>	25"
<b>BLUE</b>	31"
<b>RED</b>	37"

\* Consult Keystone for special lead length requirements.

#### CASE MATERIAL: Steel

Lead wires are 18 AWG 105 C/600V, solid copper.

### WIRING DIAGRAMS



### ORDERING INFORMATION

ORDER CODE	PACKAGING STYLE	PACK QTY.	ITEM STATUS
KTEB-332-UV-IS-L-P-CP	Carton Pack	10	Quick Ship
KTEB-332-UV-IS-L-P-DP	Distributor Pack		

NOTE: Version D1 (Manufacturing Revision). Prior versions of this ballast exist. Spec sheets for prior versions available upon request. Contact Keystone for details.

### CATALOG NUMBER BREAKDOWN

# KTEB-332-UV-IS-L-P-CP

