



LSC2™ Series

LED Square Canopy

DESCRIPTION

The LSC2 family of LED canopy fixtures combine high-performance LEDs, highly-engineered optics to traditional designs to bring you the most advanced line of canopy fixtures on the market. Upgraded and improved from the first generation canopy, now in Kelvin selectable. The long LED life coupled with exceptional color rendering make this fixture attractive for new or retrofit projects. Multiple lumen packages mean there is an LSC2 that is just right for your lighting needs.



LSC2 Series

40W (4500 Lumens)

70W (8000 Lumens)



Specification Features

Construction

Rugged die cast aluminum housing withstands outdoor environments. Outer surface treated with durable power coating to provide resistant to corrosion, rust, weathering, and or degradation. Performance engineered internal heat dissipation fins provide superior thermal management for lens life and reliability.

Qualifications

All luminaires are built to UL 1598 and 2108 standards, and bear appropriate ETL labels. Wet location labeling is standard. Emergency equipped fixtures labeled UL924. Adheres to LM70, LM80, and TM21 industry standards. DesignLights Consortium® (DLC) DLC qualified product. Not all product variations in this list are DLC qualified. Please check the DLC Qualified Products List at www.designlights.org/QPL to confirm which models are qualified.

Electrical

Equipped standard with 0-10V continuous dimming driver that works with any standard 0-10V control/dimmer. Long-Life LED's 60,000 hours at L80 with projected life over 100,000 hours for reduced life cycle maintenance costs.

Installation

Luminaire mounting designed for standard J-Box. Features multiple conduit entries.

Warranty

5-year limited warranty. See complete warranty for terms and exclusions. (Labor not included).

Rated Life 60,000 hours
 Limited Warranty 5 Years
 Efficacy ~ 140 lm/W
 Continuous Dimming



Quick Ship/ DLC Listed
 LSC2-40-MVD-830/40/50
 LSC2-70-MVD-830/40/50

Ordering Information

Example:LSC2-40-MVD-830/40/50

LSC2	40	MVD	8	30/40/50	
Series LSC2 LED Square Canopy	Rated Wattage 40- 40W (4500 Lumens) ² 70- 70W (8000 Lumens) ²	Driver Type MVD-120-277V, 0-10V Dimming ² HVD- 347-480V, 0-10V Dimming ¹	CRI 8 80+ CRI ²	Color Temp 30/40/50 3000K, 4000K, 5000K Selectable	
Options					
		Emergency Backup EML-20-RFM- 20W Emergency Battery		Controls MOSB-FM- Microwave Bi- Level Sensor Fixture Mount OSBL- Fixture Mounted Occupancy Sensor, Bi-Level	

Specifications and Dimensions subject to change without notice.

Performance Summary

Input Voltage	120-277V
Input Frequency	50/60 Hz
Rated Wattage	See Performance Table
Delivered Lumens	See Performance Table
Efficacy	> 114 lm/W
CRI	80+, R9 > 0
Available CCT ¹	5000K
Color Consistency ²	5-step MacAdam Ellipse
Rated Life	60,000 hours
L70 ³	> 72,000 hours or > 45,000
Power Factor	>0.99
THD	< 2.3%
Dimming	0-10V Continuous (10-100%)
Operating Temp.	-18°C to 40°C

Performance Data

Lens Type	Form Factor	Catalog No.	Rated Wattage (W)	Delivered Lumens	Efficacy (lm/W)
Frosted Acrylic		LSC2-40-MVD-830/40/50	40W	4,500	112.5
		LSC-70-MVD-830/40/50	70W	8,000	114.28

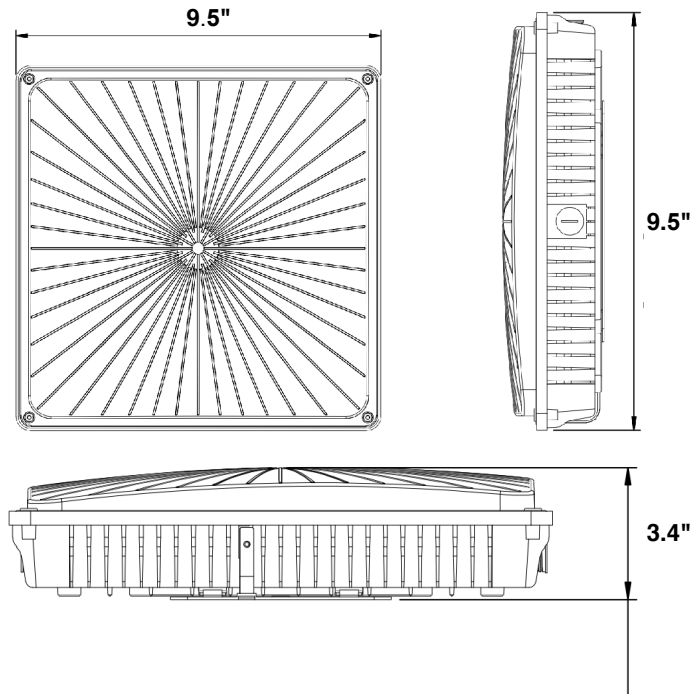
NOTES:

- ¹ Made to order items. Minimum 90 day lead time. Minimum 500 order quantity.
- ² DLC Listed Pending
- ³ DLC Premium Listed
- ⁴ Quick ship: 5000K. Other CCTs may require a lead time or be special order
- ⁵ Typical color consistency. May vary or be changed.
- ⁶ L70 hours calculated based on LED package manufacturer LM80 report and ISTMT report of LED in luminaire. Stated values are for select catalog numbers. Contact GlobaLux for detailed information.
- ⁷ Actual performance may differ as a result of end-user environment and application. All values are design or typical values, measured under laboratory conditions at 25 °C.

Specifications and Dimensions subject to change without notice.

Product Dimensions

LSC2-40/70



Photometric Data

LSC2-40-MVD-830/40/50 Tested In accordance to IESNA LM-79

[Polar Candela Curve](#)

[Zonal Lumen Summary](#)

[Coefficient of Utilization](#)

[Effective Floor Cavity Reflectance 20%](#)

Coming Soon

Photometric Data

LSC2-70-MVD-830/40/50 Tested In accordance to IESNA LM-79

[Polar Candela Curve](#)

[Zonal Lumen Summary](#)

[Coefficient of Utilization](#)

[Effective Floor Cavity Reflectance 20%](#)

Coming Soon



© 2019 Globalux Lighting, LLC. All rights reserved. For informational purposes only. Reproduction in whole or part is prohibited without prior written consent of the copyright owner. The information presented in this document does not form part of any quotation or contract, is believed to be accurate and reliable and may be changed without notice. No liability will be accepted by the publisher for any consequences of its use. Globalux Lighting reserves the rights make changes in specification at any time without notice.

Globalux Lighting LLC
www.globaluxlighting.com
773 S. Benson Ave
Ontario, CA 91762
Ph: 909-591-7506