

## LED CEILING LIGHT

### Model No. EIN-CL57WH-1000e

Ideal for kitchens, hallways and entryways, this Euri Lighting flushmount ceiling light features a switch on the unit which allows for adjustment of the color temperature 2700K/3000K/3500K/4000K/5000K. Energy efficient and long-lasting, this LED ceiling light reduces energy costs and maintenance worries, while still adding a simple touch of style to any home. Features include: dimming option, 5CCT selectable, damp rated, Title24 and Energy Star.



White Aluminum Housing & Frosted Plastic Lens



15 Watts



5CCT Selectable



Dimmable (Using Triac)



Energy Efficient



Wet Rated



Integrated LED Fixture

### Electrical Specifications

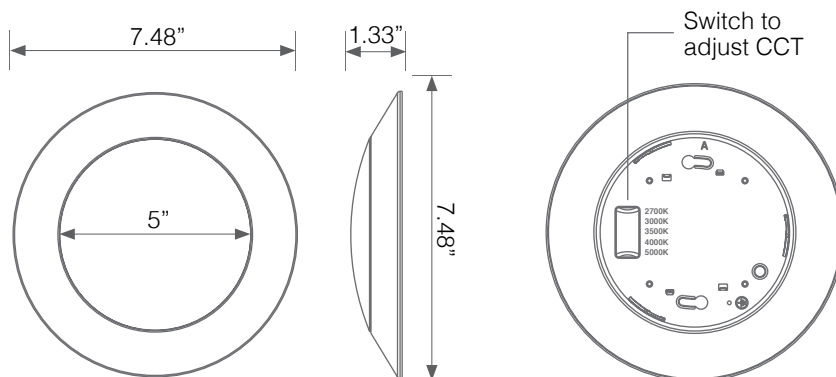
Model No.	Input Power	Input Voltage	Lumen Output	Beam Angle	Center Beam	CCT
EIN-CL57WH-1000e	15 W	120V	1000 lm	110°	N/A	2700/3000/3500 4000/5000K

CRI	Luminous Efficacy	Power Factor	Input Current	Base	Lamp Lifespan	Estimated Yearly Cost
90	66.7 lm/W	0.9	0.135 A	Disk	50,000 Hrs.	\$ 1.80

### Mechanical Specifications

Rating	Operational Temperature	Inner Box QTY.	Master Box QTY.	Dimensions(in.)	UPC Code
Wet Rated	-4°F - 104°F	1 pc	12 pcs	7.48"(ø) x 1.33"(H)	811174035138

### Product Dimensions



### Product Photometric Data

