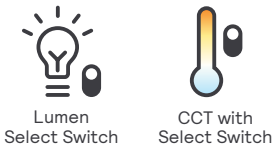




**Lightolier LED Flat Downlight dual select** provides an easy and quick downlight solution without the traditional frame and reflector. Perfect for installation in low plenum and existing shallow space ceilings. The CCT selector (2700K, 3000K, 3500K, 4000K & 5000K) and Lumen selector features make it easy to adjust both features at the time of installation.

Project: \_\_\_\_\_  
 Location: \_\_\_\_\_  
 Cat.No: \_\_\_\_\_  
 Type: \_\_\_\_\_  
 Qty: \_\_\_\_\_  
 Notes: \_\_\_\_\_



### Fixture

example: FD3RSLMZ10SCTUW

Family	Size	Lumens	Dimming	CCT / CRI	Voltage	Finish
<b>FD</b> Flat Downlight						<b>W</b> White (matte)
FD Flat Downlight	3R 3in Round	4 400lm	E TRIAC to 5%	SCT Field Selectable 5CCT options	1 120V	W White (matte)
		SLM Field Selectable (370lm/500lm)	Z10 0-10V	SCT Field Selectable 5CCT options	U UNV	
4R 4in Round	7 700lm	E TRIAC to 5%	SCT Field Selectable 5CCT options	1 120V	U UNV	
		SLM Field Selectable (540lm/700lm)	Z10 0-10V	SCT Field Selectable 5CCT options		
5R 5in Round	9 900lm	E TRIAC to 5%	SCT Field Selectable 5CCT options	1 120V	U UNV	
		SLM Field Selectable (900lm/1100lm)	Z10 0-10V	SCT Field Selectable 5CCT options		
6R 6in Round	11 1100lm	E TRIAC to 5%	SCT Field Selectable 5CCT options	1 120V	U UNV	
		SLM Field Selectable (900lm/1100lm)	Z10 0-10V	SCT Field Selectable 5CCT options		
8R 8in Round	13 1300lm	E TRIAC to 5%	SCT Field Selectable 5CCT options	1 120V	U UNV	
		SLM Field Selectable (1100lm/1300lm)	Z10 0-10V	SCT Field Selectable 5CCT options		
3S 3in Square	SLM Field Selectable (370lm/500lm)	Z10 0-10V	SCT Field Selectable 5CCT options	U UNV		
4S 4in Square	SLM Field Selectable (540lm/700lm)	Z10 0-10V	SCT Field Selectable 5CCT options	U UNV		
6S 6in Square	SLM Field Selectable (900lm/1100lm)	Z10 0-10V	SCT Field Selectable 5CCT options	U UNV		
8S 8in Square	SLM Field Selectable (1100lm/1300lm)	Z10 0-10V	SCT Field Selectable 5CCT options	U UNV		

Note: Square downlights not stocked in Canada. Please inquire for price and availability.

SCT Field Selectable 5CCT options are (2700K, 3000K, 3500K, 4000K & 5000K)

### Accessories

- FD4NCP Flat Downlight G2 - 4" new construction plate
- FD6NCP Flat Downlight G2 - 6" new construction plate

### Features

- Flange:** metal alloy, powder coating in white.
- Lens:** diffuser is used for smooth and diffused light pattern.
- Junction Box:** extruded aluminum and steel.
- Connector:** locking power connection is used to connect J-box and fixture. Standard length of the connection is 14.96in (38cm).
- Ceiling cutout:** installation template is provided.
- Gasket:** foam gasket supplied with fixture.

### Electrical

**Electronic power supply:**  
 RoHS compliant.  
 Isolated driver, Grounding Class 2 Power Unit.  
 Remote power supply can only accommodate one LED module and cannot be shared with other LED module.

**Dimming:**  
 120V versions are compatible with ELV/TRIAC (120V) dimmers.  
 UNV versions are compatible with 0-10V (UNV) dimmers.

### Labels

ETL listed (UL 1598) for wet locations (covered ceiling only). IC rated for direct contact with thermal insulation.  
 AirSeal for minimal air leakage.  
 ENERGY STAR® certified.  
 Title 24 compliant (JA8).

### Warranty

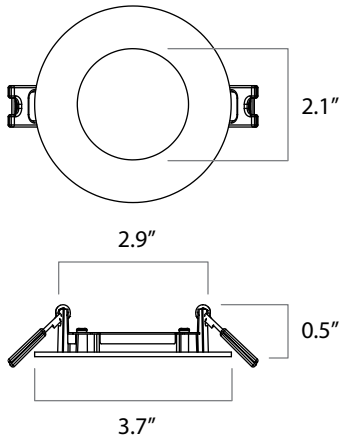
**Lifetime:** Expected lifetime 50,000 hours and backed by a 5-year warranty (visit [signify.com/warranties](http://signify.com/warranties) for details).

# FD Flat Downlight dual select

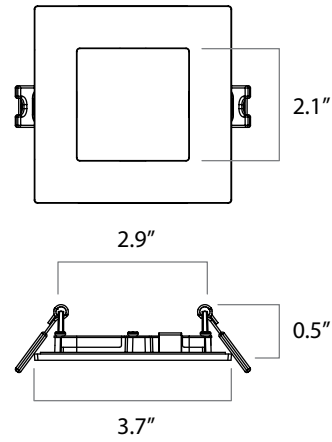
Round & Square aperture recessed downlight

## Dimensions

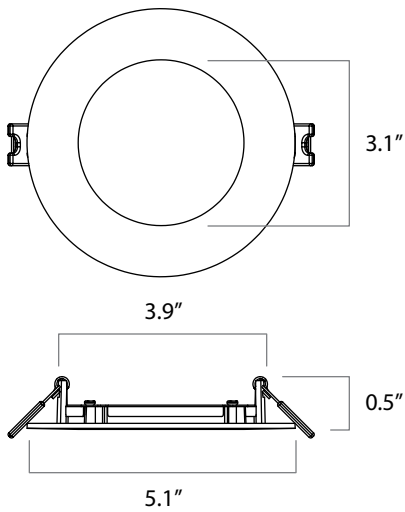
Downlight 3" Round



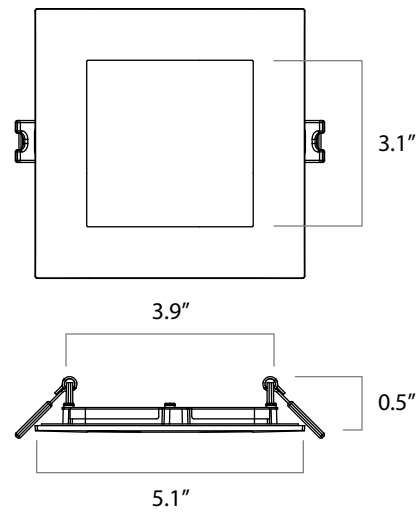
Downlight 3" Square



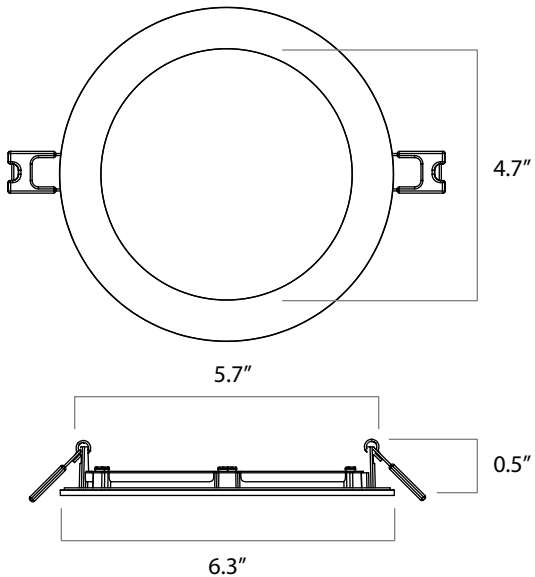
Downlight 4" Round



Downlight 4" Square



Downlight 5" Round

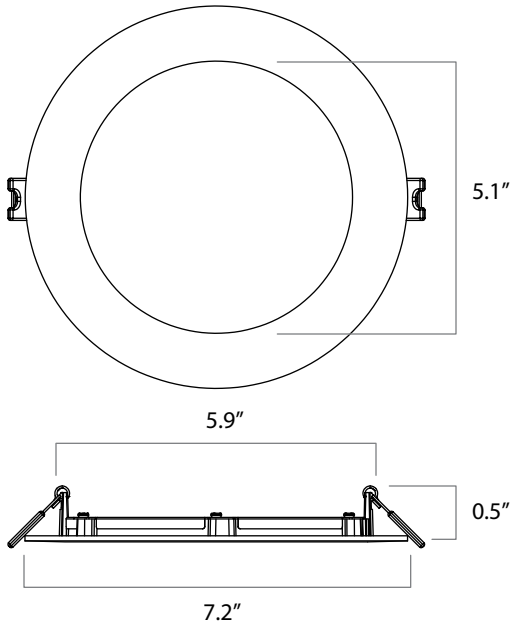


# FD Flat Downlight dual select

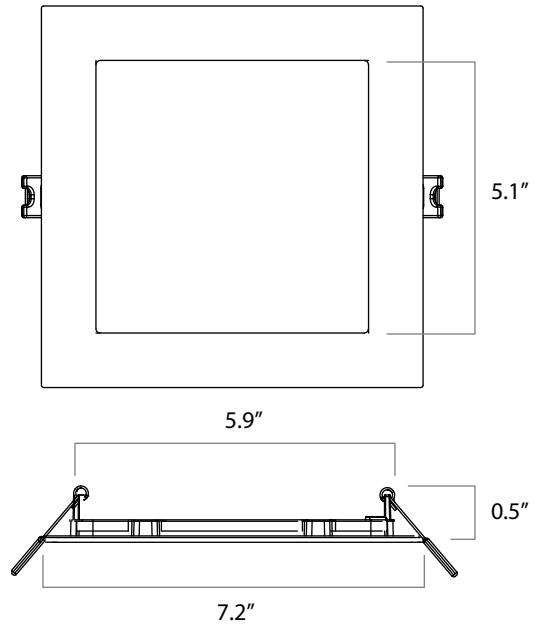
Round & Square aperture recessed downlight

## Dimensions

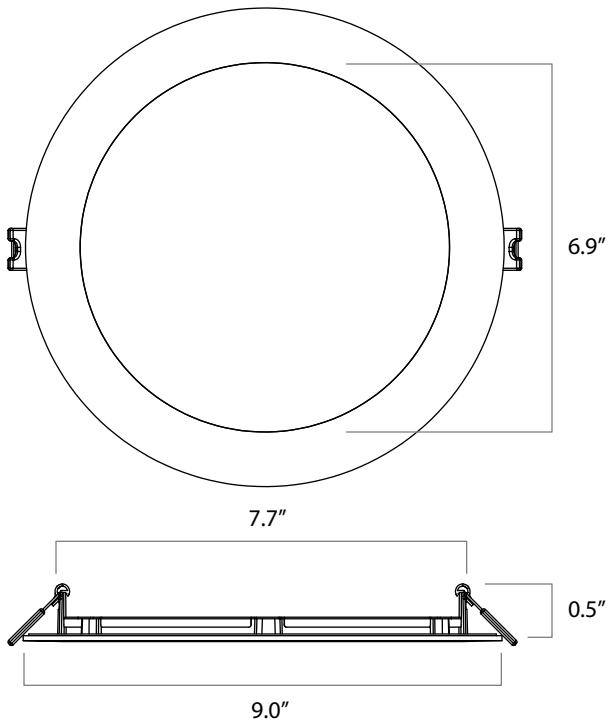
Downlight 6" Round



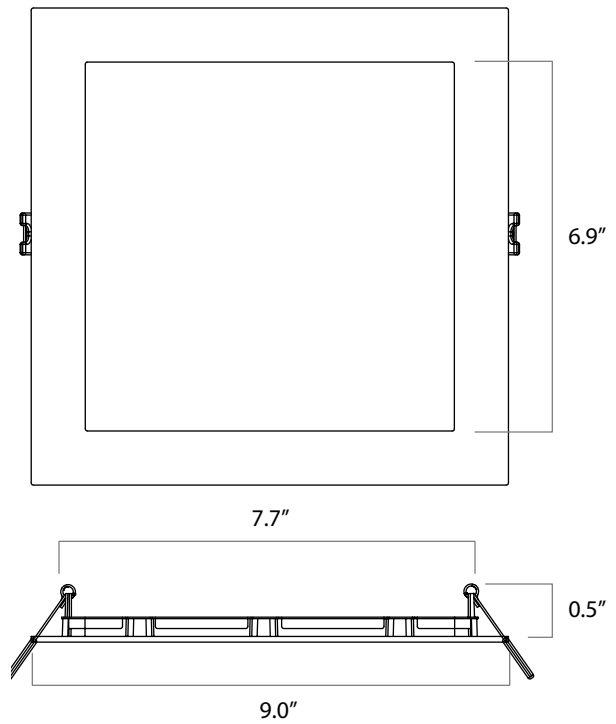
Downlight 6" Square



Downlight 8" Round



Downlight 8" Square

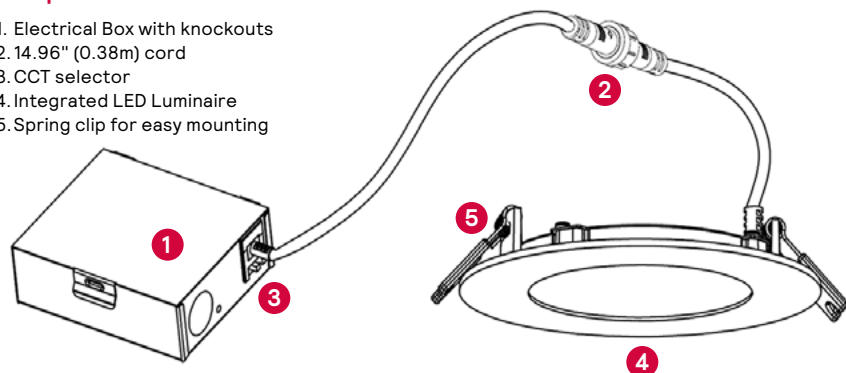


# FD Flat Downlight dual select

## Round & Square aperture recessed downlight

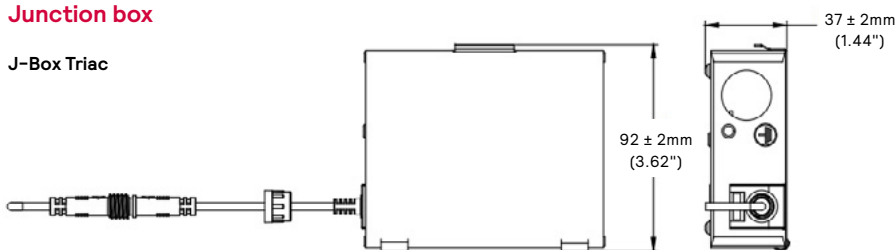
### Components

1. Electrical Box with knockouts
2. 14.96" (0.38m) cord
3. CCT selector
4. Integrated LED Luminaire
5. Spring clip for easy mounting

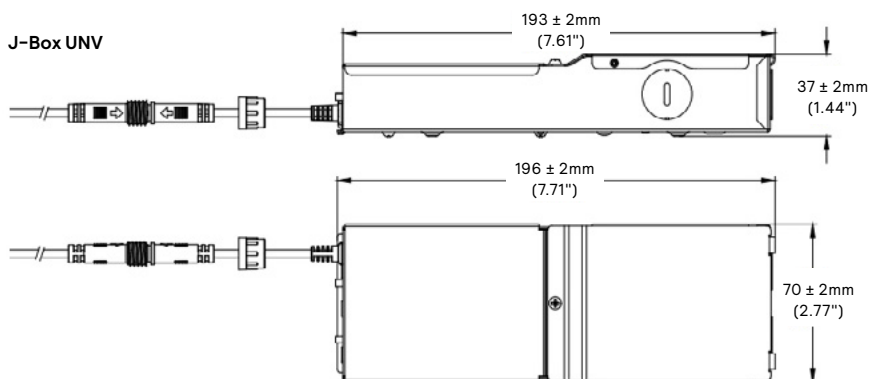


### Junction box

#### J-Box Triac



#### J-Box UNV



	Lumen Output	Input voltage	Input Freq	Max. Input current	Max. Input power	Max. THD	Power factor	CRI
3" Round 120V	480lm	120V	60Hz	0.20A	8W	20%	0.9	90
3" Round UNV	370lm/500lm	120V - 277V	50/60Hz	0.20A	8W/6W	20%	0.9	90
4" Round 120V	700lm	120V	60Hz	0.25A	11W	20%	0.9	90
4" Round UNV	540lm/700lm	120V - 277V	50/60Hz	0.25A	11W/9W	20%	0.9	90
5" Round 120V	900lm	120V	60Hz	0.30A	13W	20%	0.9	90
5" Round UNV	700lm/900lm	120V - 277V	50/60Hz	0.30A	13W/11W	20%	0.9	90
6" Round 120V	1100lm	120V	60Hz	0.39A	15W	20%	0.9	90
6" Round UNV	900lm/1100lm	120V - 277V	50/60Hz	0.39A	15W/12W	20%	0.9	90
8" Round 120V	1300lm	120V	60Hz	0.41A	18W	20%	0.9	90
8" Round UNV	1100lm/1300lm	120V - 277V	50/60Hz	0.41A	18W/15W	20%	0.9	90
3" Square UNV	370lm/500lm	120V - 277V	50/60Hz	0.20A	8W/6W	20%	0.9	90
4" Square UNV	540lm/700lm	120V - 277V	50/60Hz	0.28A	11W/9W	20%	0.9	90
6" Square UNV	900lm/1100lm	120V - 277V	50/60Hz	0.39A	15W/12W	20%	0.9	90
8" Square UNV	1100lm/1300lm	120V - 277V	50/60Hz	0.41A	18W/15W	20%	0.9	90

\* Restrictions on Hazardous Substances (RoHS) is a European directive (2002/95/EC) designed to limit the content of 6 substances [lead, mercury, cadmium, hexavalent chromium, polybrominated biphenyls (PBB), and polybrominated diphenyl ethers (PBDE)] in electrical and electronic products. For products used in North America compliance to RoHS is voluntary and self-certified.