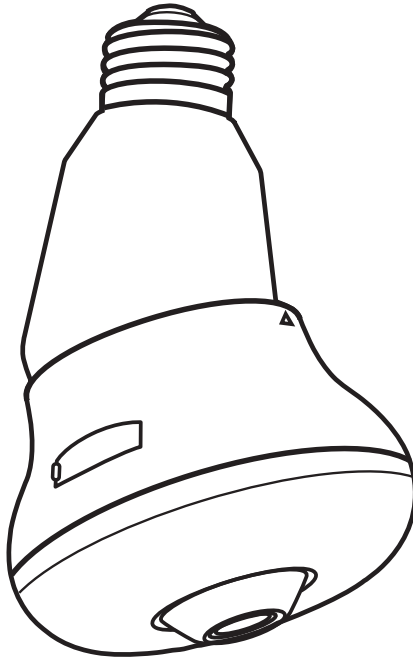




Thank you for your purchase. Questions, comments or feedback? We'd love to hear from you. Visit feit.com/help for support.

SMART CAMERA BULB WITH ADJUSTABLE HEAD

IMPORTANT SAFETY INSTRUCTIONS AND INSTALLATION GUIDE



Works with
Feit Electric app



Only supports
2.4GHz Wi-Fi
Networks

**READ BEFORE INSTALLATION.
SAVE THESE INSTRUCTIONS.**

Questions, problems, missing parts?
Before returning to store, visit feit.com/help for further assistance.



Table of Contents

Safety Information	2
FCC Statement	2
Limited Warranty	2
Pre-Assembly	3
Description	3
Installation	4
App Setup	5
Need Help?	5
Troubleshooting	6

Safety Information

IMPORTANT SAFEGUARDS:

ALWAYS FOLLOW BASIC SAFETY PRECAUTIONS WHEN USING ELECTRICAL PRODUCTS, ESPECIALLY WHEN CHILDREN ARE PRESENT.



CAUTION: Please read all information carefully before installation.



CAUTION: Suitable for Damp Locations.



CAUTION: Do not use with dimmers.



CAUTION: Use only on 120VAC 60Hz circuit. This product is not user-serviceable. Do not attempt to open the product enclosure for any reason. Reliable operating temperature is -4°F to 104°F (-20°C to 40°C).



CAUTION: This device is not intended for use with emergency exits.

Supplier's Declaration of Conformity:

47 CFR § 2.1077 Compliance Information

Responsible Party:

Feit Electric Company

4901 Gregg Road,

Pico Rivera, CA 90660, USA

562-463-2852

Unique Identifier:

A450/850/CAMWIFI/LED

This device complies with part 15 of the FCC Rules. Operation is subject to the following two conditions: (1) This device may not cause harmful interference, and (2) this device must accept any interference received, including interference that may cause undesired operation. Note: This equipment has been tested and found to comply with the limits for a Class B digital device, pursuant to part 15 of the FCC Rules. These limits are designed to provide reasonable protection against harmful interference in a residential installation. This equipment generates, uses and can radiate radio frequency energy and, if not installed and used in accordance with the instructions, may cause harmful interference to radio communications. However, there is no guarantee that interference will not occur in a particular installation. If this equipment does cause harmful interference to radio or television reception, which can be determined by turning the equipment off and on, the user is encouraged to try to correct the interference by one or more of the following measures: Reorient or relocate the receiving antenna. Increase the separation between the equipment and receiver. Connect the equipment into an outlet on a circuit different from that to which the receiver is connected. Consult the dealer or an experienced radio/TV technician for help. Any changes or modifications not expressly approved by the manufacturer could void the user's authority to operate the equipment. CAN ICES-005 (B).

The device has been evaluated to meet general RF exposure requirement.

The device can be used in portable exposure condition without restriction.

The device can be used in mobile (min 7.87 in.) exposure condition without restriction.

Limited Warranty

This product is warranted to be free from defects in workmanship and materials for up to 1 year from date of purchase. If the product fails within the warranty period, please visit feit.com/help for instructions on replacement/refund or call 866.326.BULB. REPLACEMENT OR REFUND IS YOUR SOLE REMEDY. EXCEPT TO THE EXTENT PROHIBITED BY APPLICABLE LAW, ANY IMPLIED WARRANTIES ARE LIMITED IN DURATION TO THE DURATION OF THIS WARRANTY. LIABILITY FOR INCIDENTAL OR CONSEQUENTIAL DAMAGES IS HEREBY EXPRESSLY EXCLUDED. Some states and provinces do not allow the exclusion of incidental or consequential damages, so the above limitation or exclusion may not apply to you. This warranty gives you specific legal rights, and you may also have other rights which vary from state to state or province to province.

HARDWARE INCLUDED



NOTE: Hardware not shown to actual size.



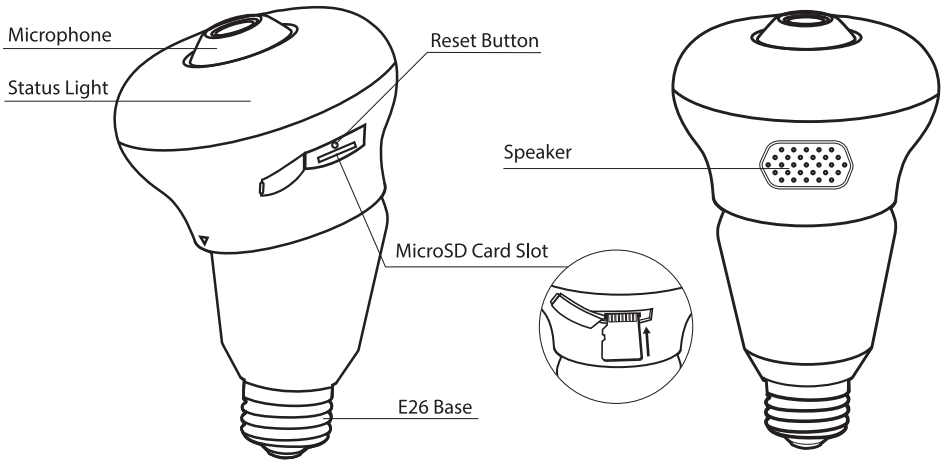
AA



BB

Part	Description	Quantity
AA	Smart Camera Bulb	1
BB	Reset Pin	1

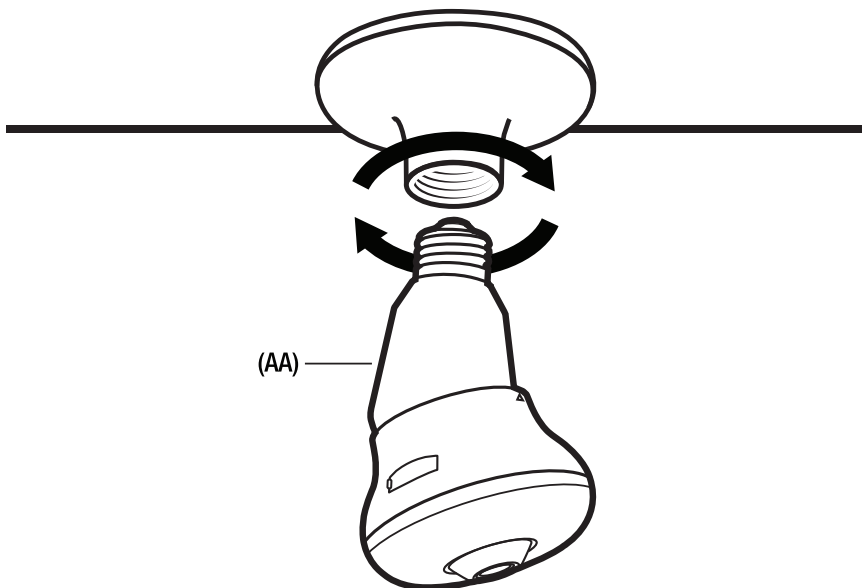
Description



Input Power: 120VAC 60Hz, 10W		
Status Light	Blinking RED = Pairing Mode Solid RED = Rebooting Blinking BLUE = No Wi-Fi Connection Solid BLUE = Connected to Wi-Fi	MircroSD Card Slot
		Reset Button
		Add a maximum 128GB MicroSD card (sold separately) to enable recording. Only supports microSD card with FAT32 format.
		Press and hold for 5 seconds with the Reset Pin (BB) to reset the camera.

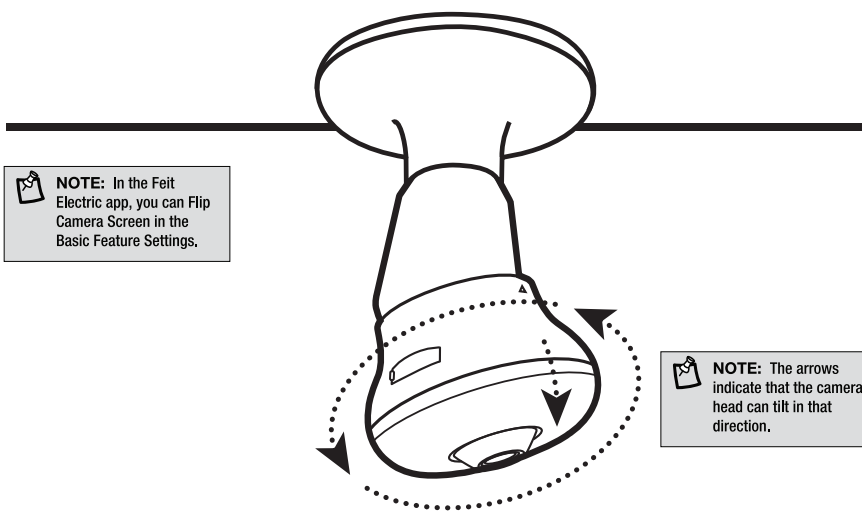
1 Installing the smart camera bulb

Turn OFF the light switch before installing. Screw in the Smart Camera Bulb (AA) clockwise into an E26 socket until it is fully secure.



2 Adjusting the smart camera bulb head angle

Turn ON the light switch. Add the device to the Feit Electric app (see the App Setup section). Carefully pan or tilt the camera head until the desired viewing angle is achieved.



Downloading and installing the Feit Electric app

- Search for the Feit Electric app in the App Store or Google Play Store.
- Download and install the Feit Electric app on your smart device.
- Connect to a 2.4GHz Wi-Fi network that covers your installation location.



Feit Electric App



Only supports
2.4GHz Wi-Fi
Networks

Setting Up the Smart Camera Bulb using the Feit Electric App

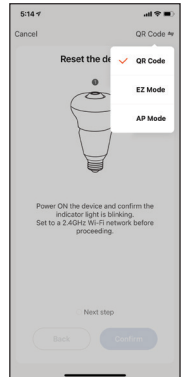
1. Check to be sure the camera is in pairing mode. The RED status light must be blinking rapidly to connect. If the light is not already blinking, press and hold the Reset Button until you hear an audible tone. Use the Feit Electric app to complete the setup.
2. Tap Add Device or the + sign. Tap Security & Camera and then select Camera. You will be prompted to enter your Wi-Fi network and password.



3. Follow the directions in the Feit Electric app to pair your device using the QR code.



4. You can find more pairing methods in the dropdown menu on the device set-up page.



Need Help?

Thank you for your purchase. Questions, comments or feedback? We'd love to hear from you. Visit [feit.com/help](https://www.feit.com/help) for support or connect with us:



@FeitElectric



@FeitElectricInc



feitelectriclighting



PROBLEM	CORRECTIVE ACTION
Camera will not connect to my Wi-Fi network	<ul style="list-style-type: none"> • Make sure the LED is blinking red. If the LED is not blinking red, press and hold Reset Button until for 5 seconds or until you hear an audible tone. • Make sure the Wi-Fi network is a 2.4GHz network. Device will not connect to a 5GHz network. • Test your Wi-Fi network with other devices such as your phone or computer to make sure it is operating properly. • The Wi-Fi connection may be out of pairing range. Use your phone to check the the Wi-Fi signal strength: it is recommended to have at least 2 signal bars showing for proper connection. • Your Wi-Fi network password is case sensitive, make sure you are entering it correctly.
The camera is offline	<ul style="list-style-type: none"> • There could be a temporary issue with your internet connection (e.g., service disruption). Please try again in a few minutes. • Make sure your Wi-Fi router is turned On. • The camera may not have power to it. Make sure the wall switch and breaker are in the On position. • Make sure the camera is getting a good signal from your Wi-Fi router. Use your phone to check Wi-Fi signal strength: it is recommended to have at least 2 signal bars showing for proper connection. • The camera may have been disconnected from your Wi-Fi network. Press and hold the Reset Button until you see a blinking red LED and hear an audible tone. Follow directions in the App Setup section of the manual to re-connect the camera to your Wi-Fi network.
What do the blinking LEDs mean?	<p>Blinking RED = Pairing Mode Solid RED = Rebooting Blinking BLUE = No Wi-Fi Connection Solid BLUE = Connected to Wi-Fi</p>
Live video stream is slow to load	<p>Camera streaming issues may be caused by any of the following:</p> <ul style="list-style-type: none"> • Your phone's cellular connection, which relies on mobile coverage. • Limited internet bandwidth at home. For example, other video streaming services running at the same time on your network can cause congestion slowing down the internet upload and download speeds. • Wi-Fi reception may not be stable or work reliably if the camera's Wi-Fi signal strength is less than 2 signal bars. You may need to install a Wi-Fi repeater or extender to boost the Wi-Fi signal.
How do I reset the camera to reenter pairing mode?	<ul style="list-style-type: none"> • Press and hold Reset Button until you see a blinking red LED and hear an audible tone.
The camera is not recording	<ul style="list-style-type: none"> • Under the SD Card and Record Settings in the Feit Electric app, make sure the Record Switch is turned On. • Make sure that the MicroSD Card is installed correctly. To confirm that the camera is recognizing the MicroSD Card, go to the Settings menu in the Feit Electric app. Then, go to the SD Card and Record Settings menu and make sure the MicroSD Card capacity menu shows total, used, and free space. If this does not appear, consider reformatting the MicroSD Card. <p>WARNING: Reformatting MicroSD Card will delete all videos stored on card. Please go through the troubleshooting section before doing so or contact our Customer Support Team.</p>
How do I set the camera to Event or Continuous Recording?	<ul style="list-style-type: none"> • In the Settings menu under SD Card and Record Settings make sure Record Switch is turned On, and then select Event Recording or Continuous Recording.
How can I check the available space on the MicroSD Card?	<ul style="list-style-type: none"> • In the Settings menu under SD Card and Record Settings, you will see Used Space and Free Space. <p>Note: Camera only supports 128GB or less MicroSD Cards with FAT32 format.</p>
What happens when the MicroSD Card reaches full capacity?	<ul style="list-style-type: none"> • Once the MicroSD Card reaches full capacity, new videos will start rewriting (deleting) over the oldest videos.
Can I use a new MicroSD Card if I do not want to record over existing videos?	<ul style="list-style-type: none"> • Yes, you can use a new MicroSD Card if you do not want to record over existing videos. Remove the existing MicroSD Card from the side of the camera and replace a new one not exceeding 128GB capacity. Once this is completed, format the new MicroSD Card by going to the SD Card and Record Settings and pressing Format SD Card, then Confirm. <p>WARNING: Reformatting MicroSD Card will delete all videos stored on card. Please go through the troubleshooting section before doing so or contact our Customer Support Team.</p>