

## PST POST TOP AREA LIGHT CCT3

### DESCRIPTION

naturaLED® has designed a sleek, contemporary post top fixture with three vertical arm that creates a clean look. Easy installation to retrofit on standard 2-3/8" tenons. Saving time and money by upgrading to LED. Our DLC premium open round post top light fixture replaces up to 400 watt metal halide fixtures and produces up to 13,000 lumens.

### BENEFITS

Sleek, contemporary design eliminates light trespass to avoid light pollution in the night sky.



Dusk to Dawn Photocell Sensor  
Adjustable Wattage and CCT

### APPLICATIONS

Corporate Campus, Education, Healthcare, Parking Structure, Parks, Hospitalsities, Walkways, Commercial office buildings, Landscape lighting may come into use

**Rated Life 50,000 Hours**  
**Warranty 5 Years**

### FEATURES

- DLC Premium
- IP65 Rated
- ETL Listed
- Selectable Wattages (3 Wattages)
- Selectable Color Temperature (3000K, 4000K, 5000K)
- Voltage: 120-277V
- Power Factor >0.9
- Surge Protection: 4KV
- Beam Angle: 110°
- Dimmable: 0-10V
- CRI: 80
- Operating temperature: - 40°F - 122°F
- Built-in photocell sensor (turn on and off)
- Mounting: Fits 2-3/8" Tenon
- Recommended Mounting Height: 8-15ft
- Glass Lens
- Color: Black
- 5 Year Warranty
- Optional for Purchase: Surge Protector

### ACCESSORIES

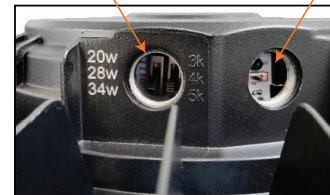


Surge Protector

### PHOTO SENSOR & SELECTABLE

Selectable  
Wattage & CCT

Dusk to Dawn  
Photocell Sensor  
On/Off Switch



**SAMPLE NUMBER** FX15PST100SW/8CCT3/BK

FAMILY	DIAMETER	SERIES	WATTAGE	CRI/COLOR TEMP	COLOR
FX Fixture	15 15-inch	PST Post Top	100SW Selectable Wattage 60W/80W/100W	8CCT3 CRI 80 3000/4000/5000K	BK Black



# POST TOP AREA LIGHT CCT3

## PARKING & AREA LUMINAIRES

### ORDERING

\*P= Premium DLC / \*S = Standard DLC

Watts (W)	Ordering Code	Description	CCT (K)	Lumens (Lm)	Equiv. Wattage (W)	Dim (V)	IP65 Rated	DLC (S/P)
20	9571	FX15PST34SW/8CCT3/BK	3CCT (3/4/5K)	3,004	175	0-10V	●	P
28				4,200				
34				5,262				
60	9572	FX15PST100SW/8CCT3/BK	3CCT (3/4/5K)	8,104	250	0-10V	●	P
80				10,400				
100				13,361				

### ACCESSORIES (Ordered Separately)

#### Surge Protector



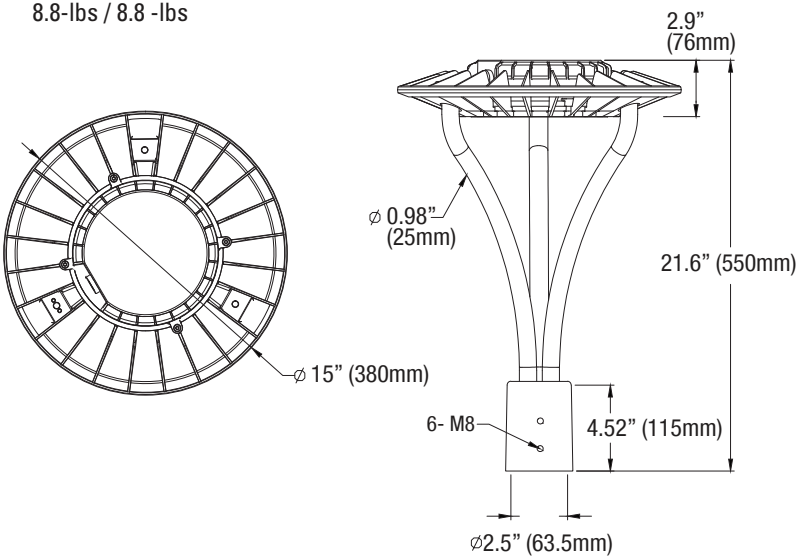
P10389 SPD-L-10KV-277  
(10KV Surge protector/ 120-277V)



P10390 SPD-L-20KV-277  
(20KV Surge protector/ 120-277V)

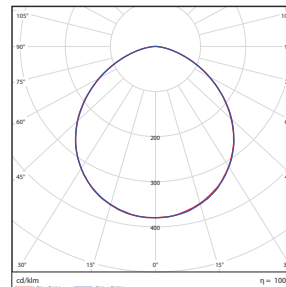
### DIMENSIONS

34W / 100W  
8.8-lbs / 8.8 -lbs

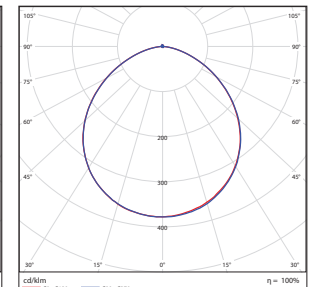


### PHOTOMETRICS CHART

20/28/34 Watt  
DLC Premium



60/80/100 Watt  
DLC Premium



### PACKAGE

Case Qty 1 pc

