



# KTEB-232-UV-IS-N-P

## T8 ELECTRONIC BALLAST

Version D1

### DESCRIPTION

2 x F32T8 | 120-277 Multi-Voltage | HPF | Instant Start



<b>STARTING METHOD:</b> Instant Start
<b>LAMP CONNECTION:</b> Parallel
<b>INPUT VOLTAGE:</b> 120-277Vac ±10%
<b>INPUT FREQUENCY:</b> 50/60 Hz
<b>POWER FACTOR:</b> High
<b>WARRANTY:</b> 5 Years



- 2014 DOE Compliant
- Sound Rated: A
- Maximum Case Temperature: 167°F, 75°C
- Meets FCC Part 18 (Class A) Non-Consumer Limits
- Meets ANSI Standard C82.11 and C62.41
- Max. Output Voltage: 600V
- Max. Voltage to Ground: 600V
- UL, cUL Listed Class P, Type 1 Outdoor
- Anti-Striation Circuitry
- Type HL

### ELECTRICAL SPECIFICATIONS

LAMP TYPE	NO. OF LAMPS	INPUT VOLTS	INPUT WATTS	NOMINAL LINE AMPS	POWER FACTOR	BALLAST FACTOR	BALLAST EFFICACY FACTOR	MAX THD (%)	CREST FACTOR	MIN. START TEMP.	WIRING DIAGRAM
F32T8 (32W)	2	120V	54.4	0.48	>0.90	0.88	1.62	10	<1.70	0°F/-18°C	F2-4
		277V	53.5	0.21	>0.90	0.88	1.64	10	<1.70	0°F/-18°C	F2-4
	1	120V	35.2	0.29	>0.90	1.04	2.96	10	<1.70	0°F/-18°C	F1-4
		277V	35.3	0.13	>0.90	1.04	2.95	12	<1.70	0°F/-18°C	F1-4
F32T8 (30W)	2	120V	52.2	0.44	>0.90	0.88	1.69	10	<1.70	60°F/16°C	F2-4
		277V	51.7	0.20	>0.90	0.88	1.70	12	<1.70	60°F/16°C	F2-4
	1	120V	32.5	0.27	>0.90	1.04	3.20	10	<1.70	60°F/16°C	F1-4
		277V	32.4	0.12	>0.90	1.04	3.21	15	<1.70	60°F/16°C	F1-4
F32T8 (28W)	2	120V	50.2	0.43	>0.90	0.88	1.75	10	<1.70	60°F/16°C	F2-4
		277V	49.5	0.19	>0.90	0.88	1.78	12	<1.70	60°F/16°C	F2-4
	1	120V	31.0	0.26	>0.90	1.05	3.38	10	<1.70	60°F/16°C	F1-4
		277V	30.9	0.12	>0.90	1.05	3.40	15	<1.70	60°F/16°C	F1-4
F32T8 (25W)	2	120V	45.1	0.40	>0.90	0.89	1.97	10	<1.70	60°F/16°C	F2-4
		277V	44.7	0.17	>0.90	0.89	1.99	12	<1.70	60°F/16°C	F2-4
	1	120V	30.0	0.26	>0.90	1.05	3.50	10	<1.70	60°F/16°C	F1-4
		277V	30.0	0.12	>0.90	1.05	3.50	15	<1.70	60°F/16°C	F1-4
F25T8	2	120V	43.5	0.36	>0.90	0.89	2.05	10	<1.70	0°F/-18°C	F2-4
		277V	43.1	0.16	>0.90	0.89	2.06	12	<1.70	0°F/-18°C	F2-4
	1	120V	28.2	0.25	>0.90	1.05	3.72	10	<1.70	0°F/-18°C	F1-4
		277V	28.0	0.12	>0.90	1.05	3.75	15	<1.70	0°F/-18°C	F1-4
F17T8	2	120V	30.7	0.26	>0.90	0.91	2.96	10	<1.70	0°F/-18°C	F2-4
		277V	30.9	0.12	>0.90	0.91	2.94	12	<1.70	0°F/-18°C	F2-4
	1	120V	22.0	0.19	>0.90	1.07	4.86	12	<1.70	0°F/-18°C	F1-4
		277V	22.0	0.09	>0.90	1.07	4.86	15	<1.70	0°F/-18°C	F1-4
F15T8	2	120V	27.0	0.23	>0.90	0.66	2.44	10	<1.70	0°F/-18°C	F2-4
		277V	27.0	0.10	>0.90	0.66	2.44	15	<1.70	0°F/-18°C	F2-4
	1	120V	18.3	0.15	>0.90	0.82	4.48	12	<1.70	0°F/-18°C	F1-4
		277V	18.7	0.07	>0.90	0.82	4.38	18	<1.70	0°F/-18°C	F1-4
F40T8	1	120V	42.7	0.36	>0.90	1.00	2.34	10	<1.70	0°F/-18°C	F1-4
		277V	42.3	0.16	>0.90	1.00	2.36	15	<1.70	0°F/-18°C	F1-4
PLL 25W	2	120V	48.5	0.41	>0.90	0.90	1.86	10	<1.70	0°F/-18°C	P2-3
		277V	48.0	0.18	>0.90	0.90	1.88	12	<1.70	0°F/-18°C	P2-3
	1	120V	30.9	0.26	>0.90	1.02	3.30	10	<1.70	0°F/-18°C	P2-3
		277V	30.9	0.12	>0.90	1.02	3.30	15	<1.70	0°F/-18°C	P2-3



# KTEB-232-UV-IS-N-P

## T8 ELECTRONIC BALLAST

Version D1

### ELECTRICAL SPECIFICATIONS

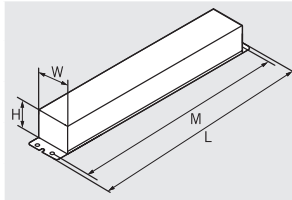
CONTINUED FROM PAGE 1

LAMP TYPE	NO. OF LAMPS	INPUT VOLTS	INPUT WATTS	NOMINAL LINE AMPS	POWER FACTOR	BALLAST FACTOR	BALLAST EFFICACY FACTOR	MAX THD (%)	CREST FACTOR	MIN. START TEMP.	WIRING DIAGRAM
PLL 28W	2	120V	56.2	0.47	>0.90	0.93	1.65	10	<1.70	0°F/-18°C	P2-3
		277V	56.0	0.21	>0.90	0.93	1.66	12	<1.70	0°F/-18°C	P2-3
	1	120V	35.9	0.31	>0.90	1.09	3.04	10	<1.70	0°F/-18°C	P2-3
PLL 40W	1	277V	35.9	0.13	>0.90	1.09	3.04	15	<1.70	0°F/-18°C	P2-3
		120V	38.5	0.33	>0.90	0.83	2.16	10	<1.70	0°F/-18°C	P2-3
		277V	38.2	0.14	>0.90	0.83	2.17	15	<1.70	0°F/-18°C	P2-3

Will also operate equivalent U-bend lamps.

### PHYSICAL SPECIFICATIONS

#### CASE DIMENSIONS



LENGTH	9.50"
WIDTH	1.30"
HEIGHT	1.18"
MOUNTING	9.00"
CASE STYLE	L4

#### STANDARD LEAD LENGTHS\*

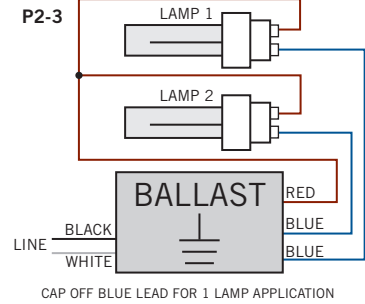
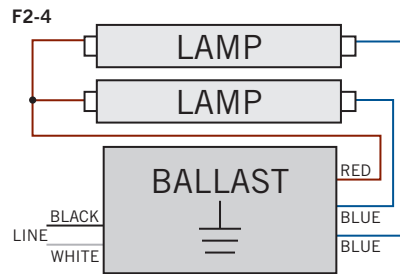
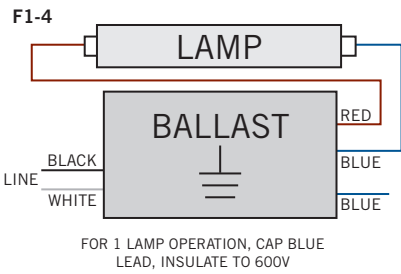
BLACK	25"
WHITE	25"
BLUE	31"
RED	45"

Lead wires are 18 AWG  
105°C/600V, solid copper.

**CASE MATERIAL:** Steel

\*Consult Keystone for special lead length requirements.

### WIRING DIAGRAMS



Instant start T8 ballasts require the use of either shunted sockets or a sockets with a manual wire shunt (or "bridge").

### ORDERING INFORMATION

ORDER CODE	PACKAGING STYLE	PACK QTY.	ITEM STATUS
KTEB-232-UV-IS-N-P-DP	Distributor Pack	10	Quick Ship
KTEB-232-UV-IS-N-P-CP	Carton Pack	10	Active

**NOTE:** Version D1 (Manufacturing Revision). Prior versions of this ballast exist. Spec sheets for prior versions available upon request. Contact Keystone for details.

### CATALOG NUMBER BREAKDOWN

# KTEB-232-UV-IS-N-P-DP

Keystone Technologies Electronic Ballast	2 Lamp	Wattage	Universal Voltage	Instant Start	Normal Ballast Factor	Premium Series	Packaging Style
---------------------------------------------	-----------	---------	----------------------	------------------	-----------------------------	-------------------	--------------------