

4 x F32T8 | 120-277V Input | High Power Factor | Instant Start

STARTING METHOD: Instant Start
LAMP CONNECTION: Parallel
INPUT VOLTAGE: 120-277VAC ±10%
INPUT FREQUENCY: 50/60 Hz
POWER FACTOR: High
WARRANTY: 5 Years



PRODUCT FEATURES

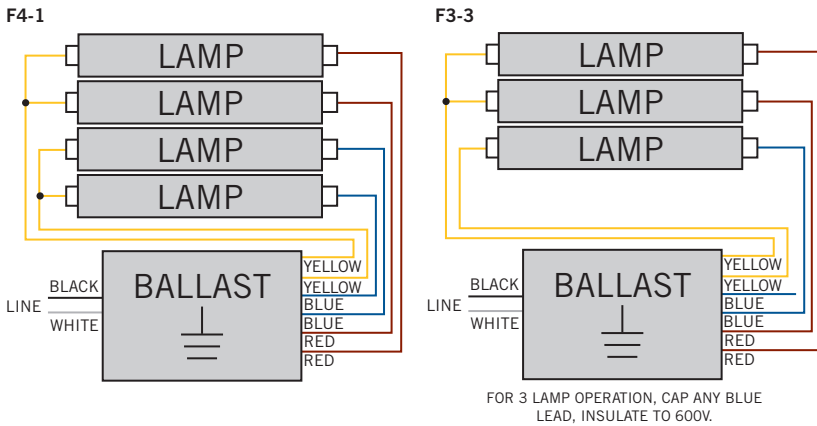
- 2014 DOE Compliant
- Sound Rated: A
- Maximum Case Temperature: 167°F, 75°C
- Meets FCC Part 18 (Class A) Non-Consumer Limits
- Meets ANSI Standard C82.11-2002 and C62.41-2002
- UL, cUL Listed, Class P, Type 1 Outdoor
- OCV: 600V
- Anti-Striation Circuitry
- Type HL

ELECTRICAL SPECIFICATIONS

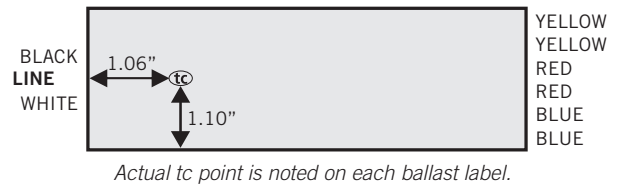
LAMP TYPE	NO. OF LAMPS	INPUT VOLTS	INPUT WATTS	INPUT CURRENT (AMPS)	POWER FACTOR	CREST FACTOR	BALLAST FACTOR	BALLAST EFFICACY FACTOR	MAX THD (%)	MIN. START TEMP (°F/°C)	WIRING DIAGRAM
F32T8 (32W)	4	120	112	0.93	≥0.98	≤1.70	0.88	0.80	10	0/-18	F4-1
		277	108	0.40	≥0.98	≤1.70	0.88	0.81	10	0/-18	F4-1
	3	120	92	0.77	≥0.98	≤1.70	0.96	1.04	10	0/-18	F3-3
		277	89	0.34	≥0.98	≤1.70	0.96	1.07	10	0/-18	F3-3
F32T8 (30W)	4	120	101	0.85	≥0.98	≤1.70	0.88	0.87	10	0/-18	F4-1
		277	100	0.37	≥0.98	≤1.70	0.88	0.88	10	0/-18	F4-1
	3	120	84	0.71	≥0.98	≤1.70	0.96	1.14	10	0/-18	F3-3
		277	84	0.31	≥0.98	≤1.70	0.96	1.15	10	0/-18	F3-3
F32T8 (28W)	4	120	94	0.79	≥0.98	≤1.70	0.88	0.93	10	0/-18	F4-1
		277	94	0.35	≥0.98	≤1.70	0.88	0.93	10	0/-18	F4-1
	3	120	77	0.65	≥0.98	≤1.70	0.96	1.24	10	0/-18	F3-3
		277	77	0.29	≥0.98	≤1.70	0.96	1.25	10	0/-18	F3-3
F32T8 (25W)	4	120	88	0.74	≥0.98	≤1.70	0.88	1.00	10	0/-18	F4-1
		277	88	0.33	≥0.98	≤1.70	0.88	1.00	10	0/-18	F4-1
	3	120	74	0.62	≥0.98	≤1.70	0.96	1.29	10	0/-18	F3-3
		277	73	0.27	≥0.98	≤1.70	0.96	1.31	10	0/-18	F3-3
F25T8	4	120	87	0.72	≥0.98	≤1.70	0.89	1.02	10	0/-18	F4-1
		277	85	0.32	≥0.98	≤1.70	0.89	1.05	10	0/-18	F4-1
	3	120	72	0.60	≥0.98	≤1.70	0.96	1.33	10	0/-18	F3-3
		277	71	0.26	≥0.98	≤1.70	0.96	1.35	10	0/-18	F3-3
F17T8	4	120	59	0.49	≥0.98	≤1.70	0.93	1.57	10	0/-18	F4-1
		277	58	0.22	≥0.98	≤1.70	0.93	1.59	10	0/-18	F4-1
	3	120	50	0.41	≥0.98	≤1.70	0.92	1.86	10	0/-18	F3-3
		277	49	0.18	≥0.97	≤1.70	0.92	1.87	10	0/-18	F3-3
F40T8	3	120	114	0.95	≥0.98	≤1.70	0.96	0.84	10	32/0	F3-3
		277	109	0.41	≥0.98	≤1.70	0.96	0.88	10	32/0	F3-3

* Will also operate equivalent U-bend lamps.

WIRING DIAGRAM

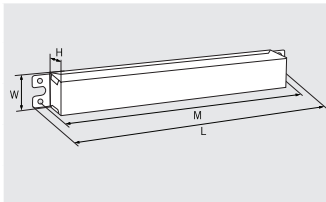


HOT SPOT LOCATION



PHYSICAL SPECIFICATIONS

CASE DIMENSIONS



LENGTH	9.50"
WIDTH	1.30"
HEIGHT	1.10"
MOUNTING	8.90"
CASE STYLE	L11

STANDARD LEAD LENGTHS*

WHITE	25"
BLACK	25"
YELLOW	46"
RED	31"
BLUE	31"

Lead wires are 18 AWG
105°C/600V, solid copper.

CASE MATERIAL: Metal

*Consult Keystone for special lead length requirements.

ORDERING INFORMATION

ORDER CODE	PACKAGING STYLE	PACK QTY.	ITEM STATUS
KTEB-432-UV-IS-N-P-DP	Distributor Pack	10	Quick Ship
KTEB-432-UV-IS-N-P-CP	Carton Pack	20	Active

NOTE: Version A1 (Manufacturing Revision). Prior versions of this ballast exist. Spec sheets for prior versions available upon request. Contact Keystone for details.

CATALOG NUMBER BREAKDOWN

KTEB-432-UV-IS-N-P-DP

