

Day-Brite

CFI

by Signify

Linear

SDS Selectable Strip

2ft, 4ft & 8ft



The SDS Selectable Strip LED from Day-Brite/CFI is an economical, lumen and CCT field selectable luminaire which can be used for commercial or residential applications.



Ordering guide

Example: SDS42448L8CST-UNV-DIM

Series	Length (nominal)	Lumens ¹ (nominal)	Color temp. (K)	Voltage	Dimming
<input type="text" value="SDS"/>			<input type="text" value="8CST"/>	<input type="text" value="UNV"/>	<input type="text" value="DIM"/>
SDS Selectable Strip LED	2 2' length	1224L 1200/1800/2400lm	8CST 80 CRI, Color Select (3500/4000/5000K)	UNV Universal voltage 120-277V	DIM 0-10V dimming
	4 4' length	2448L 2430/3640/4850lm			
	8 8' length	4998L 4900/7350/9800lm			

1. Nominal delivered lumens at 25°C ambient.

Accessories (order separately)

- **MD360** Field installable motion detector (120-277V)
 - **FKR-126** Two 5' chains and "V" hooks
 - **SV5F12** 12" White stem and canopy kit (1/4" trade size with locknuts included)
 - **SV5F18** 18" White stem and canopy kit (1/4" trade size with locknuts included)
 - **SV5F24** 24" White stem and canopy kit (1/4" trade size with locknuts included)
 - **SV5F36** 36" White stem and canopy kit (1/4" trade size with locknuts included)
 - **SV5F48** 48" White stem and canopy kit (1/4" trade size with locknuts included)
 - **DACHxx** Adjustable cable hanger kit (single)
 - **DACHxx-1-SC** Adjustable cable hanger kit with white straight 18/3 cord (single)
 - **DACHxx-2-SC** Adjustable cable hanger kit with white straight 18/4 cord (single)
 - **DACHxx-1D-SC** Adjustable cable hanger kit with white straight 18/5 cord with dimming leads (single)
- (xx=cable length in inches, enter 48" to 180" lengths in 12" increments)

Many luminaire components, such as reflectors, lenses, sockets, lampholders, and LEDs are made from various types of plastics which can be adversely affected by airborne contaminants. If sulfur based chemicals, petroleum based products, cleaning solutions, or other contaminants are expected in the intended area of use, consult factory for compatibility.

Features

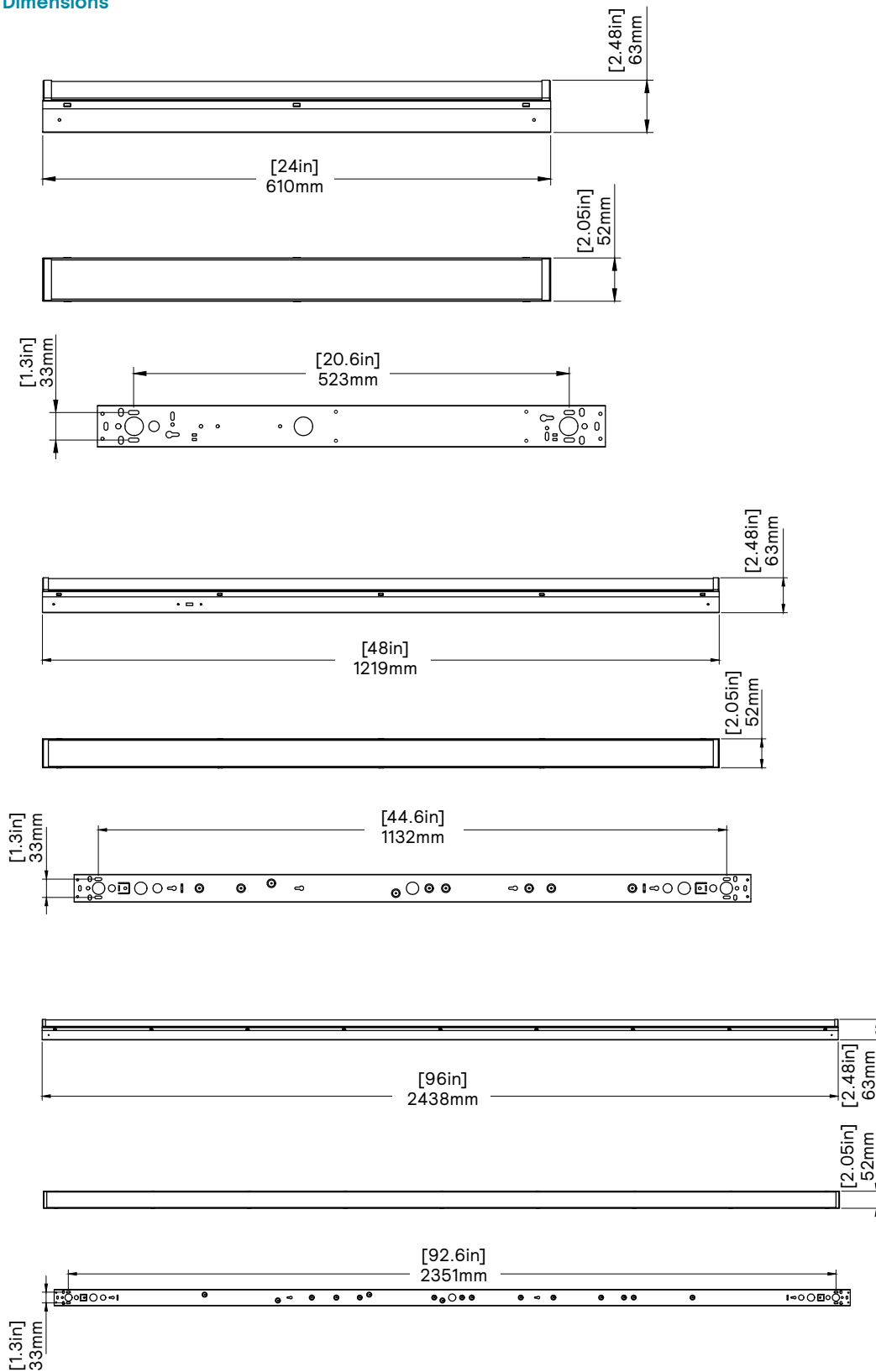
- White painted metal housing for durability.
- Frosted polycarbonate lens for even, low glare lighting.
- Field CCT and Lumen selectable.
- Safety cable between lens/LED assembly and housing for ease of service and installation.
- Easy hanging installation with holes provided in housing.
- cULus listed to meet UL 1598 standards for -20C to 40C ambient.
- Suitable for damp locations.
- L70 LED predicted lumen maintenance >50,000 hours.
- 5 year limited luminaire warranty. Visit www.signify.com/warranties for complete warranty information.
- DesignLights Consortium qualified. Please see the DLC QPL list for exact catalog numbers (www.designlights.org/QPL)



SDS Selectable Strip LED

2ft, 4ft & 8ft

Dimensions



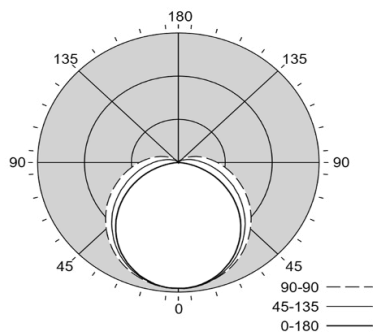
SDS Selectable Strip LED

2ft, 4ft & 8ft

Photometry

SDS21224L8CST-UNV-DIM 20W-4000K

Luminaire Lumens 2464
 Luminaire Efficacy Rating (LER) 118
 Total Luminaire Watts 21.0
 Spacing Criterion (0-180) 1.24



Candela Distribution						Flux
	0	45	90	135	180	Lumens
0	679	679	679	679	679	
5	677	680	378	377	378	64
15	651	672	658	653	649	184
25	599	657	623	608	599	279
35	526	612	571	545	527	339
45	436	547	507	468	438	359
55	332	470	437	385	333	340
65	221	385	364	296	222	290
75	110	223	292	218	112	222
85	19	154	224	151	19	153
90	1	124	194	125	1	
95	0	100	166	99	1	100
105	1	63	117	60	2	63
115	1	35	75	34	1	37
125	0	19	46	18	1	19
135	0	9	24	9	1	9
145	2	3	11	3	1	4
155	3	2	4	2	3	1
165	3	2	2	2	4	1
175	3	3	4	3	3	0
180	3	3	3	3	3	

Coefficients of Utilization (%)												
Pc--	80				70			50			0	
Pw--	70	50	30	10	70	50	30	50	30	10	0	
RCR												
0	117	117	117	117	113	113	113	106	106	106	91	
1	104	99	93	89	100	95	91	89	86	82	71	
2	94	85	77	71	90	82	75	77	71	66	58	
3	85	74	65	58	82	72	63	67	60	55	48	
4	78	65	56	49	75	63	54	59	52	46	40	
5	71	58	49	42	69	56	47	53	45	40	35	
6	66	52	43	36	63	51	42	48	40	34	30	
7	61	47	38	32	59	46	37	43	36	30	26	
8	57	43	34	28	55	42	33	40	32	27	23	
9	53	39	31	25	51	38	30	36	29	24	21	
10	50	36	28	23	48	35	28	34	27	22	19	

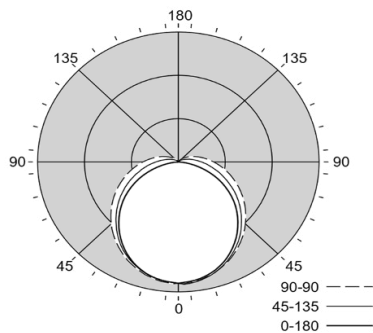
*Based on a floor reflectance of 0.2

Zonal Lumen Summary			
Zone	Lumens	%Fixture	%Lamp
0-30	527	21.4%	21.4%
0-40	866	35.1%	35.1%
0-60	1565	63.5%	63.5%
0-90	2230	90.5%	90.5%
90-130	219	8.9%	8.9%
90-150	232	9.4%	9.4%
90-180	234	9.5%	9.5%
0-180	2464	100.0%	100.0%

Avg. Luminance (cd/m²)			
	0	45	90
45	18461	14430	14195
55	16949	12911	13064
65	14868	11475	12064
75	11378	10341	11289
85	4687	9410	10843

SDS42448L8CST-UNV-DIM 40W-4000K

Luminaire Lumens 5074
 Luminaire Efficacy Rating (LER) 123
 Total Luminaire Watts 41.2
 Spacing Criterion (0-180) 1.24



Candela Distribution						Flux
	0	45	90	135	180	Lumens
0	1394	1394	1394	1394	1394	
5	1379	1406	1395	1384	1379	132
15	1326	1361	1364	1341	1325	378
25	1220	1271	1289	1255	1218	575
35	1068	1143	1184	1126	1066	699
45	889	984	1053	967	887	742
55	687	811	907	800	685	704
65	464	636	754	624	464	600
75	231	466	606	459	234	457
85	41	323	465	319	44	312
90	3	263	403	254	4	
95	3	210	343	208	3	204
105	2	127	240	127	2	127
115	2	75	158	72	1	73
125	2	41	95	38	2	38
135	2	19	53	20	3	18
145	4	9	25	8	4	8
155	6	6	9	7	6	4
165	8	7	8	7	7	2
175	8	9	9	8	9	1
180	9	9	9	9	9	

Coefficients of Utilization (%)												
Pc--	80				70			50			0	
Pw--	70	50	30	10	70	50	30	50	30	10	0	
RCR												
0	117	117	117	117	113	113	113	106	106	106	91	
1	104	99	94	89	101	96	91	90	86	82	71	
2	94	85	77	71	91	82	75	77	71	66	58	
3	86	74	65	58	82	72	64	67	61	55	48	
4	78	65	56	49	75	63	55	60	52	46	41	
5	72	58	49	42	69	56	48	53	46	40	35	
6	66	52	43	36	63	51	42	48	40	35	30	
7	61	47	38	32	59	46	37	44	36	31	27	
8	57	43	34	28	55	42	34	40	32	27	24	
9	53	39	31	25	51	38	31	37	29	24	21	
10	50	36	28	23	48	35	28	34	27	22	19	

*Based on a floor reflectance of 0.2

Zonal Lumen Summary			
Zone	Lumens	%Fixture	%Lamp
0-30	1085	21.4%	21.4%
0-40	1784	35.2%	35.2%
0-60	3230	63.6%	63.6%
0-90	4599	90.6%	90.6%
90-130	442	8.7%	8.7%
90-150	468	9.2%	9.2%
90-180	475	9.4%	9.4%
0-180	5074	100.0%	100.0%

Avg. Luminance (cd/m²)			
	0	45	90
45	19294	15474	14989
55	18209	13976	13795
65	16399	12525	12735
75	12889	11135	11891
85	5829	10165	11312

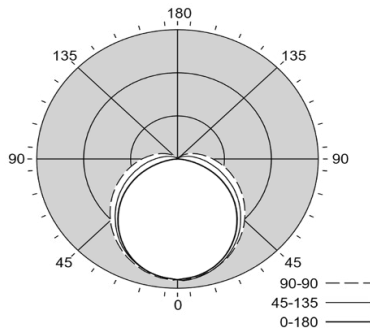
SDS Selectable Strip LED

2ft, 4ft & 8ft

Photometry (cont'd)

SDS84998L8CST-UNV-DIM 80W-4000K

Luminaire Lumens	9407
Luminaire Efficacy Rating (LER)	119
Total Luminaire Watts	78.9
Spacing Criterion (0-180)	1.24



	Candela Distribution					Flux
	0	45	90	135	180	Lumens
0	2584	2584	2584	2584	2584	
5	2557	2607	2587	2566	2556	244
15	2459	2524	2529	2485	2457	701
25	2261	2357	2390	2327	2257	1066
35	1980	2120	2196	2088	1976	1297
45	1647	1824	1951	1793	1645	1375
55	1274	1504	1681	1483	1270	1304
65	859	1178	1399	1157	860	1113
75	429	865	1123	851	433	847
85	76	599	862	591	81	580
90	6	488	746	472	7	
95	6	390	635	386	6	378
105	3	236	444	235	3	235
115	4	139	293	134	2	136
125	4	75	177	70	4	71
135	4	35	98	37	6	34
145	7	16	47	15	8	14
155	10	12	16	12	10	7
165	15	12	15	12	13	4
175	15	16	16	15	16	1
180	16	16	16	16	16	

Coefficients of Utilization (%)											
Pc--	80				70			50			0
Pw--	70	50	30	10	70	50	30	50	30	10	0
RCR											
0	117	117	117	117	113	113	113	106	106	106	91
1	104	99	94	89	101	96	91	90	86	82	71
2	94	85	77	71	91	82	75	77	71	66	58
3	86	74	65	58	82	72	64	67	61	55	48
4	78	65	56	49	75	63	55	60	52	46	41
5	72	58	49	42	69	56	48	53	46	40	35
6	66	52	43	36	63	51	42	48	40	35	30
7	61	47	38	32	59	46	37	44	36	31	27
8	57	43	34	28	55	42	34	40	32	27	24
9	53	39	31	25	51	38	31	37	29	24	21
10	50	36	28	23	48	35	28	34	27	22	19

*Based on a floor reflectance of 0.2

Zonal Lumen Summary			
Zone	Lumens	%Fixture	%Lamp
0-30	2011	21.4%	21.4%
0-40	3308	35.2%	35.2%
0-60	5987	63.6%	63.6%
0-90	8527	90.6%	90.6%
90-130	820	8.7%	8.7%
90-150	868	9.2%	9.2%
90-180	880	9.4%	9.4%
0-180	9407	100.0%	100.0%

Avg. Luminance (cd/m²)			
	0	45	90
45	19294	15474	14989
55	18209	13976	13795
65	16399	12525	12735
75	12889	11135	11891
85	5829	10165	11312

Photometric Test List

Catalog No.	Size	Delivered Lumens			Input Watts			Efficacy		
		3500K	4000K	5000K	3500K	4000K	5000K	3500K	4000K	5000K
SDS21224L8CST-UNV-DIM 10W	2'	1315	1313	1310	11.0	11.0	11.0	119.5	119.4	119.1
SDS21224L8CST-UNV-DIM 15W	2'	1888	1888	1889	16.0	16.0	16.0	118.0	118.0	118.1
SDS21224L8CST-UNV-DIM 20W	2'	2460	2464	2467	21.0	21.0	21.0	117.1	117.3	117.5
SDS42448L8CST-UNV-DIM 20W	4'	2663	2681	2699	20.7	20.9	20.9	128.6	128.3	129.1
SDS42448L8CST-UNV-DIM 30W	4'	3850	3878	3902	30.9	31.0	31.1	124.6	125.1	125.5
SDS42448L8CST-UNV-DIM 40W	4'	5036	5074	5112	41.0	41.2	41.4	122.8	123.2	123.5
SDS84998L8CST-UNV-DIM 40W	8'	4903	4936	4969	39.9	39.9	39.9	122.9	123.7	124.5
SDS84998L8CST-UNV-DIM 60W	8'	7164	7213	7261	59.3	59.3	59.3	120.8	121.6	122.4
SDS84998L8CST-UNV-DIM 80W	8'	9337	9407	9477	78.9	78.9	78.9	118.3	119.2	120.1



© 2021 Signify Holding. All rights reserved. The information provided herein is subject to change, without notice. Signify does not give any representation or warranty as to the accuracy or completeness of the information included herein and shall not be liable for any action in reliance thereon. The information presented in this document is not intended as any commercial offer and does not form part of any quotation or contract, unless otherwise agreed by Signify.

Signify North America Corporation
200 Franklin Square Drive,
Somerset, NJ 08873
Telephone 855-486-2216

Signify Canada Ltd.
281 Hillmount Road,
Markham, ON, Canada L6C 2S3
Telephone 800-668-9008

All trademarks are owned by Signify Holding or their respective owners.