

KTEB-332-UV-IS-N-P

T8 ELECTRONIC BALLAST

Version D1

DESCRIPTION

3 x F32T8 | 120-277 Multi-Voltage | High Power Factor | Instant Start



STARTING METHOD: Instant Start
LAMP CONNECTION: Parallel
INPUT VOLTAGE: 120-277Vac ±10%
INPUT FREQUENCY: 50/60 Hz
POWER FACTOR: High
WARRANTY: 5 Years



- 2014 DOE Compliant
- Sound Rated: A
- Maximum Case Temperature: 167°F, 75°C
- Meets FCC Part 18 (Class A) Non-Consumer Limits
- Meets ANSI Standard C82.11 and C62.41
- Max. Output Voltage: 600V
- Max. Voltage to Ground: 600V
- UL, cUL Listed Class P, Type 1 Outdoor
- Anti-Striation Circuitry
- Type HL

ELECTRICAL SPECIFICATIONS

LAMP TYPE	NO. OF LAMPS	INPUT VOLTS	INPUT WATTS	NOMINAL LINE AMPS	POWER FACTOR	BALLAST FACTOR	BALLAST EFFICACY FACTOR	MAX THD (%)	CREST FACTOR	MIN. START TEMP.	WIRING DIAGRAM
F32T8 (32W)	3	120V	83.6	0.73	>0.90	0.88	1.05	10	<1.70	0°F/-18°C	F3-2
	2	277V	82.6	0.30	>0.90	0.88	1.07	10	<1.70	0°F/-18°C	F3-2
F32T8 (30W)		3	120V	62.5	0.53	>0.90	1.03	1.65	10	<1.70	0°F/-18°C
	277V		61.6	0.23	>0.90	1.03	1.67	10	<1.70	0°F/-18°C	F2-5
	2	120V	76.6	0.64	>0.90	0.88	1.15	10	<1.70	60°F/16°C	F3-2
		277V	76.1	0.28	>0.90	0.88	1.16	12	<1.70	60°F/16°C	F3-2
F32T8 (28W)	3	120V	58.9	0.50	>0.90	1.03	1.75	10	<1.70	60°F/16°C	F2-5
		277V	58.2	0.22	>0.90	1.03	1.77	12	<1.70	60°F/16°C	F2-5
	2	120V	74.9	0.60	>0.90	0.88	1.17	10	<1.70	60°F/16°C	F3-2
		277V	73.5	0.26	>0.90	0.88	1.20	10	<1.70	60°F/16°C	F3-2
F32T8 (25W)	3	120V	57.0	0.48	>0.90	1.03	1.81	10	<1.70	60°F/16°C	F2-5
		277V	56.4	0.21	>0.90	1.03	1.83	10	<1.70	60°F/16°C	F2-5
	2	120V	63.7	0.57	>0.90	0.88	1.38	10	<1.70	60°F/16°C	F3-2
		277V	62.8	0.25	>0.90	0.88	1.40	12	<1.70	60°F/16°C	F3-2
F25T8	3	120V	52.6	0.44	>0.90	1.04	1.98	10	<1.70	60°F/16°C	F2-5
		277V	52.4	0.20	>0.90	1.04	1.98	12	<1.70	60°F/16°C	F2-5
	2	120V	63.7	0.55	>0.90	0.89	1.40	10	<1.70	0°F/-18°C	F3-2
		277V	62.8	0.23	>0.90	0.89	1.42	12	<1.70	0°F/-18°C	F3-2
F17T8	3	120V	48.2	0.40	>0.90	1.05	2.18	10	<1.70	0°F/-18°C	F2-5
		277V	47.8	0.18	>0.90	1.05	2.20	12	<1.70	0°F/-18°C	F2-5
	2	120V	45.6	0.38	>0.90	0.91	2.00	10	<1.70	0°F/-18°C	F3-2
		277V	45.4	0.17	>0.90	0.91	2.00	12	<1.70	0°F/-18°C	F3-2
F40T8	3	120V	34.8	0.29	>0.90	1.07	3.07	10	<1.70	0°F/-18°C	F2-5
		277V	35.0	0.14	>0.90	1.07	3.06	12	<1.70	0°F/-18°C	F2-5
	2	120V	77.3	0.66	>0.90	0.97	1.33	10	<1.70	0°F/-18°C	F2-5
		277V	76.6	0.28	>0.90	0.97	1.27	12	<1.70	0°F/-18°C	F2-5
PLL 25W	3	120V	72.5	0.61	>0.90	0.86	1.19	10	<1.70	0°F/-18°C	P3-1
		277V	71.9	0.26	>0.90	0.86	1.20	12	<1.70	0°F/-18°C	P3-1
	2	120V	54.7	0.46	>0.90	1.01	1.85	10	<1.70	0°F/-18°C	P3-1
		277V	54.1	0.20	>0.90	1.01	1.87	12	<1.70	0°F/-18°C	P3-1
PLL 28W	3	120V	82.4	0.70	>0.90	0.92	1.11	10	<1.70	0°F/-18°C	P3-1
		277V	80.5	0.29	>0.90	0.92	1.14	12	<1.70	0°F/-18°C	P3-1
	2	120V	64.3	0.54	>0.90	1.05	1.63	10	<1.70	0°F/-18°C	P3-1
		277V	63.3	0.23	>0.90	1.05	1.66	12	<1.70	0°F/-18°C	P3-1
PLL 40W	2	120V	68.1	0.57	>0.90	0.74	1.09	10	<1.70	0°F/-18°C	P3-1
		277V	67.4	0.24	>0.90	0.74	1.10	12	<1.70	0°F/-18°C	P3-1

Will also operate equivalent U-bend lamps.



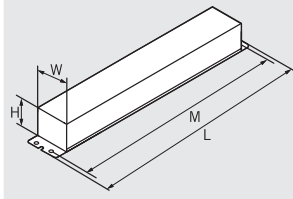
KTEB-332-UV-IS-N-P

T8 ELECTRONIC BALLAST

Version D1

PHYSICAL SPECIFICATIONS

CASE DIMENSIONS



LENGTH	9.50"
WIDTH	1.30"
HEIGHT	1.18"
MOUNTING	9.00"
CASE STYLE	L4

STANDARD LEAD LENGTHS*

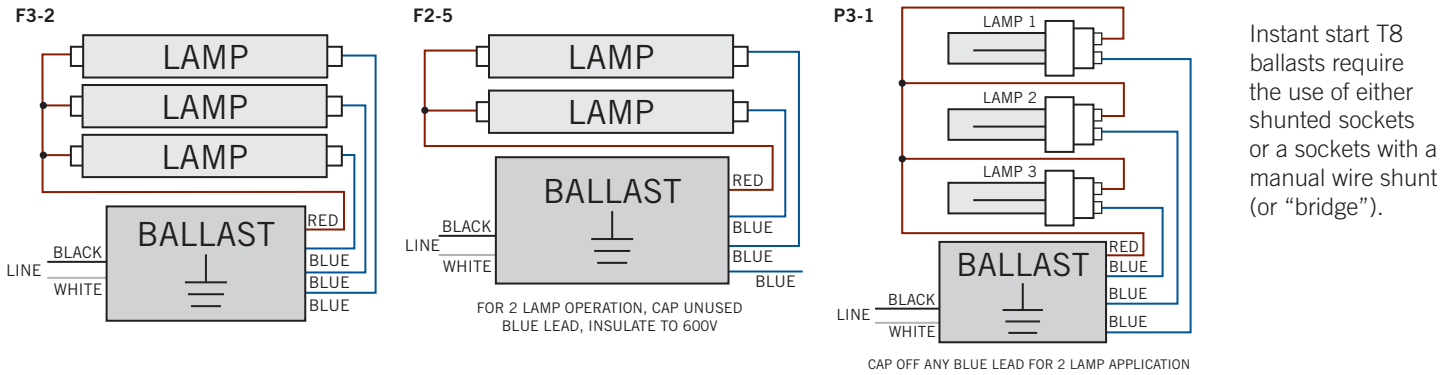
BLACK	25"
WHITE	25"
BLUE	31"
RED	37"

Lead wires are 18 AWG
105°C/600V, solid copper.

CASE MATERIAL: Steel

*Consult Keystone for special lead length requirements.

WIRING DIAGRAMS



ORDERING INFORMATION

ORDER CODE	PACKAGING STYLE	PACK QTY.	ITEM STATUS
KTEB-332-UV-IS-N-P-DP	Distributor Pack	10	Quick Ship
KTEB-332-UV-IS-N-P-CP	Carton Pack	10	Active

NOTE: Version D1 (Manufacturing Revision). Prior versions of this ballast exist. Spec sheets for prior versions available upon request. Contact Keystone for details.

CATALOG NUMBER BREAKDOWN

