

MaxLite® Slim Downlight Baffle Style - Rough In Template



Installation Instructions

NOTE: Power off the main fuse or circuit breaker box before installation.

NOTE: Rough in template to be used in drywall ceilings.

- 1.) Remove the knock-out (matching the fixture) using pliers. **(Fig 1.)**
- 2.) Place the cutting template on the ceiling to draw the outline of the hole **(Fig 2.)**
- 3.) Use a drill to cut out the hole **(Fig 3.)**
- 4.) Remove the ceiling from the keel and fix it with Tapping screws after the rough in template is positioned to match the mounting hole in the ceiling. **(Fig 4.)**
- 5.) Position the luminaire into the fixture hole. For the Slim downlights Series, secure the remote driver box onto the rough in template by raising the tabs as shown on the image and locating the driver as instructed on the sticker. **(Fig 5.)**

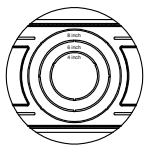


Fig. 1

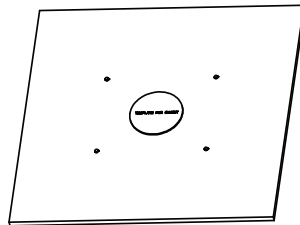


Fig. 2

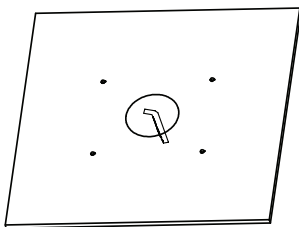


Fig. 3

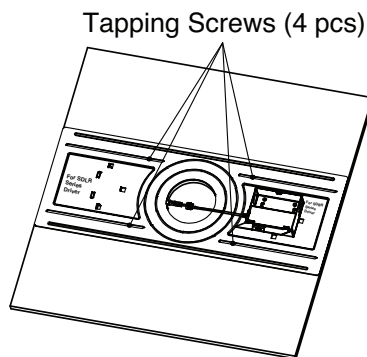


Fig. 4

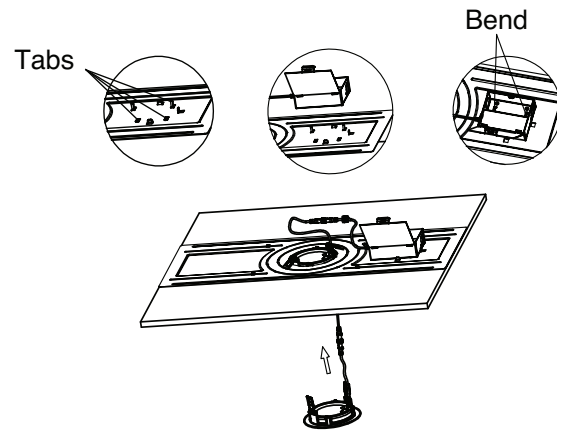
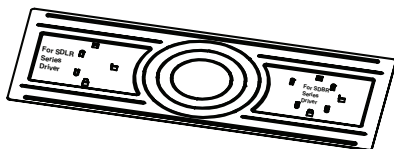


Fig. 5

Included Parts



A) Rough in template



B) Screws