

2-Stage Electronic Unit Heater KB ECO2S+ Series



Model Code:

KB 24 04 -1 -ECO2S-PLUS -FB
A B C D E F

A: Series
B: 20 - 208V, 24 - 240/208V
C: kiloWatts (4 - 15)
D: -1 = Single Phase
E: ECO2S-PLUS = Electronic Control + Remote Sensor
F: Fuse Block



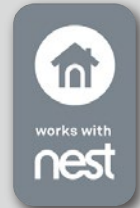
- Smart ECO2S design
- 2-Stage heating
- Remote temperature sensor
- Hand held remote & wall holder
- Built-In provision for optional 24V remote thermostat
- Compatible with NEST / any 24V WIFI stat
- Timer & Summer Fan Only Modes
- Auto Memory Feature: returns units to last settings after power outage
- Built-In fan delay to dissipate heat
- High mass steel fin heat exchanger
- Patented Smart Limit® Protection
- Permanent Lubricated Unit Bearing Motor
- Universal Wall/Ceiling Bracket Included
- 5-Year Limited Warranty

ECO2S+ 2-Stage Electronic Garage Heater with IR Remote Control

The ECO2S+ KB series unit heaters offers unparalleled performance, energy efficiency and user control by incorporating another King innovation, the in-built ECO2S+ electronic thermostat with remote control. Offering energy efficient 2-stage heating, with Eco mode that automatically uses the lowest wattage needed to heat the room, integrated fan only and timer modes, as well as a remote control for simple operation. With the ECO2S+ Remote Temperature Sensor, your ECO2S+ heater knows exactly where the room's cold spot is and works smarter to keep the entire room comfortable. Just place it on a wall or shelf and get the right temperature, right where you want it. Comes standard with a provision for adding an optional 24V thermostat for remote temperature control. Combined with integrated summer fan only and thermostat timer modes, the KB ECO2S+ has you covered....Designed for use as primary or supplemental heat sources in warehouses, stores or large garages spaces. Spiral steel elements and high CFM ensure even air distribution producing cooler element operation which prolongs the life of the heater. By combining the highest quality components, with a dynamically balanced fan blade, the KB ECO2S+ unit heater will provide years of trouble-free service and keep heating bills to a minimum. Includes universal wall/ceiling bracket for simple installation.

ECO2S+ Electronic Controller Features:

- Electronic control for accuracy
- Energy-saving automatic 2-stage heating
- Large LED display
- Remote control and wall bracket included
- Thermostat timer mode (1-9 Hours)
- Fan Only mode
- Built-In fan delay
- Built-In provision for optional 24V remote thermostat
- Compatible with NEST / any 24V WIFI Stat



or Any 24V
WIFI Stat

Meet the eco2s+ Sensor



Balanced Heat
Throughout the Space



Comfort, Right
Where You Want It



Remote
Temperature Sensing



2-Stage Electronic Unit Heater KB ECO2S+ Series

Ordering Information - single phase

	MODEL	UPC	KW	BTUH (000)	PHASE	VOLTS	AMPS	MOTOR HP	CFM	TEMP. RISE	AIR THROW	MAX. MOUNT HEIGHT	*SIZE	WT. (lbs.)
208V	KB2004-1-ECO2S-PLUS	33236	4	13.5	1	208	19.2	16W**	520	24°F	15ft.	8ft.	B	30.5
	KB2005-1-ECO2S-PLUS	33238	5	17	1	208	24.0	16W**	520	30°F	15ft.	8ft.	B	30.5
	KB2007-1-ECO2S-PLUS	33240	7.5	25.6	1	208	36.1	25W**	690	34°F	20ft.	9ft.	B	45
	KB2010-1-ECO2S-PLUS	33242	10	34.1	1	208	48.1	35W**	800	39°F	24ft.	10ft.	B	45
	KB2012-1-ECO2S-PLUS-FB	33244	12.5	42.7	1	208	60.1	50W**	935	42°F	28ft.	11ft.	C	50
	KB2015-1-ECO2S-PLUS-FB	33246	15	51.2	1	208	72.1	50W	1050	45°F	33ft.	12ft.	C	50
240V	KB2404-1-ECO2S-PLUS	33237	4	13.5	1	240/208*	16.6/14.4	9W	520	24°F	15ft.	8ft.	B	30.5
	KB2405-1-ECO2S-PLUS	33239	5	17	1	240/208*	20.8/18.0	9W	520	30°F	15ft.	8ft.	B	30.5
	KB2407-1-ECO2S-PLUS	33241	7.5	25.6	1	240/208*	31.2/27.0	16W	690	34°F	20ft.	9ft.	B	45
	KB2410-1-ECO2S-PLUS	33243	10	34.1	1	240/208*	41.6/36.1	16W	800	40°F	24ft.	10ft.	B	45
	KB2412-1-ECO2S-PLUS-FB	33245	12.5	42.7	1	240/208*	52.1/45.1	35W	935	42°F	28ft.	11ft.	C	50
	KB2415-1-ECO2S-PLUS-FB	33247	15	51.2	1	240/208*	62.5/54.1	50W	1050	45°F	33ft.	12ft.	C	50

*Dual rated heaters will draw 13% less amps and 25% less wattage when operated at 208V.

**240V motor derated for 208V operation.

Replacement Accessories

MODEL	UPC	DESCRIPTION	WT. (lbs.)
ECO2S-REMOTE	33489	ECO2S Replacement Infrared Remote Control	0.1
ECO2S-REMOTE-BRACKET	33490	ECO2S Replacement Infrared Remote Control Wall Mount Bracket	.04
ECO2S-TEMP-SENSOR	33491	ECO2S+ Remote Temperature Sensor	0.1
ECO2S-5V-PWRSPLY	33167	ECO2S+ 5V DC WALL ADAPTER, Optional Accessory	0.4
KBB-2	15195	Replacement Universal Large Mounting Bracket	2.6
KBHS	13486	Replacement Hook swivel	0.3
KBHK	13487	Replacement Hardware Kit	0.1

Bracket Selection Chart

BRACKET #	HEATER KW SIZE USED WITH	BRACKET DIMENSIONS											
		L	W	H	A	B	C	D	E	F	X	Y	Z
KBB-2	4 to 15 kW (1 phase)	16 ⁷ / ₈ "	21 ⁵ / ₁₆ "	10 ¹ / ₈ "	1 ¹ / ₄ "	7"	1 ⁷ / ₈ "	1 ⁵ / ₈ "	13 ⁵ / ₈ "	1 ⁵ / ₈ "	¾"	1"	1 ¹ / ₂ "

Engineering Specifications

Contractor shall supply and install KB ECO2S+ Series garage heaters manufactured by King Electrical Mfg. Company.

Heaters shall be of the wattage and voltage as indicated on the plans.

Construction: All exterior and interior metal enclosure parts are made from 20 gauge electrogalvanized Steel with a rust inhibiting baked enamel finish. Smooth rounded corners and protective edge trim give an attractive modern appearance.

Adjustable Outlet Louver: Louvers direct air up or down as needed for the heating application. Rear Intake Screen: Heavy gauge steel screen protects against foreign objects making accidental contact with the rotating fan blade.

Spiral Fin Elements: The metal sheath element is copper brazed with spiral fins then molded into a coil configuration. This combination produces the best heat transfer while eliminating the potential for hot spots by positioning the element in the maximum airflow stream.

Totally Enclosed Fan Motor: Permanently lubricated long life unit bearing motor with 20cc of oil. Epoxy-coated motor with enclosed rotor resists moisture and corrosion for long-lasting, trouble-free operation.

Aluminum Fan Blade: 5 blade fan mounted directly to the motor shaft for maximum efficiency.

Auto-Reset Thermal Cutout: Power is disconnected from the element if an overheated condition occurs. The fan continues to run to dissipate excess heat from the element. The element is re-energized automatically when the normal operating temperature returns.

ECO2S+ Electronic Thermostat Control: Thermostat Temperature Range: 40° to 95°. Up, Down temperature mode. Automatic 2-Stage heating (High & ECO Modes). Start/Stop. Fan Only and Timer (1-9hours) Modes. Standard on all heaters.

ECO2S+ Remote Temperature Sensor: Wireless remote temperature sensing for balanced heating at the coldest spot in the room. 2.4G wireless protocol. Includes wall mounting bracket.

Auto Memory Feature: Returns Unit To Last Settings After Power Outage.

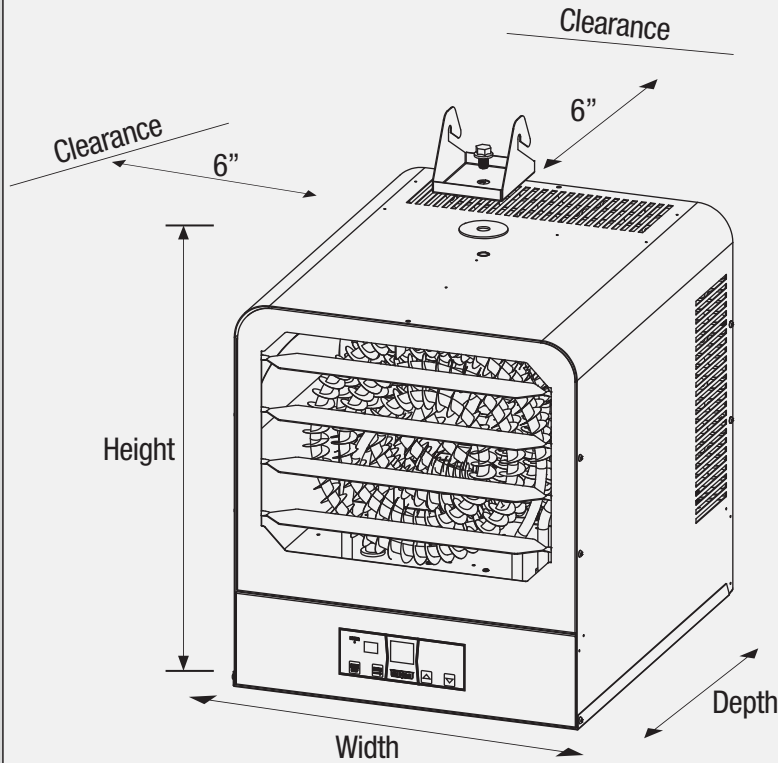
Provision For 24V Remote Thermostat: Includes terminals to connect an optional 24V 2-Stage Thermostat. Compatible with NEST / any 24V WiFi Stat.

Easy Installation: A quick access panel located on the bottom of the heater allows for quick wiring and easy maintenance for the life of the heater. Includes universal wall/ceiling bracket for simple installation.

Approvals: cULus (E41422)

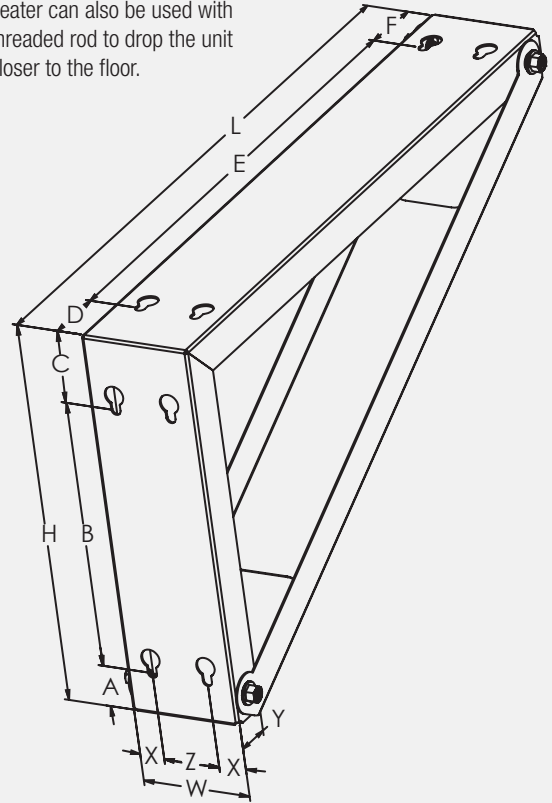
2-Stage Electronic Unit Heater KB ECO2S+ Series

Dimensional Data

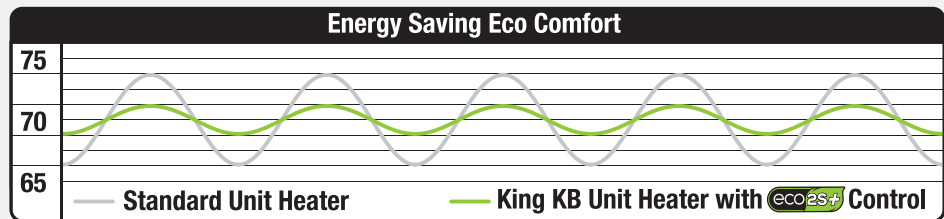


• KBB-2 Wall/Ceiling Bracket Included

Garage heater brackets can be used for mounting on ceiling or wall. 3/8" threaded hole on top of unit heater can also be used with threaded rod to drop the unit closer to the floor.



HEATER SIZE	HEIGHT	DEPTH	WIDTH
B	16.5"	13.5"	15"
C	16.5"	18"	15"



*Reduces temperature swings