

GUARDMAX EMERGENCY WALL PACK
SECR SERIES



PRODUCT DESCRIPTION:

Maxlite's GuardMax Emergency Wall Pack provides a low profile architectural design with 90 minute emergency lighting for enhanced safety. A 120V-277V photocontrol is included standard for dusk to dawn functionality.

FEATURES:

- Rugged die cast aluminum housing with corrosion resistant powder coat finish
- 15W (2 LEDs x 6W)
- 1,275 lumens in AC mode, 350 lumens in battery mode
- 120V-277V AC input
- Field-selectable wiring allows AC operation to be controlled using either a wall switch, photocell or other switching mechanism
- 120V-277V photocell included standard
- Self diagnostic function included standard
- 4.8V maintenance-free NiCad battery
- 1/2" threaded conduit at the top for surface conduit applications
- Multiple operating temperature ranges: 0°C-50°C or -30°C - 50°C

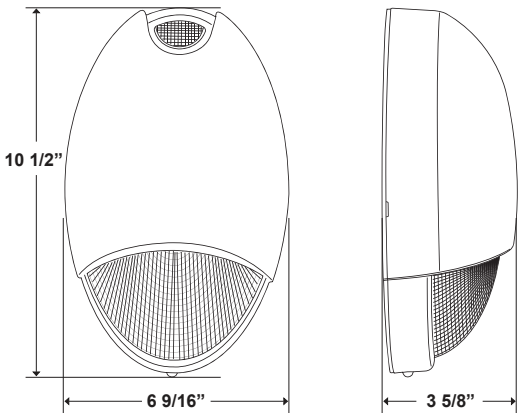
CERTIFICATIONS/CODES:

- UL924 & WL (0°C - 50°C)
- NFPA 101 Life Safety Code
- NEC
- OSHA
- CEC Available

WARRANTY:

5-year standard warranty* (further details available at www.maxlite.com/warranties)

*Product may be eligible for a warranty extension to 10 years, for an additional fee. Contact MaxLite for details



ORDERING INFORMATION:

FAMILY	CCT	FINISH*	BATTERY BACKUP	OPTION
SECR12U= GUARDMAX ROUND SECURITY WALL PACK	50= 5000K	B= DARK BRONZE	EM0= 0° BATTERY BACKUP	CEC= CEC COMPLIANT
		W= WHITE (Contact Maxlite for availability)	EM2= -20° BATTERY BACKUP	

ORDER CODES:

ORDER CODE	MODEL NUMBER	DESCRIPTION
103275	SECR12U-50BPCEM0	15W, 120-277V, 5000K, BRONZE, PHOTOCONTROL, 0 DEGREE BATTERY BACKUP
103276	SECR12U-50BPCEM2	15W, 120-277V, 5000K, BRONZE, PHOTOCONTROL, 0 DEGREE BATTERY BACKUP
108458	SECR12U-50WPCEM0	15W, 120-277V, 5000K, WHITE, PHOTOCONTROL, 0 DEGREE BATTERY BACKUP

ORDER CODE	MODEL NUMBER	DESCRIPTION
104051	SECR12U-50WPCEM2	15W, 120-277V, 5000K, WHITE, PHOTOCONTROL, -20°C DEGREE BATTERY BACKUP
108632	SECR12U-50BPCEM0CEC	15W, 120-277V, 5000K, BRONZE, PHOTOCONTROL, 0 DEGREE BATTERY BACKUP, CEC COMPLIANT
108633	SECR12U-50BPCEM2CEC	15W, 120-277V, 5000K, BRONZE, PHOTOCONTROL, 0 DEGREE BATTERY BACKUP, CEC COMPLIANT

SPECIFICATIONS:

ITEM	SPECIFICATION	DETAILS	
		SECR12U-50BPCEM0 / SECR12U-50WPCEM0	SECR12U-50BPCEM2 / SECR12U-50WPCEM2
GENERAL PERFORMANCE	Lumens Delivered (lm)	1,275lm in AC Mode, 350lm in battery mode	
	Efficacy (lm/W)	86lm/W in AC mode	
	CCT	5000K	
	Color Rendering Index (CRI)	>70	
ELECTRICAL	Input Voltage (V)	120V-277V	
	Power Factor	0.30	
	Input Power (W)	14.8W (2.8W recharge)	
PHYSICAL	Mounting	Mounts to recessed junction box	
	Operating Temperature	0°C - 50°C	-30°C - 50°C
	Lens	UV stabilized Polycarbonate lens	
	Housing	Die cast aluminum back plate and polycarbonate cover	
APPLICATION	Certification	UL924, NFPA 101 Life Safety Code, CEC Available, NEC, OSHA	
	Environment	UL WL (0°C - 50°C)	
	Warranty	5-year standard warranty*	

