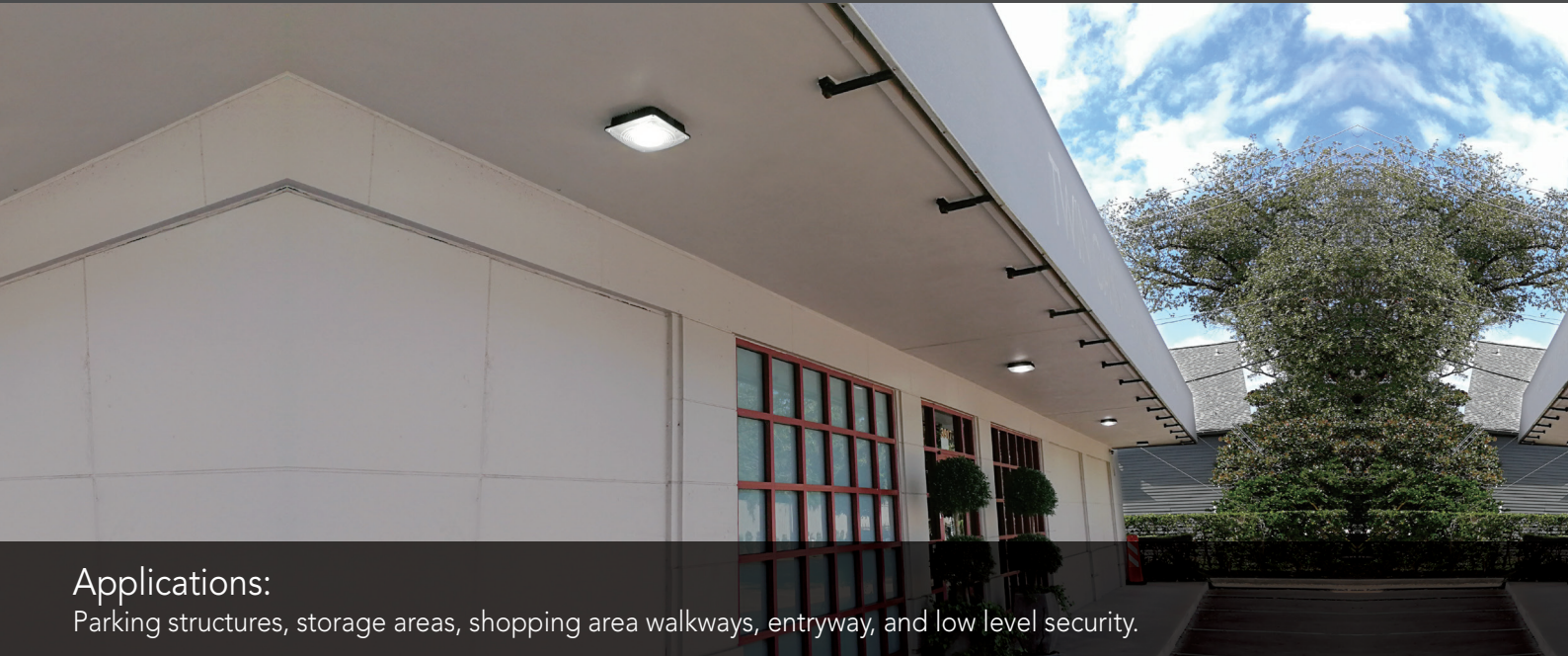


# LED CANOPY(MCP05)



## Applications:

Parking structures, storage areas, shopping area walkways, entryway, and low level security.

## Features

- Sealed die-casting profile for indoor and outdoor applications.
- Voltage is 120-277V & 347V-480V.
- Available with PIR sensor or microwave sensor and optional for emergency battery.
- Replacing 100W MH.
- Operating temperature is -40°C to 40°C(-40°F to 113°F).
- UL/cUL wet location listed and DLC qualified.

Note: DesignLights Consortium™ Qualified and classified for DLC Premium, refer to [www.designlights.org](http://www.designlights.org) for details.



### Housing

One piece die cast housing better waterproofing ,suitable for both indoor and outdoor application.



### Built in sensor

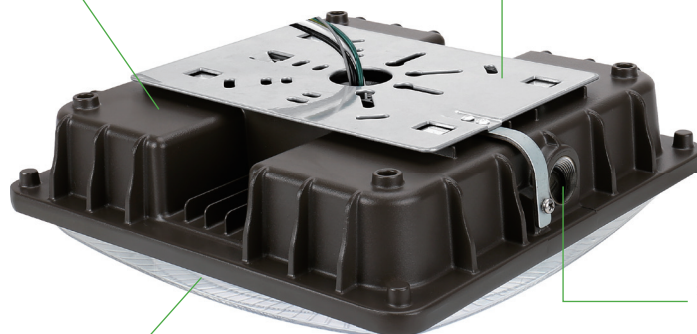
Microwave sensor, compact sized, DC input, and remote control. Optional daylight function with sensitive sensing when detect movement.

### Photometry

Parking Garage Photometry and polycarbonate optical lens with heat resisting.

### Mounting Bracket

Suitable for J-BOX mounting, and easy for installation, also support pendant mounting,wires coming out from the back for easier wire connections.



### 1/2inch knock hole

Support wires coming from the hole for easier wire connections. Optional PIRsensor and Emergency Battery.

# PERFORMANCE DATA

SYSTEM WATTS	PHOTOMETRY	VOLTAGE	LUMENS 4000K(70CRI)	LPW 4000K(70CRI)	LUMENS 5000K(70CRI)	LPW 5000K(70CRI)
27W	Parking Garage	120-277VAC	3750lm	139lm/W	3800lm	141lm/W
40W	Parking Garage	120-277VAC/347-480V	5350lm	134lm/W	5450lm	136lm/W
60W	Parking Garage	120-277VAC/347-480V	7800lm	133lm/W	8000lm	133lm/W

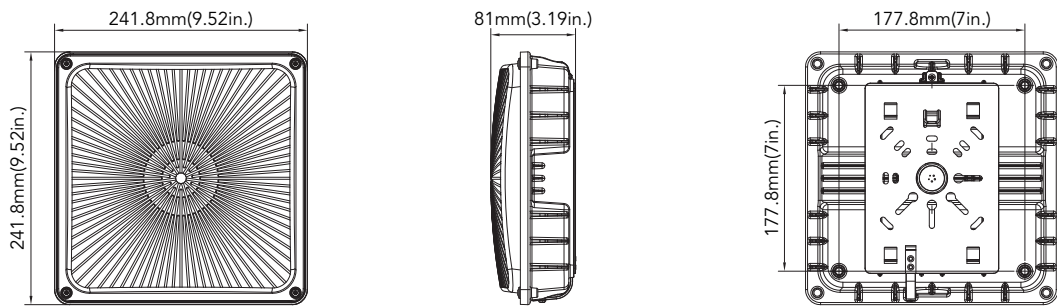
# ELECTRICAL DATA

Number Of Drivers	Driver Current (mA)	Nominal Power (W)	INPUT VOLTAGE (V)	CURRENT (Amps)
1	670	27	120	0.23
		27	208	0.13
		27	240	0.11
		27	277	0.10
1	980	40	120	0.33
		40	208	0.19
		40	240	0.17
		40	277	0.14
	1020	40	347	0.12
		40	480	0.08
1	1500	60	120	0.50
		60	208	0.29
		60	240	0.25
		60	277	0.22
	1600	60	347	0.17
		60	480	0.13

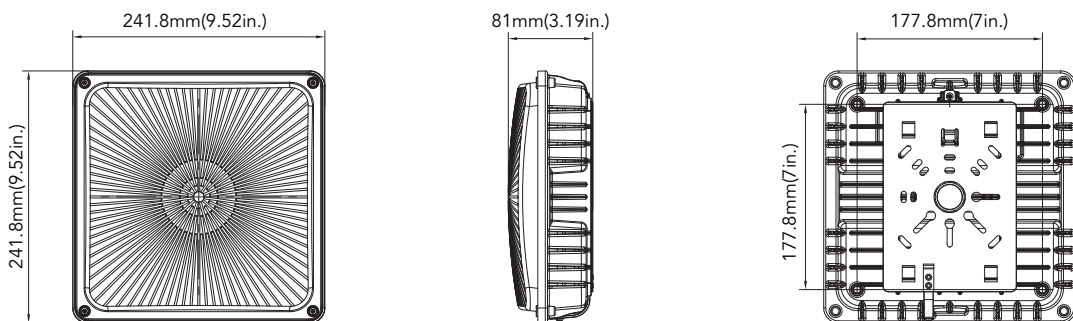
# DIMENSION

unit: inch/mm

Net Weight:  
27W: 3.615lbs  
40W: 4.166lbs

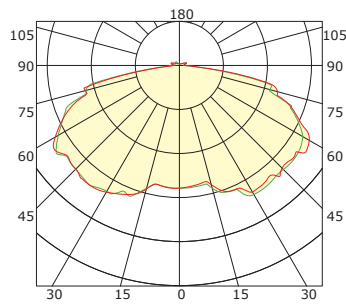


Net Weight:  
60W: 5.070lbs



# PHOTOMETRICS

Parking Garage



## ORDERING GUIDE

Example: MCP0540W27V40KDMDBU

Fixture Type	Wattage	Input Voltage	CCT	Finish	Sensor (Option)	Dimmable(Option)	Emergency Battery (Option)	Internal Code
<input type="text"/>	<input type="text"/>	<input type="text"/>	<input type="text"/>	<input type="text"/>	<input type="text"/>	<input type="text"/>	<input type="text"/>	<input type="text"/>
<b>MCP05</b> MCP Series	<b>27</b> 27W <b>40</b> 40W <b>60</b> 60W	<b>27V</b> 120-277V <b>48V</b> 347-480V	<b>40K</b> 4000K <b>50K</b> 5000K	<b>D</b> Dark Bronze <b>B</b> Black <b>W</b> White <b>SG</b> Silver Gray	<b>M</b> With Sensor <b>Blank</b> Without Sensor	<b>D</b> 1-10V Dimmable <b>Blank</b> NO Dimmable	<b>B</b> With Battery <b>Blank</b> Without Battery	<b>Blank</b> <b>Alphanumeric</b>

Note: 1. 27W are limited to 120-277V input only.  
2. Only the DIM has emergency battery options.