

SECW SECURITY WALL LIGHTS

DESCRIPTION

naturaLED® security wall lighting are suitable for wet locations with ratings of IP65. Built-in dusk to dawn photocell sensor, with easy on/off plug if sensor is not in use. Easy installation, gasketing between back plate and front prevents entry of water. Polyester powder-coated finish, rust and corrosion proof, maintenance free throughout the years of usage.



Dusk to Dawn
Photocell Sensor



Rated Life 50,000 Hours
Warranty 5 Years

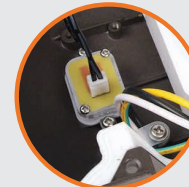
APPLICATIONS

Security, Pathway, Perimeter, Area, Wall Lighting

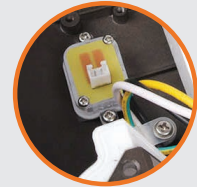
FEATURES

- DLC Premium
- IP65 Rated
- UL Listed
- ColorTemp: 4000K, 5000K
- Voltage: 120-277V
- Power Factor: >0.9
- Beam Angle: 100°
- Dimmable: 0-10V
- CRI: 80
- Operating temperature: - 4°F - 113°F
- Built-in photocell sensor (turn on and off)
- Lightweight
- Recommended 8-foot height performance
- Material: aluminum housing with PC lens
- Color: Bronze
- 5 Year Warranty

DUSK TO DAWN PHOTOCELL SENSOR



Sensor On



Sensor Off

SAMPLE NUMBER FXSECW15/840/DB/MV

FAMILY	SERIES	WATTAGE	CRI/COLOR TEMP	COLOR	VOLTAGE
FX Fixture	SECW Security Wall Light	15 15 Watt	840 CRI 80 4000K	DB Dark Bronze	MV Multiple Voltage



SECURITY WALL LIGHTS

WALL & SECURITY LUMINAIRES

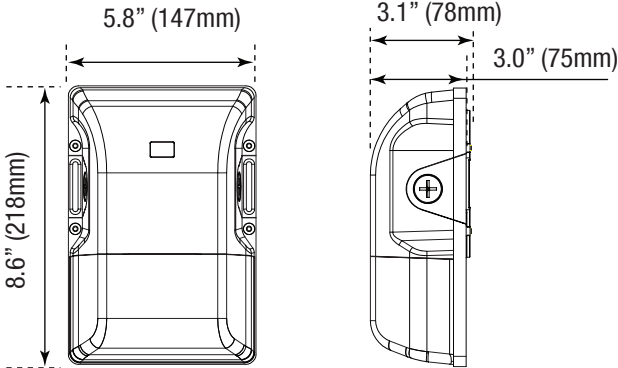
ORDERING

*P= Premium DLC / *S = Standard DLC

Watts (W)	Ordering Code	Description	CCT (K)	Lumens (Lm)	Equiv. Wattage (W)	Included	IP65 Rated	DLC (S/P)
15	9410	FXSECW15/840/DB/MV	4000K	2,024	70	Photocell	•	P
15	9411	FXSECW15/850/DB/MV	5000K	2,027	70	Photocell	•	P
29	9412	FXSECW30/840/DB/MV	4000K	3,933	100	Photocell	•	P
29	9413	FXSECW30/850/DB/MV	5000K	3,949	100	Photocell	•	P

DIMENSIONS

15W / 29W
1.98-lbs



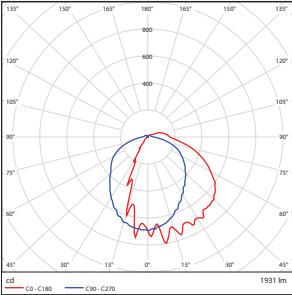
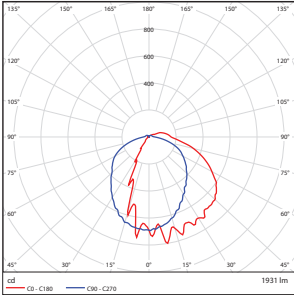
PHOTOMETRICS CHART

PACKAGE

15 Watt
DLC Premium

29 Watt
DLC Premium

Case Qty 10 pcs



Illuminance at a Distance

Center Beam Fc	Beam Width	
6.7R	15.4 fc	13.3 ft 14.0 ft
13.3R	3.91 fc	26.4 ft 27.9 ft
20.0R	1.73 fc	39.7 ft 41.9 ft
26.7R	0.97 fc	53.0 ft 56.0 ft
33.3R	0.62 fc	66.1 ft 69.8 ft
40.0R	0.43 fc	79.4 ft 83.9 ft

■ Vert. Spread: 89.5°
■ Horiz. Spread: 92.7°

Illuminance at a Distance

Center Beam Fc	Beam Width	
6.7R	29.0 fc	14.4 ft 16.5 ft
13.3R	7.36 fc	28.6 ft 32.8 ft
20.0R	3.26 fc	43.0 ft 49.3 ft
26.7R	1.83 fc	57.5 ft 65.8 ft
33.3R	1.17 fc	71.7 ft 82.1 ft
40.0R	0.81 fc	86.1 ft 98.6 ft

■ Vert. Spread: 94.2°
■ Horiz. Spread: 101.9°

