



PROJECT NAME: _____
 NOTES: _____

CAT. #: _____
 FIXTURE SCHEDULE: _____

Lamp Ready Vapor Tight LSV Series

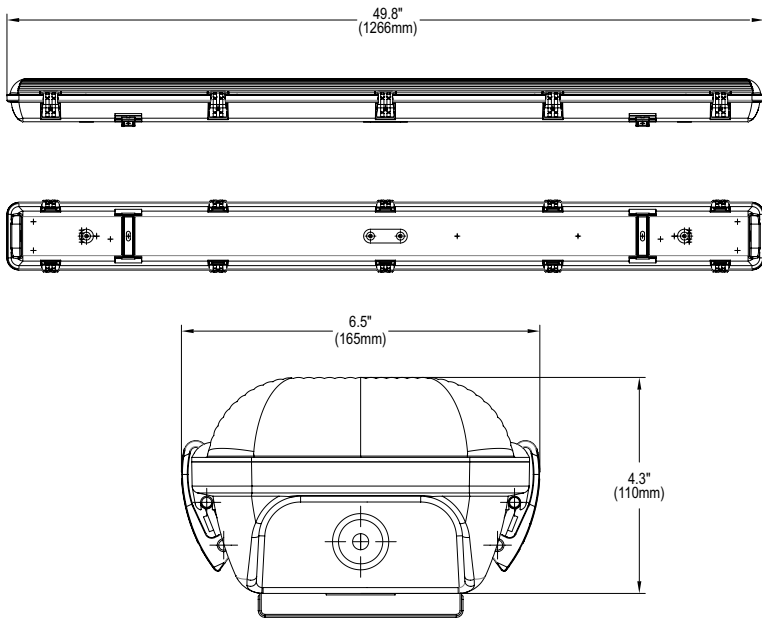


Product Description

The MaxLite Lamp Ready Vapor tight series provides Architects, Specifiers, and Buyers with a ETL listed fixture engineered to operate the latest Single/Double ended LED T8 lamps supplied separately. Offering classic IP65 ratings, with spec grade Stainless steel latches, these fixtures come pre-wired for single ended operating LED lamps for contractor ready installation as new or remodel fixtures.

Caution: Replace only with MaxLite Single ended or Single-Double ended T8 lamps.
 Visit maxlite.com for ordering information.

Dimensions



Features

- Stainless Steel spec grade hasps and clips
- Lead wires are 7' for tandem wiring, eliminating back and end knockouts.
- Sockets are wired in series via non-shunted sockets
- Ceiling or wall mounted
- Surface mount brackets included

Construction

- Engineered and ETL rated to take up to 22w per set of lamp holders
- Pour in place silicone seal provides hermetically sealed envelope for wet environments
- Polycarbonate housing and clear lens standard.
- Wiring is 18 AWG solid to allow 120-277v operation where lamp specification allows
- Sockets rated to 660W, 600V, ETL Listed

Ordering information

ORDER CODE	MODEL NUMBER	WATTS	DESCRIPTION	DIMENSIONS
74850	LSV2XT8USE4806	44W	Vapor Tight Lamp Ready 2xT8 LED 120-277v Single/Double Ended	49.8" x 6.5" x 4.3"
74851	LSV3XT8USE4806	66W	Vapor Tight Lamp Ready 3xT8 LED 120-277v Single/Double Ended	

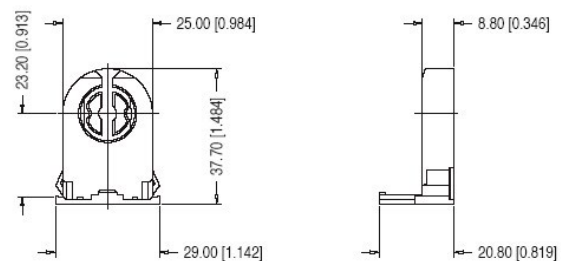
NOTE: This product is specifically engineered and listed for use with MaxLite Single/Double Ended conductor LED lamps. Maximum lamp wattages cannot exceed stated levels without voiding warranty. Cannot use with any other brand of lamps.

Accessories

ORDER CODE	MODEL NUMBER	DESCRIPTION
74139	MLCHKLSV15	Cable Kit, 15 ft x Loop, 1 pair
73978	G13LPNS	G13 Low Profile Non-Shunted Lamp Holder



G13LPNS





Lamp Ready Vapor Tight

LSV Series

Specifications:	LSV2XT8USE4806	LSV3XT8USE4806
Maximum Number of Lamps	2	3
Input Voltage	120-277V, 50/60Hz	
Lamp Operation/Base	Single ended or Single-Double ended T8 lamps	
Length	4 ft	
Maximum Wattage	22W maximum per lamp	
Housing	Polycarbonate, 3mm 5VA, grey	
Mounting	Surface Mounting Bracket included. Optional Suspension Kit	
Operating Temperature	Refer to Lamp Individual Specifications	
Certifications	ETL Listed, IP65	
Environmental	Wet Location	
Warranty	5 Year warranty. Check maxlite.com/warranties for details.	

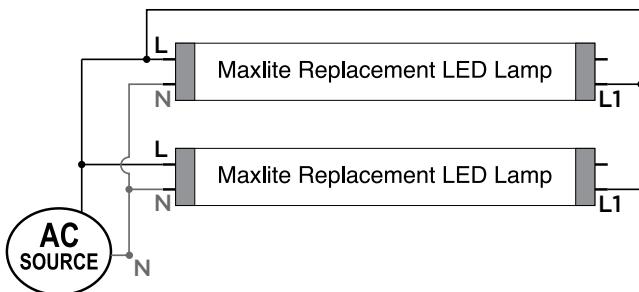
Lamp Configurations

IMPORTANT WARNING:

These fixtures are for use only with lamps wired per the shown example. Serious risk of electrocution, or fire if non-compatible lamp is installed.

Caution: Replace only with MaxLite Single ended or Single-Double ended T8 lamps. Visit maxlite.com for ordering information.

2 Lamp Configuration



3 Lamp Configuration

