



# Operation Instruction

— By Pass/Line Voltage

Product Name: LED PL Tube Series

Product Model: PL-LED

Products Models Included:

S8535-9WPLV/LED/827/BP/2P

S8536-9WPLV/LED/830/BP/2P

S8537-9WPLV/LED/835/BP/2P

S8538-9WPLV/LED/840/BP/2P

S8539-9WPLV/LED/850/BP/2P

## 1. Product Features:

- UL certified
- Full glass housing: No Aging, Yellowing, Bending.

## 2. Product Applications:

Widely used in residential buildings, offices, shopping malls, supermarkets, hospitals, assembly lines, warehouses, etc. for energy saving illumination.

## 3. Installation Instructions:

Please completely comply with these instructions and notes, to ensure that the product is operated in a safe condition.

### ⚠ Safety Precautions:

For your and others' safety, please read the precaution carefully before installation:

- (1). Product should be installed by qualified electrician.
- (2). Switch off the power supply before commencing work, make sure correct connection before power on.
- (3). NOT FOR EMERGENCY LIGHTING.

**WARNING - Risk of fire or electric shock. LED Retrofit Kit installation requires knowledge of luminaires electrical systems. If not qualified, do not attempt installation. Contact a qualified electrician.**

**AVERTISSEMENT - Risque d'incendie ou de choc électrique. Installation du kit de Retrofit LED exige une connaissance des systèmes électriques luminaires. Si vous n'êtes pas qualifié, ne tentez pas de l'installation. Contactez un électricien qualifié.**

**WARNING - Risk of fire or electric shock. Install this kit only in luminaires that have the construction features and dimensions shown in the photographs and/or drawings and where the input rating of the retrofit kit does not exceed the input rating of the luminaire.**

**AVERTISSEMENT - Risque d'incendie ou de choc électrique. Installez ce kit dans les luminaires qui ont les caractéristiques de construction et les dimensions indiquées dans les photographies et / ou dessins et où la cote d'entrée du kit de modification ne dépasse pas la capacité d'entrée du luminaire.**

**WARNING - To prevent wiring damage or abrasion, do not expose wiring to edges of sheet metal or other sharp objects.**

**AVERTISSEMENT - Pour éviter d'endommager le câblage ou à l'abrasion, ne pas exposer le câblage aux bords de tôle ou d'autres objets pointus.**

**Do not make or alter any open holes in an enclosure of wiring or electrical components during kit installation.**

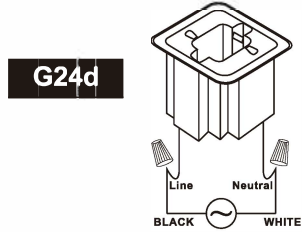
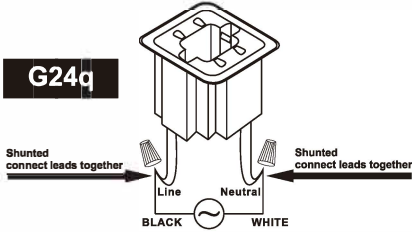
**Installers should not disconnect existing wires from lampholder terminals to make new connections at lampholder terminals. Instead installers should cut existing lampholder leads away from the lampholder and make new electrical connections to lampholder lead wires by employing applicable connectors.**

**THIS RETROFIT KIT IS ACCEPTED AS A COMPONENT OF A LUMINAIRE WHERE THE SUITABILITY OF THE COMBINATION SHALL BE DETERMINED BY AUTHORITIES HAVING JURISDICTION.**

**The units covered by this report were intended to retrofit surface mount, Type IC or non-IC recessed mount Listed fluorescent luminaires that use maximum one tubular lamp. The minimum lamp compartment dimensions are tabulated below:**

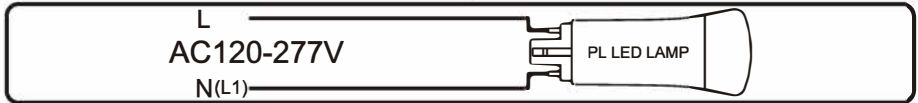
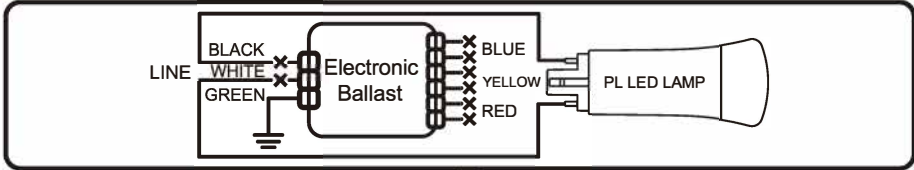
Model Number	MINIMUM LAMP COMPARTMENT DIMENSIONS [DIAMETER × HEIGHT] [CM]	Lamp Quantity
SXXXX9WPLV/LED/8XX/BP/2P	15.5 x 18.5	1

# Lampholder wiring Instruction



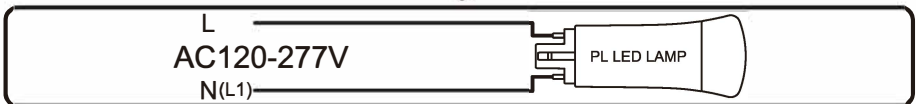
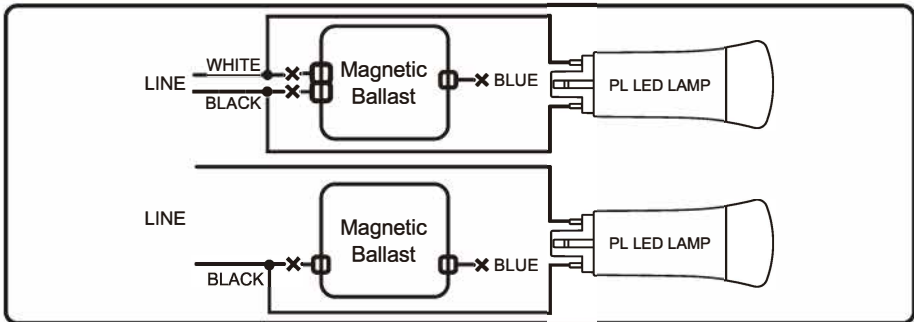
## Wiring Instruction - Electronic Ballast

### Retrofit luminaire with 1 lamp



## Wiring Instruction - Magnetic Ballast

### Retrofit luminaire with 1 lamp



This device complies with Part 15 of the FCC Rules.  
 Operation is subject to the following two conditions:  
 (1) this device may not cause harmful interference, and  
 (2) this device must accept any interference received,  
 including interference that may cause undesired operation.