

## CSL COMMERCIAL STRIP LIGHT

### DESCRIPTION

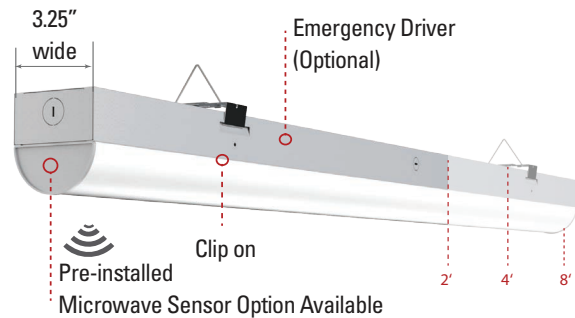
naturaLED® CSL provides the perfect solution for your lighting needs. The LED commercial strip light maximizes energy savings and is designed for multiple applications including new construction. This fixture can be used for warehouse, parking garages, stairwells, offices, hallways and many other applications in industrial and commercial. Types of installation include ceiling, wall, or cable mounting. Our commercial strip light is very versatile, efficient and is available up to 10,000 Lm, with option and availability for pre-installed Bi-level motion sensor.

### APPLICATIONS

Warehouse, Retail, Parking Garage, Stairwell and Hallways, Storage Lighting

### FEATURES

- DLC Standard
- Damp Location
- ETL Listed
- ColorTemp: 3000K, 4000K, 5000K
- Input line voltage: 120-277V
- Power Factor: >0.9
- Surge Protection: 4KV
- Beam Angle: Flood
- Dimmable: 1-10V
- CRI: 80
- Operating temperature: -22°F - 122°F
- Easy installation clip-on
- Material: Steel and PC lens
- Available in 2', 4' or 8' length
- 5Year Warranty
- Optional for purchase: Motion Sensor, Emergency Driver, Wireguard, Step-Down Driver



\*Available in  
2-ft, 4-ft, & 8-ft of length

**Rated Life Hours 50,000**  
**Warranty 5 Years**

### ACCESSORIES

	Motion Sensor
	Emergency Drivers
	Wireguard
	Aircraft cable
	Step Down Driver

SAMPLE NUMBER LED-FXCSSL35/48FR/840/MV-SEN

STYLE	FAMILY	SERIES	WATTAGE	LENGTH/LENS	CRI/COLOR TEMP	VOLTAGE	ACCESSORY
LED	FX	CSL	35	48FR	840	MV	SEN
LED Lighting	Fixture	Commercial Strip Light	35 Watt	48-inch Frosted	CRI 80 4000K	Multiple Voltage	Sensor



# COMMERCIAL STRIP LIGHT

CEILING & AREA LUMINAIRES

## ORDERING

\*P= Premium DLC / \*S = Standard DLC

Watts (W)	Ordering Code	Description	CCT (K)	Lumens (Lm)	Size	Equiv. Wattage (W)	Damp Location	DLC (S/P)
35	<b>9344</b>	LED-FXCSSL35/48FR/840/MV-SEN	4000K	5,417	3.25" x 48"	3x32W(T8)	•	S
35	<b>9345</b>	LED-FXCSSL35/48FR/850/MV-SEN	5000K	5,481	3.25" x 48"	3x32W(T8)	•	S
20	<b>9259</b>	LED-FXCSSL20/24FR/840/MV	4000K	3,283	3.25" x 24"	3x17W(T8)	•	S
20	<b>9260</b>	LED-FXCSSL20/24FR/850/MV	5000K	3,346	3.25" x 24"	3x17W(T8)	•	S
24	<b>7447</b>	LED-FXCSSL25/48FR/830/MV	3000K	3,958	3.25" x 48"	2x32W(T8)	•	-
24	<b>9262</b>	LED-FXCSSL25/48FR/850/MV	5000K	3,999	3.25" x 48"	2x32W(T8)	•	S
34	<b>9264</b>	LED-FXCSSL35/48FR/850/MV	5000K	5,481	3.25" x 48"	3x32W(T8)	•	S
42	<b>9265</b>	LED-FXCSSL42/96FR/840/MV	4000K	6,657	3.25" x 96"	4x32W(T8)	•	S
43	<b>9266</b>	LED-FXCSSL42/96FR/850/MV	5000K	6,823	3.25" x 96"	4x32W(T8)	•	S
56	<b>9268</b>	LED-FXCSSL56/96FR/850/MV	5000K	8,651	3.25" x 96"	5x32W(T8)	•	S

## ACCESSORIES (Ordered Separately)

### Emergency Driver



7334 BAEM15-48BC/MV-A  
(Emergency Backup Driver 120-277V.  
For Item #9268)



7336 BAEM4-60BC/MV-A  
(4W CEC Compliant Emergency Driver 120-277V)

### Motion Sensor



P10234 SEN-MC605V-D  
(Microwave Motion Sensor 0-10V)

### Aircraft Cable



**(10-ft)**  
P10144 MT-ACC-10FT  
(10-ft Air Craft Cable)



**(4-ft)**  
P10147 MT-ACC-4FT  
(4-ft Air Craft Cable)

### Step Down Driver



P10182 BA-10031A-240-22  
(347-480V to 277 Step Down Driver)

### Wireguard



**(2-ft)**  
P10250 WG-CSL/24/WH  
(Wireguard for 2-ft)

**(4-ft)**  
P10251 WG-CSL/48/WH  
(Wireguard for 4-ft)

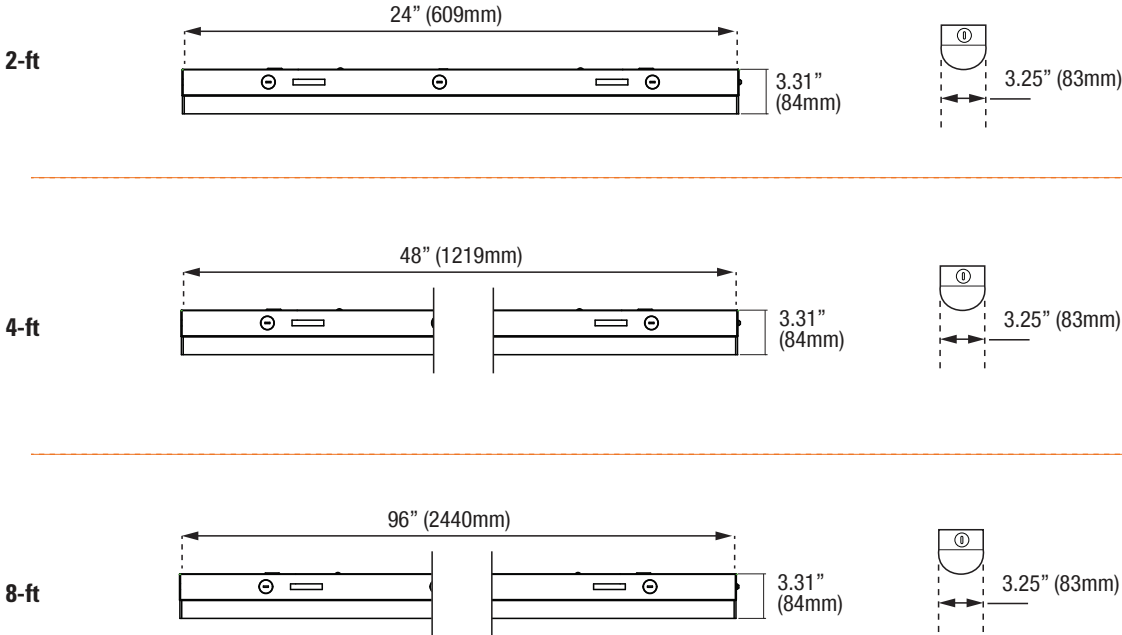
**(8-ft)**  
P10251 WG-CSL/48/WH (x2pcs)  
(Wireguard for 8-ft)



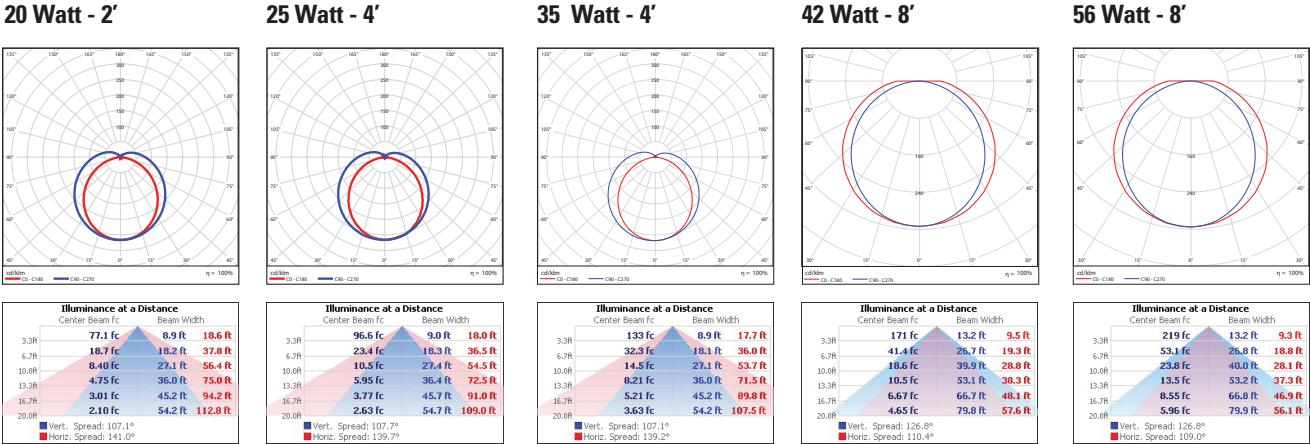
# COMMERCIAL STRIP LIGHT

## CEILING & AREA LUMINAIRES

### DIMENSIONS



### PHOTOMETRICS CHART



### PACKAGE

Case Qty 1 pc

