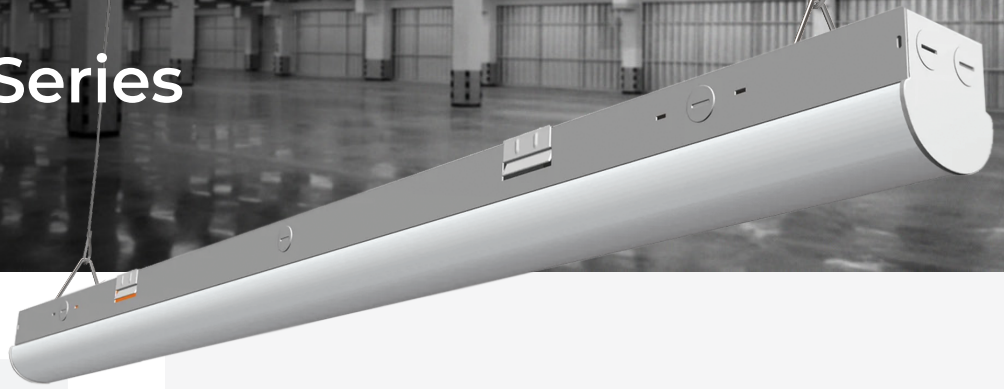


lampar **ARCH**

LLSN | Juno-II Series

Product Data Sheet



COMMERCIAL-GRADE
LED Strip Light

2FT | 4FT | 8FT




Product Overview

The LLSN Juno-II Series LED strip light fixture is engineered to replace traditional applications of fluorescent lamps. It's profile is advantageous for daisy-chained, end-to-end surface or suspended mounting.

Featuring instant-ON and uniform light output, the LLSN-series will exceed lighting demands for commercial buildings such as offices, warehouse, garage, or general lighting applications.

ARCHIPELAGO luminaires and LED components has been tested by independent laboratory in accordance to IESNA LM79 and LM80. LED color temperature is warranted to shift no more than 180K over the standard warranty period. Furthermore, the range of Correlated Color Temperature follows the guidelines of the American National Standard for Specifications for the Chromaticity of Solid State Lighting (SSL) Products, ANSI C78.377-2017.

Product Warranty*

 **7-Year Warranty**

 **75,000 Hrs**

*Standard Warranty | Extended Warranty Available

Applications



Warehouse



Parking
Garage



Schools



Office
Space



General

Product Main Features

- Easy Installation & Low Maintenance Cost
- Linkable Design Suitable For Uniform End-To-End Light Run
- Thermally Isolated Driver For Advanced Heat Dissipation
- Easy To Mount In Suspended Or Surface Methods
- High-Density Led Chips For Uniform Light Output
- 7-Year, 75,000hr Warranty
- ETL Damp Location Listed
- DLC Premium Listed



Project Details

Project: _____

Fixture Schedule: _____

Product Number: _____

Notes: _____

Key Specifications

- **Housing:** Durable Stamped Aluminum
- **Operating Temp:** -10°F — 130°F
- **Input Voltage:** 100-277Vac
- **IP:** UL Damp Location Listed
- **PF:** >0.92 Non-Flicker
- **Efficacy:** >130LM/W
- **Dimming:** 0-10V
- **THD:** <15%
- **CRI:** >80

Model Specifications

Model	Watt	Lumens	Voltage	CCTselect	Length
LLSN10	10W	1,300LM	120-277Vac	3500K 4000K 5000K	2FT
LLSN24	24W	3,120LM			2FT
LLSN24	24W	3,120LM			4FT
LLSN40	40W	5,200LM			4FT
LLSN40	40W	5,200LM			8FT
LLSN64	64W	8,300LM			8FT

Certifications



RoHS



Ordering Guide

Model Series	CCT (K)	Length (FT)	Series Code	Option Code
LLSN10 10W LLSN24 24W	35 3500K 40 4000K 50 5000K	2 2FT	Blank static watt + CCT S3 CCTselect 3500K 4000K 5000K	Blank None * EM08 Fixture + External Emergency Driver ** IE Fixture + Integrated Sensor + Emergency Driver ** IS Fixture + Integrated Sensor **
LLSN24 24W LLSN40 40W		4 4FT		
LLSN40 40W LLSN64 64W		8 8FT		

* Standard Option | ** Integral Controls & Emergency Drivers

Ordering number example:

LLSN40-40-4-S3-IS

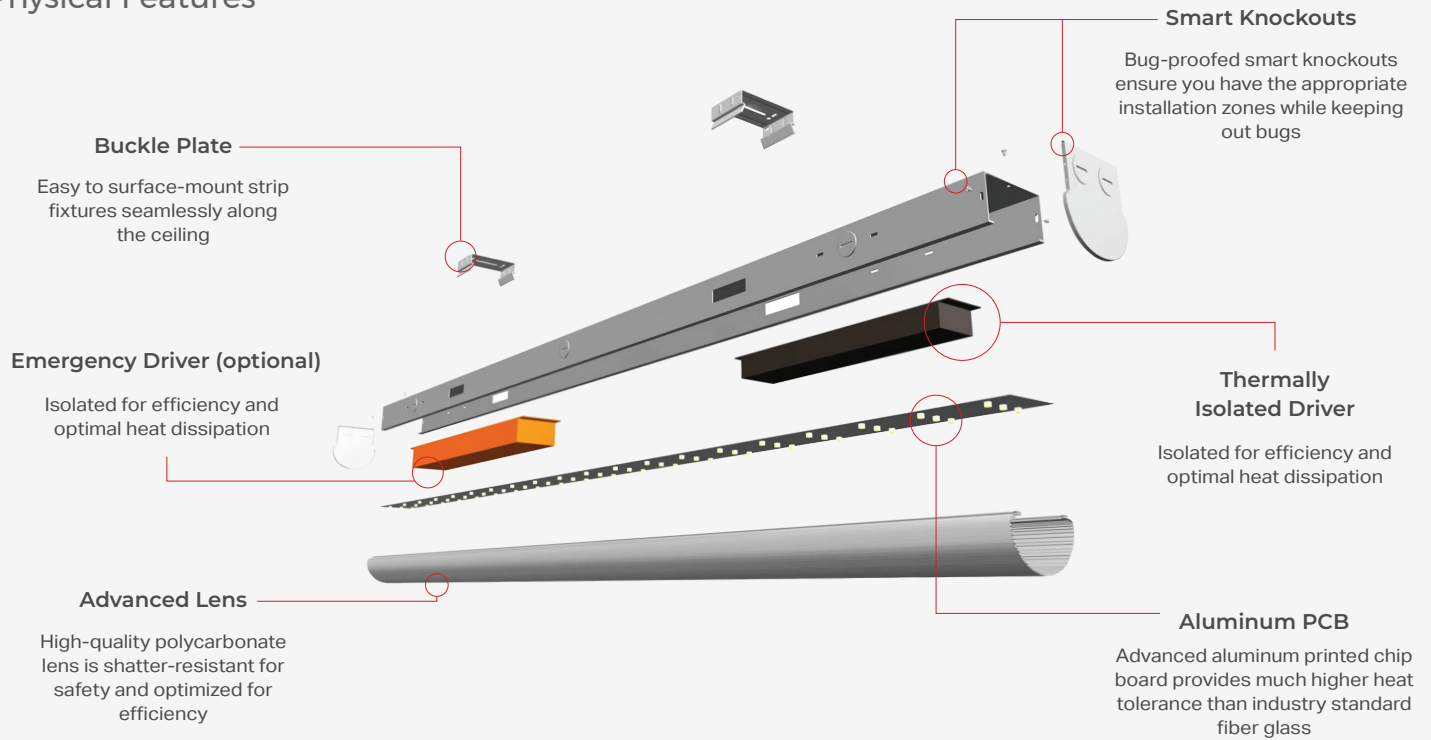
Please place the dashes (-) in the correct order.

Choose your model specifications:

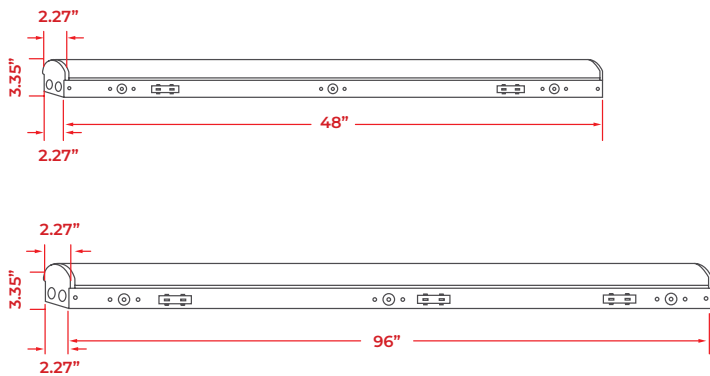
LLSN				
Model Series	CCT	Length	Series Code	Option Code



Physical Features



Sizing & Measurements

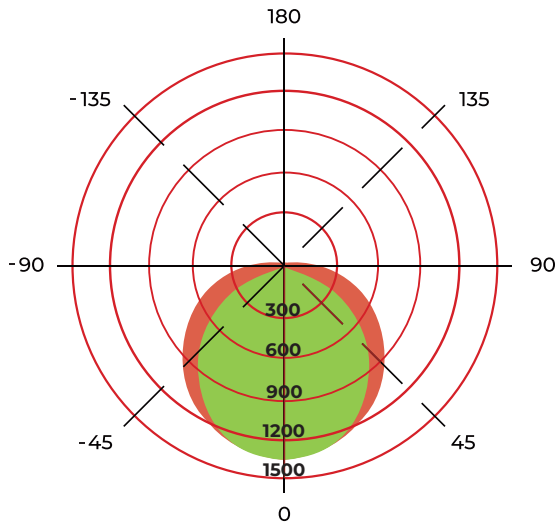


Size	Width(in)	Height(in)	Length(in)	Weight(lb)
2FT	2.27	3.35	24	2.55
4FT			48	4.85
8FT			96	9.75



Photometrics

Luminous Intensity Distribution Diagram



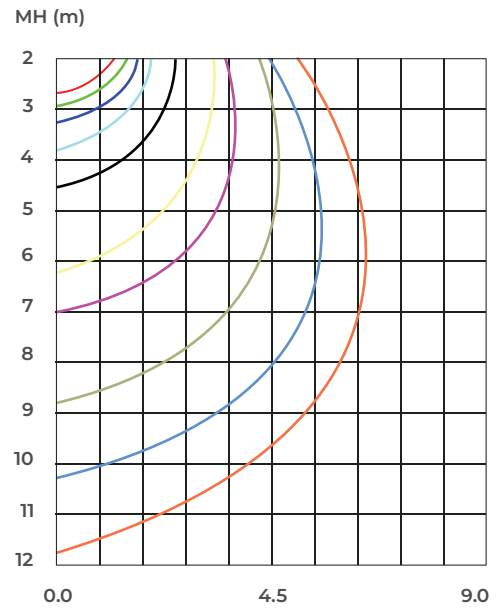
General

Beam Angle (50%) : 120.7 DEG

Unit: cd

- C0/180, 97.0
- C90/270, 115, 8

Plane Isolux Diagram



blue[®]ARCH  en[®]ABLED



Compatible Accessories

EM Drivers					
					
	EM08-2BN		EM15-2BN		
LLSN Juno-II	✓		✓		
Compatible Controllers	RM-MS-H1				
					
Sensors					
					
		Non-Network		Network	
	MSM-D1	MSP-I1	MSP-I3	MSM-IB1	MSP-SB2
LLSN Juno-II	✓	✓	✓	✓	✓
Compatible Controllers	RM-MS-H1	RM-MS-I1			WS-MS-SB1
					
Misc					
					
	LLSN-JSusp4	LLSN-JBuckle	LLSN-JWG4		
LLSN Juno-II	✓	✓	✓		



DLC Model Guide

Product ID	Model Number	DLC	Watt	Lumen	Efficacy	THD	PF	CCT	CRI	Voltage
LLSN10 2FT										
P43N4X8W	LLSN10-30-2[Blank,IS,EM08,IE]-[Blank,RM,WG]	Standard	10	1,380	138	15	0.90	3000K	80	100-277V
PXSLWW89	LLSN10-35-2[Blank,IS,EM08,IE]-[Blank,RM,WG]			1,380	138			3500K		
PMIQ93PQ	LLSN10-40-2[Blank,IS,EM08,IE]-[Blank,RM,WG]			1,390	139			4000K		
PP4YGZL0	LLSN10-50-2[Blank,IS,EM08,IE]-[Blank,RM,WG]			1,400	140			5000K		
LLSN24 2FT										
P3XQOMHU	LLSN24-30-2[Blank,IS,EM08,IE]-[Blank,RM,WG]	Standard	24	3,190	133	15	0.90	3000K	80	100-277V
P02AA5K5	LLSN24-35-2[Blank,IS,EM08,IE]-[Blank,RM,WG]			3,190	133			3500K		
PWYD3GH0	LLSN24-40-2[Blank,IS,EM08,IE]-[Blank,RM,WG]			3,215	134			4000K		
PMBKSL23	LLSN24-50-2[Blank,IS,EM08,IE]-[Blank,RM,WG]			3,240	135			5000K		
LLSN24 4FT										
P9LFK5QT	LLSN24-30-4[Blank,IS,EM08,IE]-[Blank,RM,WG]	Standard	24	3,120	130	15	0.90	3000K	80	100-277V
PRQEDQHE	LLSN24-35-4[Blank,IS,EM08,IE]-[Blank,RM,WG]			3,120	130			3500K		
P17RJ2TA	LLSN24-40-4[Blank,IS,EM08,IE]-[Blank,RM,WG]			3,165	132			4000K		
P9UGO5O8	LLSN24-50-4[Blank,IS,EM08,IE]-[Blank,RM,WG]			3,215	134			5000K		
LLSN40 4FT										
PLWTP7HO8E48	LLSN40-41-4	Premium	40	5,036	127	11	0.90	4000K	85	100-277V
PLYIQP3Q1OGL	LLSN40-50-4		42	5,422	131	12	0.91	5000K	85	
PORIAITJ	LLSN40-30-4[Blank,IS,EM08,IE]-[Blank,RM]	Standard	40	5,400	135	15	0.90	3000K	80	
P3P4N3FB	LLSN40-35-4[Blank,IS,EM08,IE]-[Blank,RM]			5,400	135		0.90	3500K		
PM7DT17D	LLSN40-40-4[Blank,IS,EM08,IE]-[Blank,RM]			5,440	136		0.90	4000K		
PP581J5C	LLSN40-50-4[Blank,IS,EM08,IE]-[Blank,RM]			5,520	138		0.90	5000K		



DLC Model Guide

Product ID	Model Number	DLC	Watt	Lumen	Efficacy	THD	PF	CCT	CRI	Voltage
LLSN40 8FT										
PLIYQK8C4FHY	LLSN40-41-8	Premium	37	5,076	139	12	0.95	4000K	85	100-277V
PLO5HFVHW33V	LLSN40-50-8		37	5,155	141	11	0.91	5000K	85	
PQANGYO5	LLSN40-30-8[Blank,IS,EM08,IE]-[Blank,RM,WG]	Standard	40	5,280	132	15	0.90	3000K	80	
PRRVIYN0	LLSN40-30-8[Blank,IS,EM08,IE]-[Blank,RM]			5,280	132		0.90	3000K		
PVIA6CQ5	LLSN40-35-8[Blank,IS,EM08,IE]-[Blank,RM,WG]			5,280	132		0.90	3500K		
POVJDSCGA	LLSN40-35-8[Blank,IS,EM08,IE]-[Blank,RM]			5,280	132		0.90	3500K		
PAKKGHBE	LLSN40-40-8[Blank,IS,EM08,IE]-[Blank,RM,WG]			5,360	134		0.90	4000K		
PSA2ML4Q	LLSN40-40-8[Blank,IS,EM08,IE]-[Blank,RM]			5,320	133		0.90	4000K		
PCDIV56D	LLSN40-50-8[Blank,IS,EM08,IE]-[Blank,RM,WG]			5,400	135		0.90	5000K		
PUYX8KHN	LLSN40-50-8[Blank,IS,EM08,IE]-[Blank,RM]			5,320	133		0.90	5000K		
LLSN64 8FT										
PL3MY71UX4EC	LLSN64-41-8	Premium	64	8,126	127	14	0.92	4000K	86	100-277V
PL2ZU7OZYUOM	LLSN64-50-8			8,228	128			5000K	85	
PE39M7LE	LLSN64-30-8[Blank,IS,EM08,IE]-[Blank,RM]	Standard	8,640	135	15	0.90	3000K	80		
P6HEKNFG	LLSN64-35-8[Blank,IS,EM08,IE]-[Blank,RM]		8,640	135			3500K			
PUM2HMQ5	LLSN64-40-8[Blank,IS,EM08,IE]-[Blank,RM]		8,704	136			4000K			
PZVKL6WB	LLSN64-50-8[Blank,IS,EM08,IE]-[Blank,RM]		8,832	138			5000K			

* **Note:**
Dimming Status: Continuous Dimming to 10% or below
Wired Communication Protocol: 0-10V
Integral Controls: Has Integral Controls
Sensor Type: Occupancy Sensor