

Unique "Light Bar" design combines LED exit illumination with reliable, low-profile LED emergency lighting. The Revolution series offers maintenance free, long-life dependable service, and easily mounts above doors and in restricted spaces to fit any application.

**FEATURES AND BENEFITS**

- Unique adjustable "Light Bar" emergency lighting with ultra-bright, energy-efficient white LEDs
- Remote capable - up to 1 MLED remote head (sold separately)
- Universal style - includes 2 faceplates, a backplate and mounting canopy
- Optional Guardian Self-test/Self-diagnostics (G2) available
- Field-selectable directional chevrons
- Suitable for Damp Locations

**SPECIFICATIONS**

**Illumination:** Exit Face: High output, long lasting red or green LEDs  
EM Lights: 1.5W Ultra-bright white LEDs

**Housing:** Injection-molded UL 94 5VA flame-retardant, high-temperature thermoplastic

**Input:** 120/277VAC Dual primary, 60Hz

**Battery:** Maintenance free NiCad battery

**Run Time:** UL Listed 90 minute emergency run time, 24 hour recharge time

**Electrical:** Brownout circuit (G2 only), low voltage disconnect, overload and short circuit protection

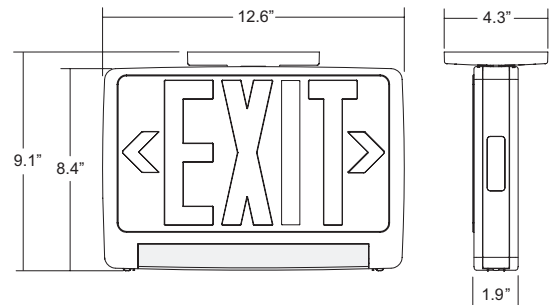
**Mounting:** Ceiling, end or wall mount

**Finishes:** Black or White

**Options:** G2 = Guardian Self-test/Self-diagnostics

**Certifications:** UL 924 Listed for Damp Locations

**Warranty:** Any component that fails due to manufacturers defect is guaranteed for 5 years with a separate 5 year pro-rated warranty on the battery. The warranty does not cover physical damage, abuse or instances of uncontrollable natural forces. See the full Exitronix warranty document for detailed information. (Terms and conditions apply)



**ORDERING INFORMATION Example: CLED-U-WH-G2**

Series	Style	Finish	Options (Factory Installed)	Accessories <sup>2</sup> (Field Installed)
CLED = Red	1 = Single Face	BL = Black	G2 = Self-test/Self-diagnostics	WG-S = Wire Guard (Back Mount)
GCLED = Green	U <sup>1</sup> = Universal	WH = White		XG-6 = Poly Guard (Back Mount)
				MLED1 <sup>3</sup> = Single Remote Lamp

**Notes**

- <sup>1</sup> Universal includes 2nd exit face and backplate
- <sup>2</sup> Order as separate line item
- <sup>3</sup> See page 2 for ordering information

**CONSTRUCTION**

The CLED series is constructed of a precision molded housing constructed of 5VA flame-retardant, corrosion-proof, UV-stable thermoplastic.

**ILLUMINATION**

Fully illuminated 6" stencil letters with 3/4" stroke, with minimum of 100 ft viewing distance is achieved with high output, long lasting red or green Light Emitting Diodes (LEDs). An exclusive color-matched diffuser eliminates hot spots and striations, providing optimal light output. LEDs are a maintenance-free solution, providing up to 100,000 hours of use without failure.

**EMERGENCY LIGHTS**

Light bar features ultra-bright white LEDs consuming 1.5W.

**ELECTRICAL**

**Input**

Dual voltage input 120 or 277VAC @ 60Hz.

**Nickel Cadmium Battery – NiCad (With Battery Only)**

Exitronix nickel cadmium batteries are maintenance-free.

**Brownout Circuit (G2 only)**

Brownout circuit monitors the line voltage, as the line voltage sags and can no longer illuminate the exit sign to meet UL 924 visibility test, the emergency circuit will turn on to supply a portion or all the power to illuminate the sign for a minimum of 90 minutes until the line voltage is restored.

**Low Voltage Disconnect (G2 only)**

When the battery's terminal voltage falls below predetermined levels, the low voltage circuit disconnects the emergency lighting load. The disconnect remains in effect until normal power is restored, preventing deep battery discharge and improving the life of the battery. The disconnect will also automatically reconnect the load circuit once the battery voltage returns to a normal value after charging.

**Solid-State Transfer**

The unit features a solid-state switching transistor which eliminates damaged contacts or mechanical failures associated with relays. The switching circuit is designed to detect a loss of AC power and automatically energizes the lamps. Upon restoration of the AC voltage, the emergency lamps will switch off and the charger will automatically recharge the battery.

**Overload and Short Circuit Protection**

The solid-state overload monitoring system in the DC circuit disconnects the lamp load from the battery should excessive wattage demands be made and automatically resets when the overload or short circuit is removed. This overload current protective characteristic eliminates the need for fuses or circuit breakers for the DC load.

**Test Button**

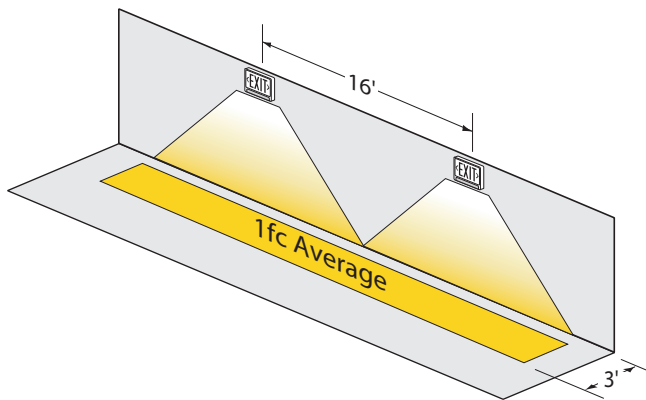
Our easily located test button allows for manual verification of proper operation of the transfer circuit and emergency lamps.

**INSTALLATION**

Simple snap together universal design allows for faceplate and back plate to be fully interchangeable. Mounting canopy is supplied with all signs and snaps into enclosure with two positive locking tabs.

**SAMPLE PHOTOMETRICS**

Using multiple units mounted at a typical 7.5' delivers 16' center-to-center spacing on a 3' wide egress path.



**Damp Location Rated - Standard**

Damp Location rating ensures the fixture is designed to operate safely in outdoor locations that are protected from the direct elements. Damp Location rated fixtures may be installed indoors. Products with Damp Location ratings are not designed to withstand constant or significant moisture or direct contact with water or steam.

**Guardian Self-Test/Self-Diagnostics – (Option: G2)**

The Guardian circuit continuously monitors the operating condition of the AC power, battery supply voltage, emergency lamp continuity and charging circuit.

The purpose of this option is to provide visual signaling in response to a fault at the EXIT sign battery and/or battery charger. If a failure is detected, visual status will occur immediately via the CHARGER LED and/or the BATTERY FAULT LED. The LEDs will stay illuminated until the fault is corrected.

The Guardian circuit also monitors the transfer circuit as well as performing automatic code compliant testing. The Guardian circuit will perform a 30 second discharge and self-test every 28-30 days. A 90 minute discharge and self-test is performed every 6 months.

**CONFORMANCE TO CODES & STANDARDS**

The CLED Series is UL Listed and meets or exceeds the following: UL 924, NEC requirements and NFPA 101.

**REMOTE LAMPS (Order Separately)**

**FEATURES**

- Each lamp contains 8 long lasting, efficient ultra-bright white LEDs
- For use with VLED-EL90 or CLED combo units only
- Wet Location option available



**REMOTE ORDERING INFORMATION**

Example: MLED1-W-G2

Series <sup>1</sup>	Finish	Options
MLED1 = Single Remote Lamp	B = Black	G2 <sup>2</sup> = Self-test/Self-diagnostics
	G = Gray	WP = Weatherproof Applications
	W = White	

**Notes**

<sup>1</sup> Order remote lamps as separate line item

<sup>2</sup> Unit powering remote lamp head must also have G2 option

Using multiple units mounted at a typical 7.5' delivers 12' center-to-center spacing on a 6' wide egress path.

