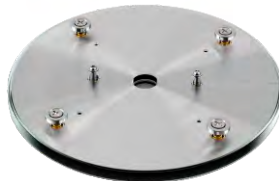
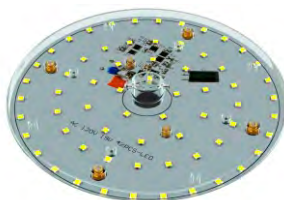


Overdrive multi-purpose LED Retrofits (MPLR) is uniquely designed to convert and upgrade most of the existing ceiling fixtures, pendants to latest LED Technology without rewiring and is as easy as changing a light bulb. With our patented designs, most of the existing ceiling fixtures, pendants, and portable lamps are easy to adapt with our LED Retrofits without rewiring. With our MPLRs, the lighting factories no longer need to assemble the lighting fixtures, they only need to pack all the lighting components in a box and ship to the customers. Parts are installed with MPLR, to become a complete lighting fixture. This not only saves the production time and cost, but also allows distributors to stock less

**There are NO better and cost effective ways to save when using Overdrive's MPLR's!!**

### Features:

- Multiple mounting systems provided, with unique patented designs, allowing users to plug n play.
- Plug & Play Module using E26/GU24 Hard Wire Socket Connector for Most Fixtures.
- Three Simple Easy installation options.
- Multiple wattage - 11W, 16W, 19W, 25W available in 3000K, 4000K and 5000K (Special Color on request)
- Dimmable and compatible with most major brand dimmers on the market.
- DOB design with LM80 LED chips.
- Suitable for Industrial and Residential fixtures.
- Suitable for Ceiling Fixtures, Pendants, floor lamps. 5 years warranty.



Item	Model	Description	Case Qty.
312	ODMP13113NU	11W, MPLR 120V, 3000K	24
313	ODMP13114NU	11W, MPLR 120V, 5000K	24
301	ODMP13163NU	16W, MPLR 120V, 3000K	24
309	ODMP13164NU	16W, MPLR 120V, 4000K	24
314	ODMP13165NU	16W, MPLR 120V, 5000K	24
302	ODMP13193NU	19W, MPLR 120V, 3000K	24
310	ODMP13194NU	19W, MPLR 120V, 4000K	24
315	ODMP13195NU	19W, MPLR 120V, 5000K	24
303	ODMP13253NU	25W, MPLR 120V, 3000K	24
311	ODMP13254NU	25W, MPLR 120V, 4000K	24
316	ODMP13255NU	25W, MPLR 120V, 5000K	24
304	E1	E26 Socket Adapter for Retrofit	24/96
305	EA	E26 Socket Adapter for Pole Mount	24/96
306	GU	GU24 Socket Adapter for Retrofit	24/96



**RoHS**



Patent No.: 201621098755.0

See Demo  Click link below:

 [Overdrive MPLR Introduction and Installation](#)

# MULTI PURPOSE LED RETROFIT

Model #	ODMP13113 NU	ODMP13163 NU	ODMP13193 NU	ODMP13253 NU
<b>Input Wattage</b>	11W	16W	19W	25W
<b>Input Voltage Range (V)</b>	120			
<b>Delivered Lumens (lm)</b>	880	1140	1420	2090
<b>Efficacy (lm/W) - 3000K</b>	80	71	75	84
<b>Color Rendering Index (CRI)</b>	>82			
<b>Color Temperature (CCT)</b>	3000K/4000K/5000K			
<b>Equivalent Wattage (Approx.)</b>	2 X 9W CFL	2 X 13W CFL	2 X 18W CFL	2 X 23W CFL
<b>Beam Angle</b>	120°			
<b>Power Factor</b>	>0.9			
<b>MAX THD (%)</b>	<34			
<b>Ambient Temp<sup>0</sup>F)</b>	(-4° <sup>0</sup> F-110° <sup>0</sup> F) (-20° <sup>0</sup> C-43° <sup>0</sup> C)			
<b>LM-79</b>	Yes			
<b>LM-80</b>	Yes			
<b>Safety</b>	ETL			
<b>Fixture Mounting:</b>	Ceiling, Pendant, Portable Lamp, Torchiere (SS/PS Mounting included)			
<b>Dimming Compatible</b>	Yes, SCR Dimming			
<b>Compatible Dimmers</b>	Leviton: IP110, DVCL153P-WH, CT-600P-BL, MACL153M, CPL06-10Z			
	Lutron: 6674-P, VPM10-iL, 6672-L, 6681, CTCL-153PD, S-600P, CF1000P, CT-303P, LGCL-153PL, VP1-6iL, PD-6WCL, VPM10, MACL153M			
	Cooper: DLC03P, Legrand: 341107-01/15			
	# Contact us for the latest compatible availability of the dimmer			
<b>Diameter</b>	Ø4.13" (104mm)	Ø5.7" (144mm)	Ø7.2" (185mm)	
<b>Height</b>	1.5" (38mm)	0.78" (20mm)		
<b>Weight: (g)</b>	65	110	170	300
<b>Life (Hours)</b>	>40,000 hours			
<b>Warranty (Years)</b>	5 Years			
<b>ENERGY STAR</b>	Yes			
<b>Case Qty</b>	6 Inner / 24 Master			

## CEILING FIXTURE APPLICATION

Designed for all types of ceiling fixtures.



Overdrive MPLR is designed with 3 types of unique mounting systems which can be easily mounted to all types of ceiling fixtures..



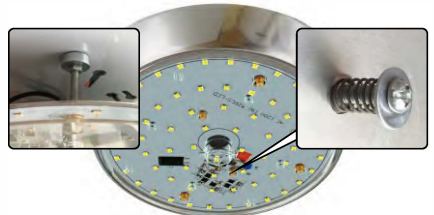
Overdrive MPLR is also supplied with one set of mounting screws with spring.



Simply connect the wires with the connectors, if the ceiling fixture has already built in sockets, you can simply connect the socket mounting kit to either one of the sockets and then connect to the MPLR. If ceiling fixture is designed with a stem for holding the glass, it can be directly positioned by the screw at the center of the MPLR. If ceiling fittings is designed without stem you can use the set of magnetic screws, simply mount the screws to the MPLR and adjust the distance, then position the MPLR close to the diffuser.



The MLPR is designed to mount to the standard mounting holes of ceiling fixtures. Just push the screws into the mounting holes and twist the MPLR to the end then release the MPLR, the MPLR will be automatically locked into the ceiling fixture.



## PENDANT APPLICATION

Design for most of the pendants



Choose from our different wattages of MPLR from 16W, 19W or 25W



Just place the MPLR into the pole of the pendant to the right location, Tighten tight up the central screw.  
If 1 MLPR is not bright enough, you can install 2 MPLRs, one for up light and another one for down light, as both MPLRs can be operated independently or synchronized.

## PORTABLE LAMP APPLICATION

MPLR is also designed to fit floor lamps. If more light is required, 2 MPLRs can be used in one lamp, 1 for up light and one for down light. The 2 MPLRs can be operated independently or synchronized.

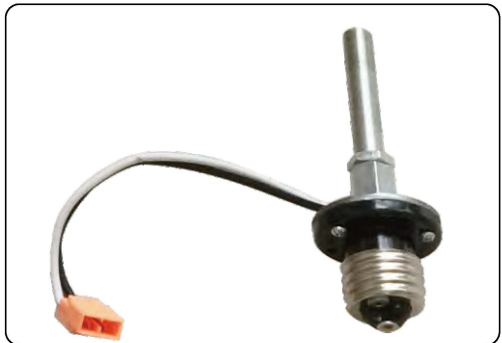


## FLOOR LAMP APPLICATION

A socket mounting pole kit is provided, which can be mounted with the MPLRs, and MPLR becomes a dimmable led light bulb. It can be screwed into any floor lamps with either an E26 or E27 socket.



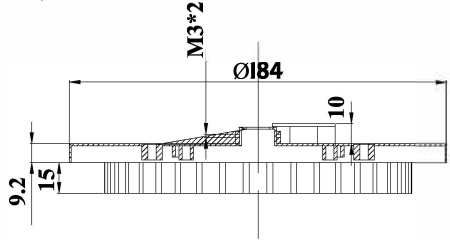
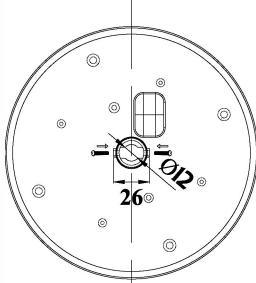
E26 or E27 socket mounting pole kit



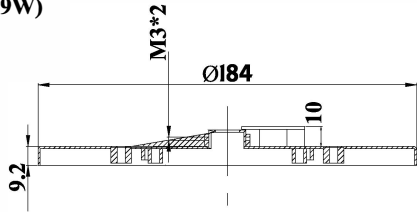
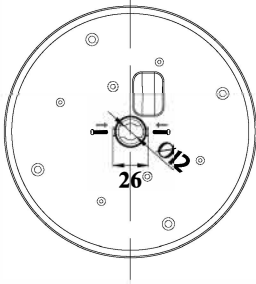
# POST SCREWS MOUNTING (PS)

(Standard accessory included in base model)

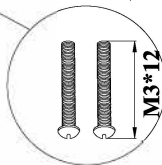
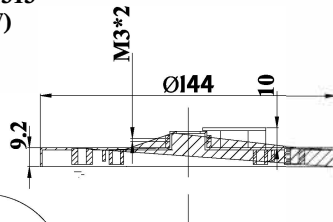
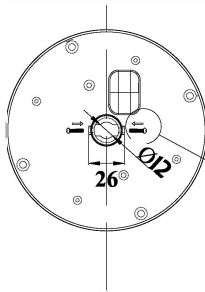
**ODMP1325  
(25W)**



**ODMP1319  
(19W)**



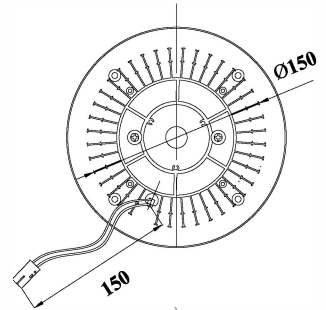
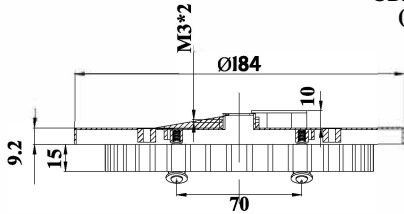
**ODMP1313  
(13W)**



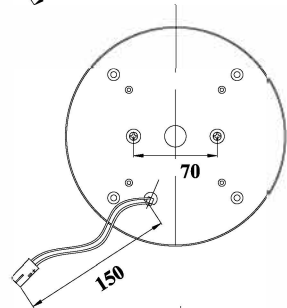
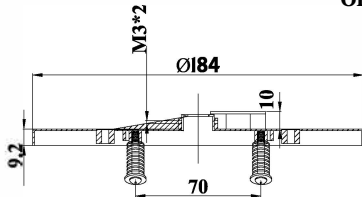
# SPRING SCREWS MOUNTING (SS)

(Standard accessory included in base model)

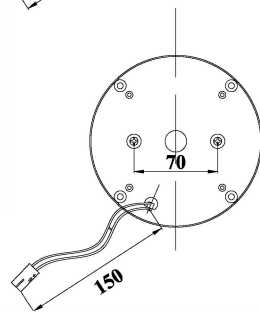
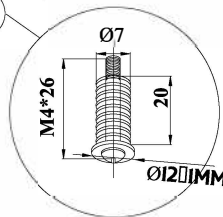
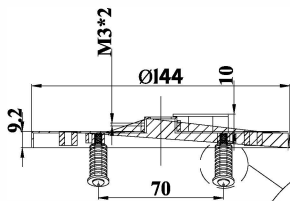
**ODMP1325**  
(25W)



**ODMP1319**  
(19W)



**ODMP1313**  
(13W)

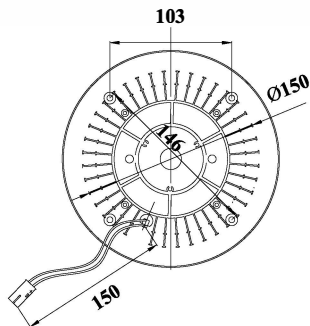
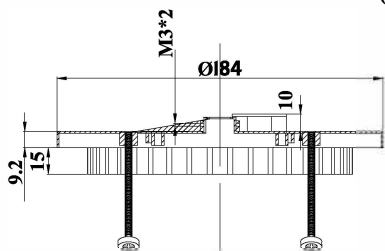




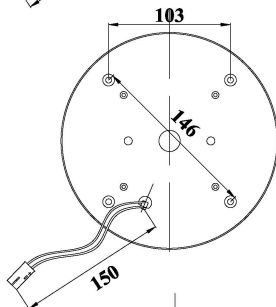
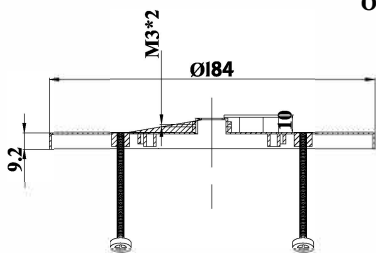
# MAGNETIC SCREWS MOUNTING (MS)

(Standard accessory included is base model)

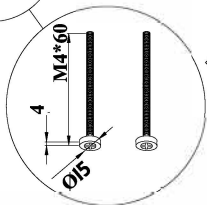
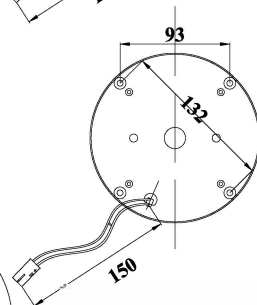
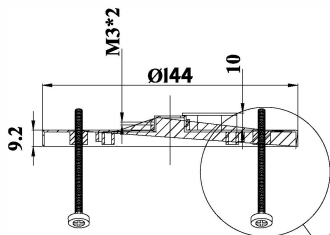
**ODMP1325  
(25W)**



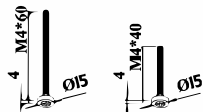
**ODMP1319  
(19W)**



**ODMP1313  
(13W)**

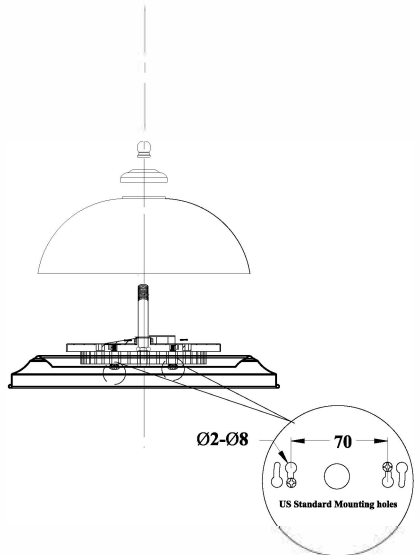
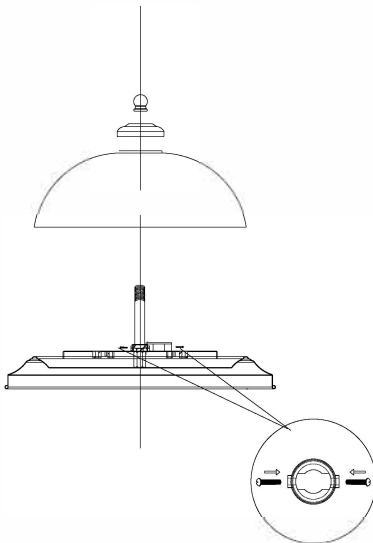
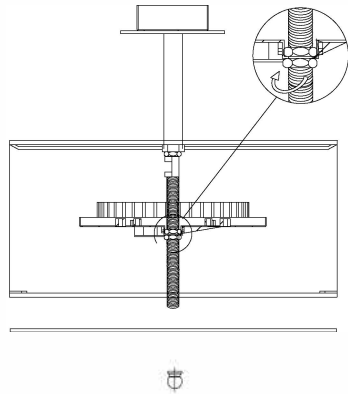
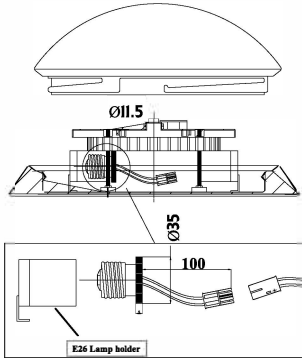


**M1 (60mm)  
(With 25W MPLR)**

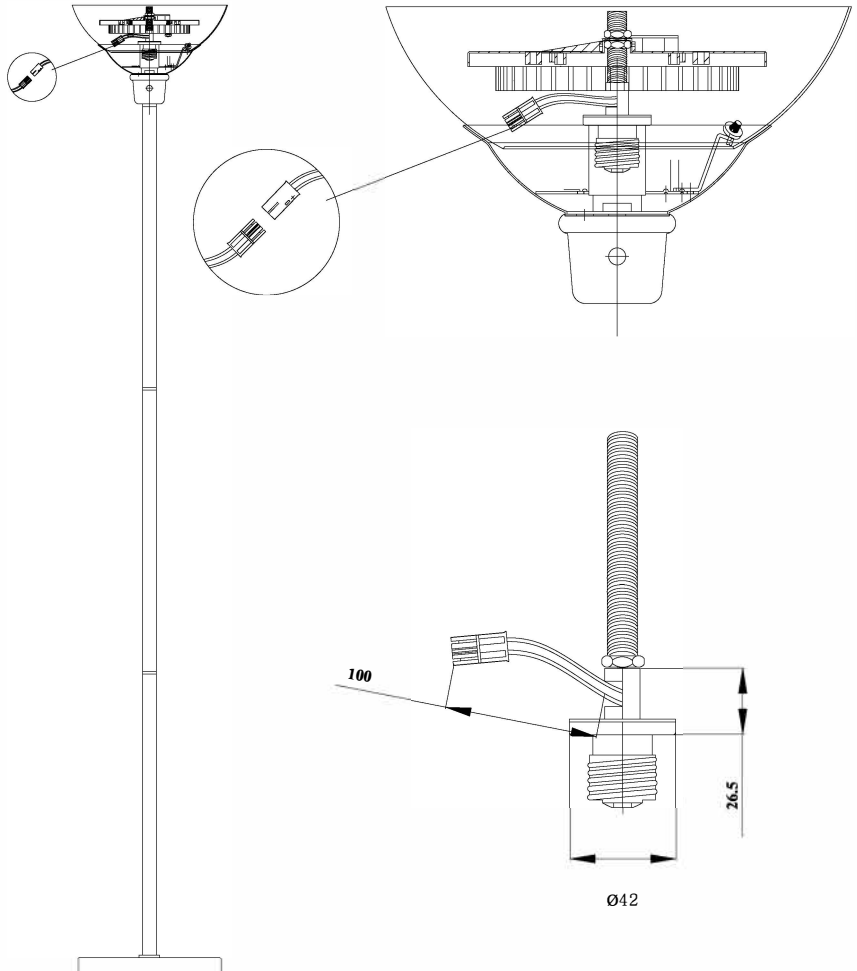


**M2 (40mm)  
(With 16W/19W)**

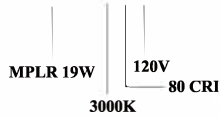
# PENDANT CEILING FIXTURE APPLICATION



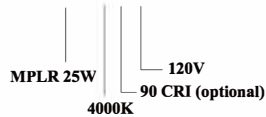
## PORTABLE FLOOR LAMP APPLICATION



Order Code Example: **ODMP1319 3 N U**



Order Code Example: **ODMP1325 4 H U**

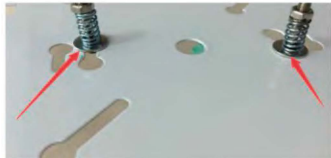


## Standard Accessories Supplied with MPLR:

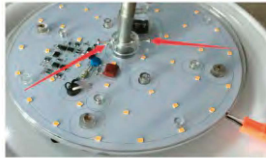
- 4 Wire Nuts
  - 1 Hard wire with connector
  - 2 Screw for Post Screw Mounting (Pre installed)
  - 2 Spring Screw Mounting (Pre installed)
  - 2 Magnetic Screw
- (M2 -40mm with 16W/19W and M1-60mm with 25W)



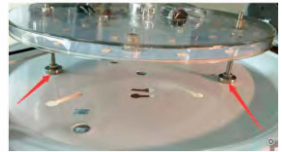
## Details of Three Mounting Arrangements:



Spring Screw is inserted and turn to Snap fit MPLR

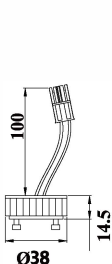


Tighten the Screw as shown below to mount on Centre Rod

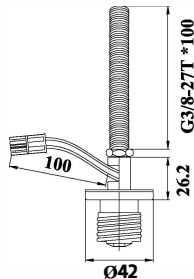


Magnet Screw is screwed in the MPLR and levelled which then sticks to the body of fixture

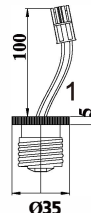
## Optional Accessories (to be bought separately as per requirement)



GU (GU24)  
Item# 306



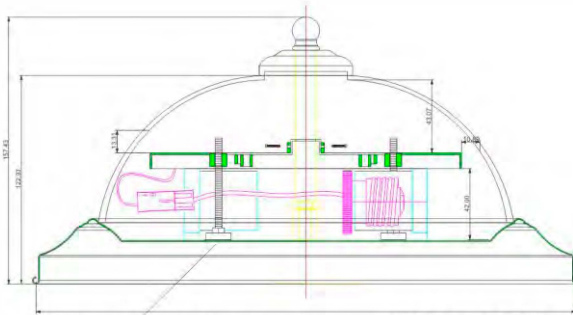
EA (E26)  
Item# 305



E1 (E26)  
Item# 304

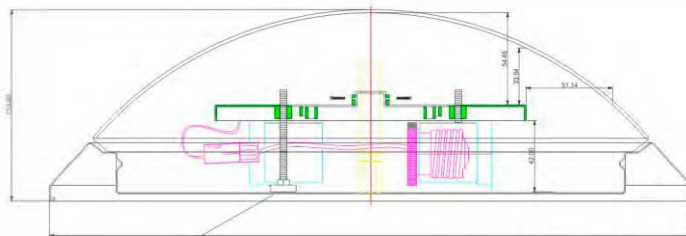
## RETROFIT APPLICATION FOR CEILING FIXTURE

(Size Given Below is Only For Reference and Demonstration Purpose Only)



Magnetic Screws M1 (60mm)

Ø330 (13")



Magnetic Screws M1 (60mm)

Ø380 (15")

## MPLR Packing Information

Item No.	Model	Color Box	lbs/PC (White Box)	Inner CTN (6 Pcs)	Inner CTN Weight	Master CTN (24 pcs)	Master CTN Weight	pcs/20'	pcs/40'
312	ODMP13113NU (11W/30K)	4.65*1.54*4.65 Inch	NA	9.60*5.04*5.04 Inch	NA	19.80*5.63*10.67* Inch	NA	37070	76877
313	ODMP13114NU (11W/40K)	4.65*1.54*4.65 Inch	NA	9.60*5.04*5.04 Inch	NA	19.80*5.63*10.67* Inch	NA	37070	76877
301	ODMP13163NU (16W/30K)	5.91*1.69*5.91 Inch	0.31 lbs	10.71*6.30*6.30 Inch	2.73 lbs	21.85*6.89*13.19 Inch	11.95 lbs	18000	46800
309	ODMP13164NU (16W/40K)	5.91*1.69*5.91 Inch	0.31 lbs	10.71*6.30*6.30 Inch	2.73 lbs	21.85*6.89*13.19 Inch	11.95 lbs	18000	46800
314	ODMP13165NU (16W/50K)	5.91*1.69*5.91 Inch	0.31 lbs	10.71*6.30*6.30 Inch	2.73 lbs	21.85*6.89*13.19 Inch	11.95 lbs	12000	30960
302	ODMP13193NU (19W/30K)	7.48*1.69*7.48 Inch	0.49 lbs	10.71*7.87*7.87 Inch	4.12 lbs	21.85*16.34*8.46 Inch	18.08 lbs	12000	30960
310	ODMP13194NU (19W/40K)	7.48*1.69*7.48 Inch	0.49 lbs	10.71*7.87*7.87 Inch	4.12 lbs	21.85*16.34*8.46 Inch	18.08 lbs	12000	30960
315	ODMP13195NU (19W/50K)	7.48*1.69*7.48 Inch	0.49 lbs	10.71*7.87*7.87 Inch	4.12 lbs	21.85*16.34*8.46 Inch	18.08 lbs	12000	30960
303	ODMP13253NU (25W/30K)	7.48*1.69*7.48 Inch	0.73 lbs	10.71*7.87*7.87 Inch	5.73 lbs	21.85*16.34*8.46 Inch	24.03 lbs	12000	30960
311	ODMP13254NU (25W/40K)	7.48*1.69*7.48 Inch	0.73 lbs	10.71*7.87*7.87 Inch	5.73 lbs	21.85*16.34*8.46 Inch	24.03 lbs	12000	30960
316	ODMP13255NU (25W/50K)	7.48*1.69*7.48 Inch	0.73 lbs	10.71*7.87*7.87 Inch	5.73 lbs	21.85*16.34*8.46 Inch	24.03 lbs	12000	30960

## Accessory Packing Information

Item No.	Model	Product Size	Product Weight	Inner CTN(24 pcs)	Inner CTN Weight	Master CTN (96pcs)	Master CTN Weight
304	E1	1.40*1.40*5.91 Inch	0.044 lbs	8.07*5.91*3.35 Inch	1.10 lbs	8.66*6.50*14.17 Inch	4.85 lbs
305	EA	1.50*1.50*5.91 Inch	0.039 lbs	8.07*5.91*3.35 Inch	0.99 lbs	21.85*6.89*13.19 Inch	4.63 lbs
306	GU	1.65*1.65*6.30 Inch	0.158 lbs	8.07*5.91*4.33 Inch	3.81 lbs	21.85*6.89*18.11 Inch	15.87 lbs

