



TUV T5

TUV 36T5 SP NO/32

TUV T5 lamps are single- or double-ended UV-C 253.7 nm emitting lamps. The small 16 mm diameter of the lamp allows for a small system design and design flexibility. TUV T5 lamps offer constant UV output over their complete lifetime.

Warnings and Safety

- A lamp breaking is extremely unlikely to have any impact on your health. If a lamp breaks, ventilate the room for 30 minutes and remove the parts, preferably with gloves. Put them in a sealed plastic bag and take it to your local waste facilities for recycling. Do not use a vacuum cleaner.
- DANGER: Risk Group 3 Ultra Violet product. These lamps emit high-power UV radiation that can cause severe injury to skin and eyes. Avoid eye and skin exposure to unshielded product. Use only in an enclosed environment which shields users from the radiation.
- Plants and/or materials that are exposed to UV-C and/or ozone for a long time may become damaged and/or discolored.

Product data

General Information	
Cap-Base	Single Pin
Useful Life (Nom)	9,000 hour(s)
Light Technical	
Depreciation at Useful Lifetime	20 %
Arc Length O (Nom)	762 mm
Operating and Electrical	
Power Consumption	40 W
Lamp Current (Nom)	0.425 A
Voltage (Nom)	97 V

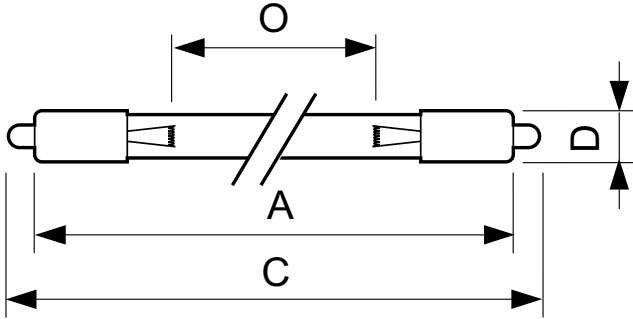
Mechanical and Housing	
Net Weight (Piece)	87.000 g
Approval and Application	
Mercury (Hg) Content (Nom)	3.0 mg
CE mark	Yes
UV	
UV-C Radiation at 100 hr	14.8 W
Product Data	
Order product name	TUV 36T5 SP NO/32
Full product name	TUV 36T5 SP NO/32
Full product code	871150064036999
Order code	927970004099

TUV T5

Material Nr. (12NC)	927970004099
Numerator - Quantity Per Pack	1
EAN/UPC - Product/Case	8711500640369
Numerator - Packs per outer box	32

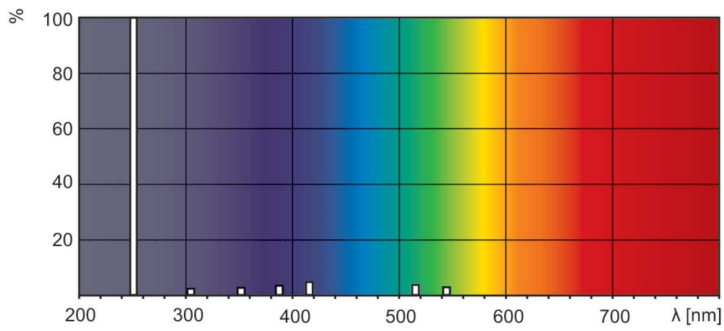
EAN/UPC - Case	8711500640376
----------------	---------------

Dimensional drawing



Product	D (max)	O	C (max)	A (max)
TUV 36T5 SP NO/32	18.6 mm	762 mm	863.9 mm	845.4 mm

Photometric data



Spectral Power Distribution Colour - TUV 36T5 SP NO/32

