

## EZ24 PSM1GPH18DW24

Ballast Type: Electronic  
Input Voltage: 19.2-31.2Vac/Vdc  
Input Frequency: 47-63Hz

Starting Method: Program Start  
Lamp Connection: Series

Unit Color: White  
Unit Weight: 0.80 lbs.

**ELECTRICAL SPECIFICATIONS:**

Line Voltage (V)	Lamp Type	Lamp Wattage (W)	Approx. Lamp Length (in)	No. of Lamps	Arc Voltage (V)	Lamp Current (mA)	Line Current (A)	Input Power (W)	Energy Efficiency
24Vac	GPH118T5	7	5	1	16	425	0.40	10	0.73
24Vac	GPH167T5	8	7	1	19	425	0.46	11	0.75
24Vac	GPH212T5	10	8	1	24	425	0.52	13	0.75
24Vac	GPH287T5	14	11	1	33	425	0.69	18	0.78
24Vac	GPH303T5	15	12	1	34	425	0.74	19	0.78
24Vac	GPH357T5	17	14	1	40	425	0.80	22	0.78
24Vdc	GPH118T5	7	5	1	14	437	0.40	10	0.70
24Vdc	GPH167T5	8	7	1	18	433	0.50	12	0.67
24Vdc	GPH212T5	10	8	1	21	433	0.55	13	0.69
24Vdc	GPH287T5	14	11	1	32	422	0.74	18	0.72
24Vdc	GPH303T5	15	12	1	33	415	0.80	19	0.74
24Vdc	GPH357T5	17	14	1	41	400	0.90	22	0.77

Operates Preheat Start Low Ozone Lamps and Ozone Generating Lamps

**PERFORMANCE:**

- Program Start electronic ballast
- Max Current THD = ≤15%
- Power Factor = ≥0.97
- Poke-in, Dual-entry color-coded connectors
- Integral and Connector power & lamp LED
- Internal Surge Protection
- Encased & Potted
- Best in class performance for EMC and EMI FCC Part 18 Class B and EN55015
- Meets ANSI Standard C62.41-1991 for transient protection
- Meets ANSI Standard C82.11-2011 for ballast requirements
- EN61000-3-2: 2014 Electromagnetic compatibility (EMC) — Part 3-2: Limits — Limits for harmonic current emissions (equipment input current ≤ 16 A per phase)
- EN61000-3-3: 2013 Electromagnetic compatibility (EMC) — Part 3-3: Limits — Limitation of voltage changes, voltage fluctuations and flicker in public low voltage supply systems, for equipment with rated current ≤ 16 A per phase and not subjected to conditional connection
- EN61547: 2009, Equipment for general lighting purposes — EMC immunity requirement

**APPLICATION:**

- Flexible wiring
- IP61 Rated
- Maximum case temperature 194°F/90°C
- Maximum ambient temperature 176°F/80°C
- Minimum starting temperature 0°F/-18°C
- Lamp Starts >50,000 Starts
- Remote Mounting 18 ft. Max. Lead Length, 18AWG
- 2.5 second preheat time

**SAFETY/STANDARDS:**

- UL/935 Listed (Class P, Type 1 Outdoor)
- cUL (CSA/C22.2 Certified)
- CE Marking
- RoHS Compliant
- No PCB's
- Steel Enclosure
- Robertson Patented All\*Star and IEC 61547-2-3 EOL Protection for:
  - Open filaments
  - High lamp voltage
  - Lamp rectification
  - Limited restrike attempts
  - Low input voltage

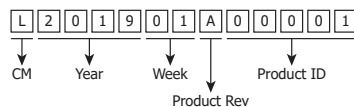
**LED SPECIFICATIONS:**

LED	Recommended Max. LED Rating	Output Voltage (Vdc)	Output Current (mA)
Power	2.0V, 20mA	2.0	1.0
Lamp	2.0V, 20mA	2.0	2.0

Click on image to view 3D model  
(Download and Open in [Adobe Reader 7](#) or later)



**Date Code Decoder**



**WARRANTY:**

Robertson Worldwide warrants to the purchaser that this product will be free from defects in material or workmanship for a period of 5 years from date of manufacture when properly installed and under normal condition of use. Specifications subject to change without notice.  
For more information on Robertson Worldwide products, visit [www.RobertsonLighting.com](http://www.RobertsonLighting.com)

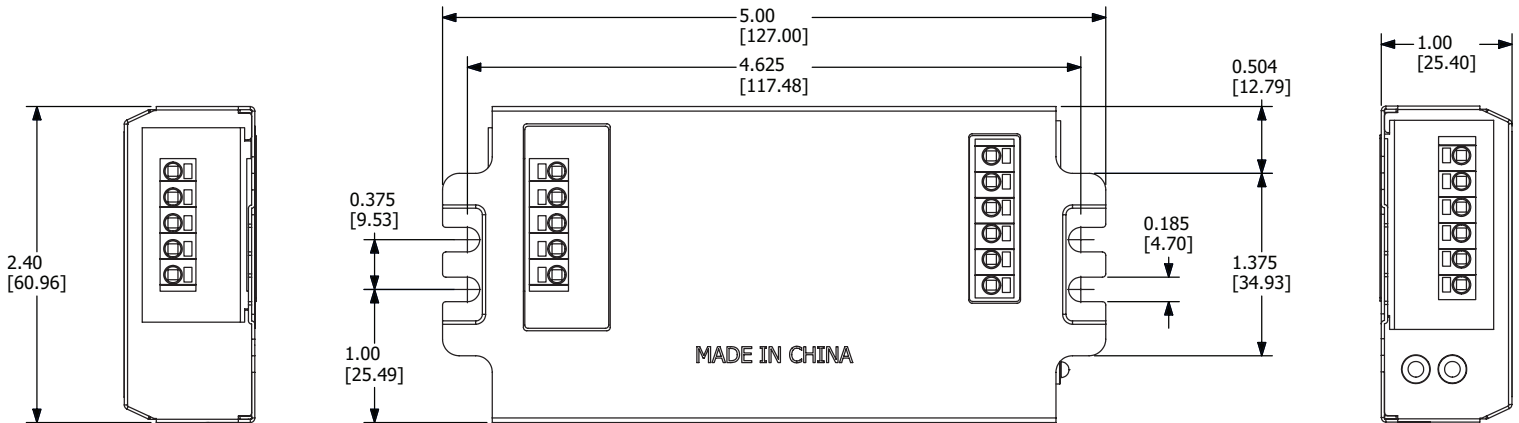
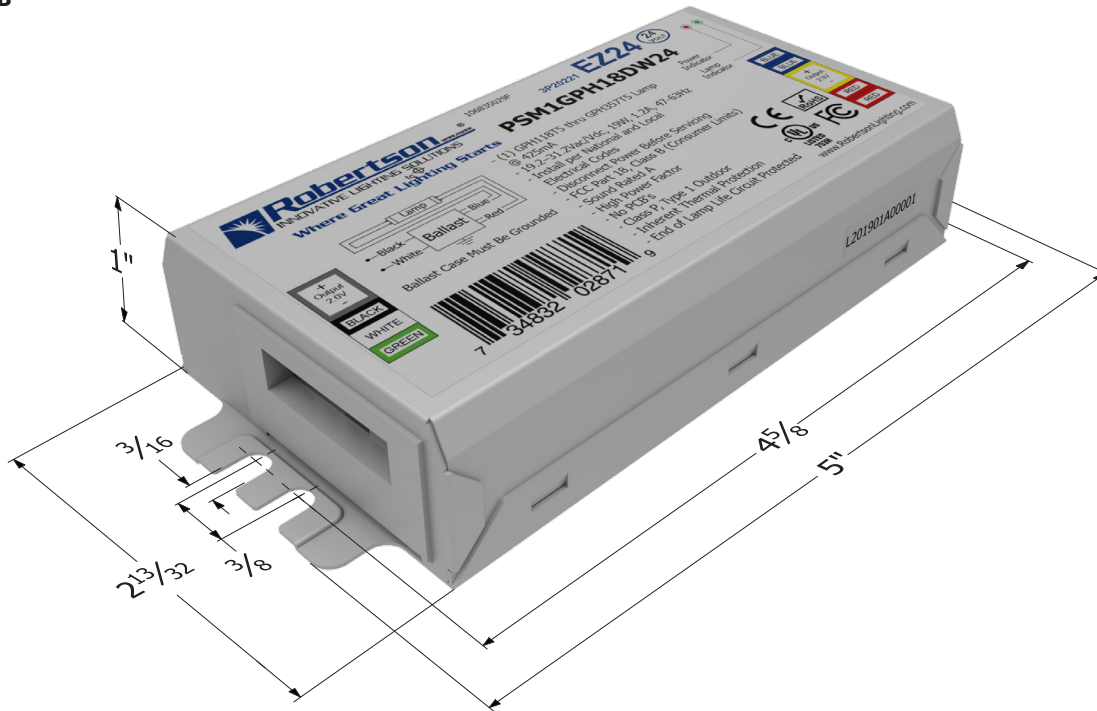
**EZ24  
PSM1GPH18DW24**

Ballast Type:	Electronic
Input Voltage:	19.2-31.2Vac/Vdc
Input Frequency:	47-63Hz

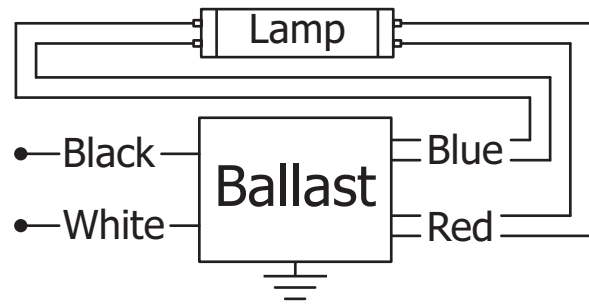
Starting Method:	Program Start
Lamp Connection:	Series

Unit Color:	White
Unit Weight:	0.80 lbs.

**CASE STYLE: CS-28B**



**WIRING DIAGRAM: WD-003F**



**WARRANTY:**  
Robertson Worldwide warrants to the purchaser that this product will be free from defects in material or workmanship for a period of 5 years from date of manufacture when properly installed and under normal condition of use. Specifications subject to change without notice.  
For more information on Robertson Worldwide products, visit [www.RobertsonLighting.com](http://www.RobertsonLighting.com)