

PROJECT NAME: _____ CAT. #: _____

NOTES: _____ FIXTURE SCHEDULE: _____

LSE Linear Strip - Value Series

Wattage and Color Selectable



Product Description:

Maxlite's new LSE Linear Strips are a Value Series introduction for industrial LED strips featuring field-selectable wattages & CCT (3500k - 4000k - 5000k). Available in 4-foot and 8-foot lengths, these DLC certified strips deliver unparalleled value, boasting the most lumens per dollar. Each SKU presents nine versatile options, ensuring comprehensive coverage for distributors and a wide range of projects. The sleek 2-inch profile and evenly diffused lens make the LSE Series an ideal solution for diverse settings, from commercial, industrial, retail and even residential applications.

Features:

- CCT and Wattage selectable (9 possible combinations with each fixture)
- 0-10V dimming standard
- CRI: >80
- Universal voltage 120-277V
- L70 lumen maintenance of 50,000 hours
- Sheet metal (steel) housing and PMMA lens for smooth diffused distribution
- Operating temperature: -4°F to 122°F
- Default setting for WCS models is set to lower wattage and 4000K
- UL listed - Suitable for damp locations

Ordering Structure

FAMILY	-	SIZE	VOLTAGE	WATTAGE SELECT ¹	CCT SELECT ¹	BATTERY BACK UP
LSE= Linear Strip Value Series	-	4= 48" 8= 96"	U= 120-277V	34W= 34W/38W/45W 55W= 55W/60W/ 65W	CS= Color Selectable (3500K/4000K/5000K)	[BLANK]= None EM= Battery Back up

¹ Default setting for WCS models is set to lowest wattage and 4000K

Stocked Items

ORDER CODE	MODEL NUMBER	DLC PRODUCT ID#	DLC CLASSIFICATION	DLC CATEGORY
111027	LSE-4U34WCS	S-V72475	Standard	Direct Linear Ambient Luminaires
111022	LSE-8U55WCS	S-S8PMWZ	Standard	Direct Linear Ambient Luminaires



5-year standard warranty with labor allowance (further details available at www.maxlite.com/warranties)

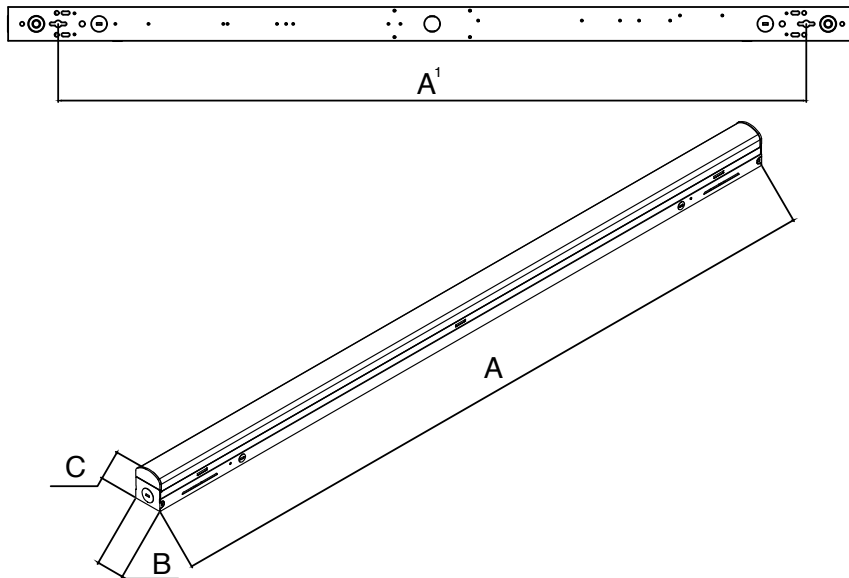
LSE Linear Strip - Value Series Wattage and Color Selectable

Accessories (SOLD SEPARATELY)

ORDER CODE	MODEL NUMBER	DESCRIPTION	IMAGE
111399	LSE-WG4802	WIREGUARD 4FT LSE STRIP 48IN X 2IN	
111400	LSE-WG9602*	WIREGUARD 8FT LSE STRIP 96IN X 2IN (2PC OF 4FT WG)	
111397	LSE-PLATEKIT	CONNECTING BRACKET/ PLATE KIT LSE STRIP, WHITE FINISH	
111398	LSE-CBKT	CORNER BRACKET KIT FOR LSE	
74138	MLCHKLSU15	Cable Kit 15' Loop X Toggle Y 1 Pair	
108384	CWHD-48W ***	CONNECTING WIRE HARNESS - DIMMING 4FT WHITE INCLUDES ADDITIONAL FEMALE CONNECTOR	
108383	CWHP-48W ***	CONNECTING WIRE HARNESS - POWER 4FT WHITE INCLUDES ADDITIONAL FEMALE CONNECTOR	

Product Dimensions

PRODUCT	A (L)	A ¹	B (W)	C (H)
LSE-4U34WCS	47.3"	41.7"	1.9"	2.4"
LSE-8U55WCS	94.2"	88.6"	1.9"	2.4"





LSE Linear Strip - Value Series

Wattage and Color Selectable

Specifications

Specifications	LSE-4U34WCS			LSE-8U55WCS		
	4'			8'		
Size	4'			8'		
Nominal Wattage (W)*	34W	38W	45W	55W	60W	65W
Lumens Delivered* (lm)	4620, 4960, 4690	5050, 5430, 5130	5850, 6300, 5940	7480, 8030, 7590	7980, 8580, 8100	8450, 9100, 8580
Nominal Efficacy* (lm/W)	136, 146, 138	133, 143, 135	130, 140, 132	136, 146, 138	133, 143, 135	130, 140, 132
Lumens Delivered at BBU mode (lm)	1040lm - for 90 minutes, when fully charged					
Color Temperature (K)*	3500K, 4000K, 5000K					
CRI	≥ 80					
Calculated L70 Lumen Maintenance	≥50,000 Hrs					
Dimming Technology	0-10V					
Dimming Range	10-100%					
Input Voltage	120-277V AC					
Power Factor	≥ 0.90					
Housing	Steel Sheet					
Diffuser	PMMA Oval					
Beam Angle	110°					
Surge Protection	2.5 KV					
Operating Temperature	-4°F to 122°F (-20°C to 50°C), except BBU models. BBU models: 32°F to 122°F (0°C to 50°C)					
Humidity	10-85% RH, non-condensing					
Certification	ULus listed, FCC, RoHs Complaint					
Qualifications	DLC Standard					
Environment	Damp locations					
Warranty	5 Years warranty. Check maxlite.com/warranties for details					

* Fixtures are set to lowest wattage and 4000K as default factory setting

** Lumens delivered at BBU mode varies based on wattage and CCT setting

FCC Statement

This device complies with part 15 of the FCC Rules, Operation is subject to the following two conditions: (1) This device may not cause harmful interference, and (2) this device must accept any interference received, including interference that may cause undesired operation.