

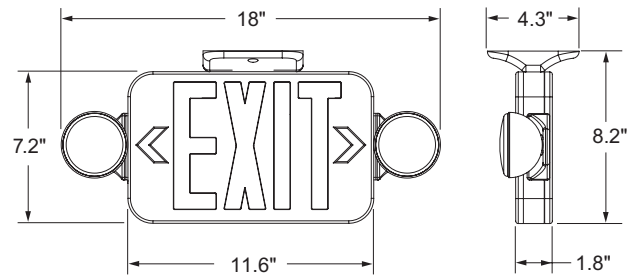
The slim, universal red/green LED QCRS combination exit/emergency unit combines LED exit signage with fully adjustable, round LED lamp heads. This contemporary design offers long-life dependable service in multiple field-selectable configurations and matches the **QMR** round head emergency unit and/or the **QXS** exit sign. The QCRS easily mounts above doors and in restricted spaces to fit any application. A snap-in canopy is included for easy top mount installations. Each unit ships with an extra stencil face as well as red and green diffusers.

FEATURES & BENEFITS

- Universal, field-selectable red/green LEDs and color matched diffusers eliminates need to stock both colors
- Universal field-selectable single-/double-face
- Two (2) 1.5W fully adjustable round heads with long-lasting high-intensity LED lamps
- Easy snap-out, field-selectable chevrons
- Suitable for Damp Locations
- California Energy Commission (CEC) Title 20 Compliant

SPECIFICATIONS

- Illumination:** Legend: Field-selectable red or green LEDs, includes color matched diffusers
Lamps: Two (2) fully adjustable long-life, high-intensity LED lamp heads, 1.5W per head
- Housing:** Injection-molded UL 94 V-0 flame-retardant, high-impact resistant thermoplastic enclosure
- Electrical Input:** 120/277VAC Dual primary, 60Hz
- Battery:** Maintenance-free 3.6V NiCad battery
- Operating Temp:** 0°C to 40°C (32°F to 104°F)
- Run Time:** 90 Minute emergency run time, 24 hour recharge time
- Legend:** Fully illuminated 6" characters with 3/4" stroke
- Mounting:** Ceiling or wall mount
- Finish:** White
- Certifications:** UL 924 Listed for Damp Locations
Meets NFPA 101 Life Safety Code, NEC, OSHA
California Energy Commission (CEC) Title 20 Compliant
- Warranty:** Any component that fails due to a manufacturing defect is guaranteed for three years with a separate five year prorated warranty for NiCad batteries. The warranty does not cover physical damage, abuse or instances of uncontrollable natural forces. See the full Exitronix warranty document for detailed information. (Terms and conditions apply)



ORDERING INFORMATION Example: QCRS-U-WH (Consult factory for additional options or configurations)

Series	Legend Color	Finish	Accessories (Order as separate line item)
QCRS	U = Universal Red/Green Letters	WH = White	WG-L = Wire Guard (Back Mount)

ULTIMATE PERFORMANCE. UNPARALLELED VALUE.

CONSTRUCTION

The QCRS is an injection-molded enclosure constructed of UV-stabilized, UL 94 V-0 flame-retardant, high-temperature, high-impact thermoplastic. Fixtures resist denting, peeling, scratching and corrosion. Toolless access provided for easy maintenance. Universal J-box mounting pattern with keyhole slots and snap-together design provide simple installation. The factory-installed, glare-free thermoplastic lamp heads are fully adjustable and incorporate energy saving, long-life, bright white LEDs to provide optimal center-to-center spacing. An extra stencil face is included for field-selectable single or double face and extra diffusers are included for field-selectable red or green legend. Faces feature NFPA approved field-selectable chevrons.

ILLUMINATION

Fully illuminated 6" letters with 3/4" stroke is achieved with high-output, long-lasting dual color LEDs. Includes red and green color-matched diffusers that eliminate hot spots and striations, providing optimal light output.

EMERGENCY LIGHTS

Two (2) 1.5W high-intensity LED lamp heads.

ELECTRICAL

Input

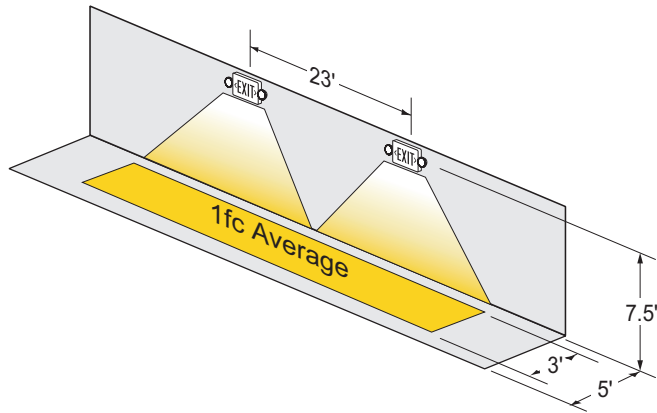
Dual-voltage input 120 or 277VAC @ 60Hz, 4.1W of power consumption

Nickel Cadmium Battery – NiCad

Exitronix nickel cadmium batteries are maintenance free.

SAMPLE PHOTOMETRICS

Using multiple units at a typical 7.5' mounting height with 80/50/20 reflectances on a 3' wide path of egress yields the following center-to-center spacing:



Emergency

The QCRS Series exit will operate for a minimum of 90 minutes during a loss of power with a 24 hour maximum recharge time for the battery.

Solid-State Transfer

The circuit features solid-state switching for emergency lamps, eliminating concerns of damaged contact or mechanical failures associated with relays. The switching circuit detects a loss of line voltage and automatically switches to emergency mode.

Test Button

The test button is easy to locate and provides manual verification of the transfer circuit and emergency lamps.

INSTALLATION

Simple snap-together, universal design allows for faceplate and backplate to be fully interchangeable. Mounting canopy is supplied with all signs and snaps into enclosure with two (2) positive locking tabs.

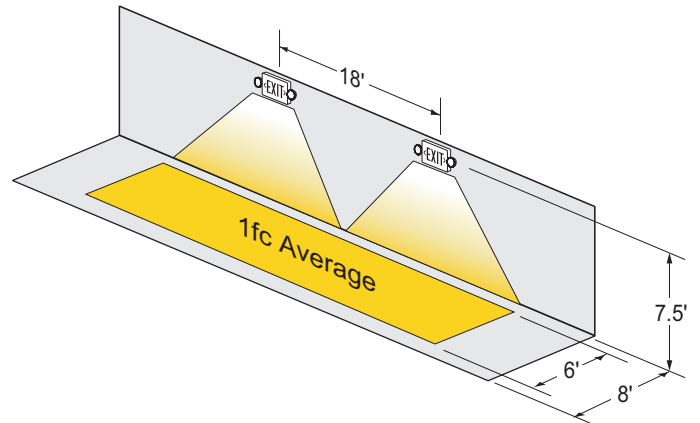
Damp Location Rated

Damp Location Rated fixture that is normally or periodically subject to condensation of moisture in, on or adjacent to, and includes partially protected locations.

CONFORMANCE TO CODES & STANDARDS

The QCRS Series is UL 924 Listed for Damp Locations and meets or exceeds the following: CEC, NEC requirements and NFPA 101.

Using multiple units at a typical 7.5' mounting height with 80/50/20 reflectances on a 6' wide path of egress yields the following center-to-center spacing:



ULTIMATE PERFORMANCE. UNPARALLELED VALUE.