



FHEC30



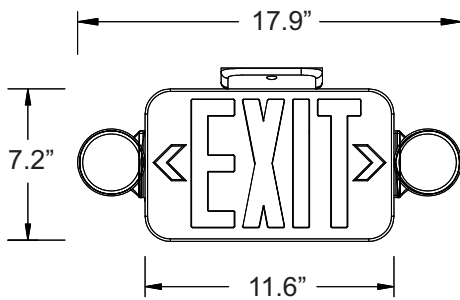
Thermoplastic Micro LED Exit Sign/Emergency Light Combo

- Push-to-test Switch
- LED Charge Indicator
- Universal single face and double face (extra faceplate included)
- Fully adjustable glare free lighting heads
- Ni-Cd battery
- Field replaceable snap out/in chevron directional indicator
- Universal mounting pattern knockout in
- Snap-fit faceplate installs without use of tools
- Dual voltage 120V/277V
- UL 924 listed for damp location

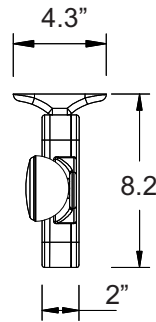
General Specifications

	Red	Green
Input Voltage	120/277VAC	
Input Current (120V)	44mA	30mA
Input Current (277V)	175mA	13mA
Input Power (120V)	5W	3.22W
Input Power (277V)	4.8W	3.18W
Operating Frequency	60Hz	
Operating Ambient Temperature Range (Ta)	20°C to 30°C / 68°F to 86°F	
Overall Size	17.9" L x 8.2" H	
Emergency Operation	90 minutes	
Compliance	cULus 924 Listed Damp Location	
Warranty	5 years from the date of manufacture	

Mechanical Data



FRONT VIEW



SIDE VIEW

NOTE:

- 1) In order to maintain proper operation and warranty coverage, the battery must be recharged once per year prior to installation.
- 2) Spanish "Salida" faceplate also available, must be purchased separately.

Part numbers:

- FHE30-20SFG= Green lettering
- FHE30-20SFR= Red lettering

Part Number Matrix

FHEC30

W

Case Color
W = White
B = Black

R

Letter Color
R = Red
G = Green

H

Options
H = High Lumen